

ES2 SERIES COMBINATION LED RUNNING MAN (STEEL)

INSTALLATION INSTRUCTIONS



For use with:

ES2-RC1SC30B-3

WHAT'S IN THE BOX

- COMBINATION LED RUNNING MAN
- CANOPY KIT
- 3 PICTOGRAM INSERTS

WHAT YOU'LL NEED

- SCREWDRIVER / POWER DRILL
- WIRE CUTTERS
- WIRING SUPPLIES AS PER ELECTRICAL CODE

ATTENTION

Read and Follow All Safety Instructions:

- For Indoor use ONLY
- Do not let power cords touch hot surfaces.
- Do not install near gas or electric heaters.
- Use caution when servicing batteries. Battery acid can cause burns to skin and eyes. If acid is spilled on skin or eyes, flush acid with fresh water and contact a physician immediately.
- Equipment should be mounted in locations and at heights where unauthorized personnel will not readily subject it to tampering.
- The use of accessory equipment not recommended by manufacturer, may cause an unsafe condition, and will void the unit's warranty.
- Do not use this equipment for other than its intended purpose.
- Servicing of this equipment should be performed by qualified service personnel.

IMPORTANT

Before assembling your running man sign, please make sure that you carefully read through this instruction sheet. This unit must be installed by a qualified licensed electrician.

This sign is suitable for use in the following locations: indoor, dry or damp locations.

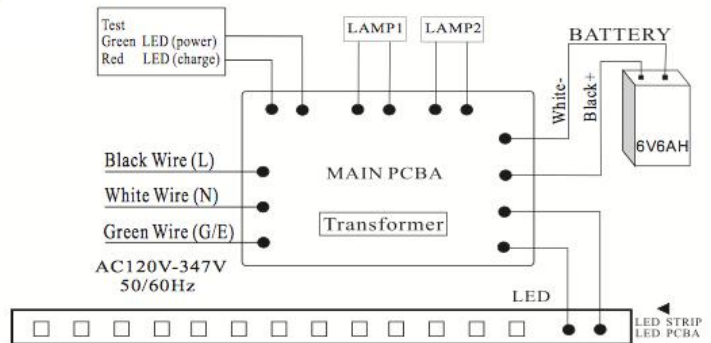
RUNNING MAN OVERVIEW

This modern combination running man sign is constructed with a steel housing, matched with two lightweight thermal plastic LED heads. Universal mounting pattern and keyhole slots are stamped on the back and conduit knockouts are provided on the sides of each unit.

Circuitry

Input Voltage	ES2-RC1SC30B-3
AC 120V 50/60Hz	Input Wattage: 3W
	Input Current: 0.024A
	Efficiency: 0.98P
AC 277V 50/60Hz	Input Wattage: 3.5W
	Input Current: 0.014A
	Efficiency: 0.92P
AC 347V 50/60Hz	Input Wattage: 4W
	Input Current: 0.017A
	Efficiency: 0.92P

Wiring Diagram



TO WALL MOUNT THE RUNNING MAN

1. Extend the unswitched 24 hour AC supply of rated voltage to a junction box (supplied by others) installed in accordance with all applicable codes and standards. Leave a minimum of 8 inches of slack on the wire. This circuit should NOT be energized/live at this time.
2. Remove the faceplate, then remove and discard the canopy kit located inside the sign cavity.
3. Remove the powerpack cover screw and lift the powerpack cover up and out of the way. The front mounted heads are wired to the charger board; these can remain connected if the cover does not interfere with the installation.
4. For installation directly over the electrical junction box, the sign is supplied with universal spider knockouts and keyhole slots stamped into the back of the powerpack. Alternatively, conduit knockouts are stamped into Steel frame rear cover for surface wire conduit connection. Knock out the appropriate hole(s) and bring wires through the hole(s) and into the powerpack (Fig. 2).

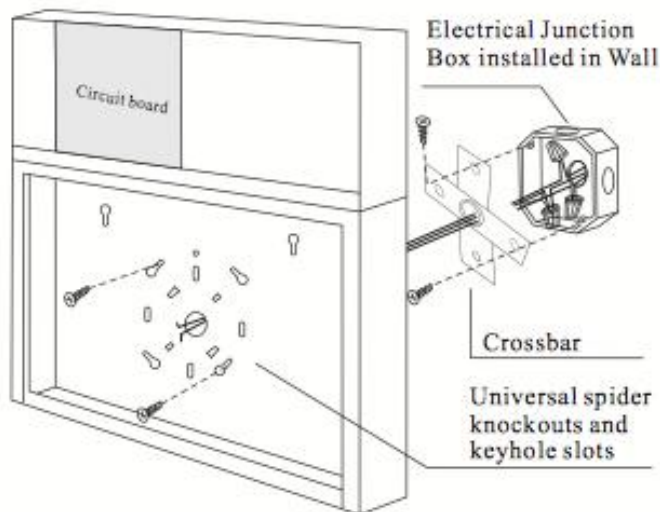
TO WALL MOUNT THE RUNNING MAN

5. Mount the unit securely into place. Do not rely on the electrical connections as the only support for the unit; use supplied keyhole mounting slots.
6. Make proper wiring connections between the AC supply and the unit's transformer: White, Black -Line 120V-347 Volts; Green - Line Earth; (Fig.3). BROWN is provided instead of RED for special voltages (Fig. 4). Ensure to insulate unused wires. Connect ground to supplied green ground wire in accordance with local codes. Reassemble all wire connections and connectors.

CAUTION:

Failure to insulate unused wire may result in a shock hazard or unsafe condition as well as equipment failure.

6. Secure all internal wires, then Replace cover and secure the powerpack cover screw.
7. Change the direction of the pictogram or replace it with another insert so that the running man points correctly towards exit (if required).
8. Turn on AC line voltage supply.
9. Loosen the head set screws and manually position each head to achieve the desired emergency light distribution/ placement. Secure all set screws when complete.



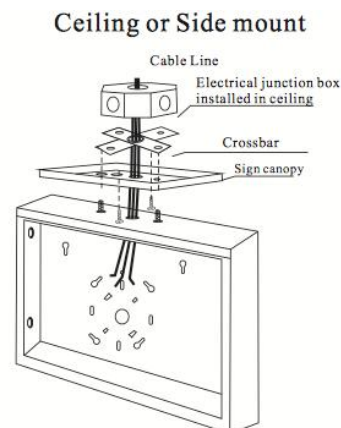
TO CEILING OR FLAG MOUNT THE RUNNING MAN

1. Extend the unswitched 24 hour AC supply of rated voltage to a junction box (supplied by others) installed in accordance with all applicable codes and standards. Leave a minimum of 8 inches of slack on the wire. This circuit should NOT be energized/live at this time.
2. Remove the faceplate, then remove but do not discard the canopy kit located inside the sign cavity.
3. Remove the powerpack cover screw and lift the powerpack cover up and out of the way. The front mounted heads are wired to the charger board; these can remain connected if the cover does not interfere with the installation.
4. If double face is required, remove the backplate, knockout and remove any required directional chevron/arrows from the second faceplate and install it.
5. A single wire pass-thru and pair of canopy screw knockouts are stamped into the top and end of the sign. Knock out the appropriate set of three (3) holes (Fig. 5).
6. Secure the canopy to the sign using the supplied hardware.
7. Feed all wiring into the sign through the wire pass-thru hole.
8. Mount the sign securely to the wall or ceiling. The hole spacing in the canopy is designed to fit most standard electrical junction boxes. A steel, universal spider plate is supplied to allow mounting to alternate size /type boxes (Fig. 5).
9. Mount the unit securely into place. Do not rely on the electrical connections as the only support for the unit. Use the supplied keyhole mounting slots.
10. Make proper wiring connections between the AC supply and the unit's transformer: White, Black -Line 120V-347 Volts; Green - Line Earth; (Fig.3). BROWN is provided instead of RED for special voltages (Fig. 4). Ensure to insulate unused wires. Connect ground to supplied green ground wire in accordance with local codes. Reassemble all wire connections and connectors.

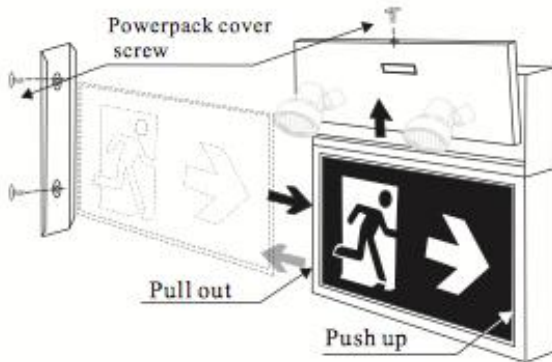
CAUTION:

Failure to insulate unused wire may result in a shock hazard or unsafe condition as well as equipment failure.

6. Secure all internal wires, then mount the sign securely into place.
7. Change the direction of the pictogram or replace it with another insert so that the running man points correctly towards exit (if required).



TO CHANGE THE PICTOGRAM



TO TEST THIS UNIT

1. To Test, depress the TEST Switch. The Main(Green) LED will go out and the connected DC lamps will come on.
2. Release the TEST Switch. DC lamps will be extinguished.
3. A bright the Main(Green) LED light indicates a high charge rate. and off intermittently while the unit is in standby mode (regular AC is present), in order to maintain an optimal battery performance.

TO MAINTAIN THIS UNIT

Most Codes require that the equipment be tested every 30 days for 30 seconds, and that written records be maintained for all test results and repairs. Further, the equipment is to be tested once a year for the required duration as per Code. The battery is to be replaced or the equipment repaired whenever the equipment fails to operate as intended during the duration test. The manufacturer strongly recommends compliance with all Code requirements.