



INSTALLATION INSTRUCTIONS

For use with:

ES2-RH1PC2-6 | ES2-RH1PC4-6

WHAT'S IN THE BOX

- LED EMERGENCY LIGHT

WHAT YOU'LL NEED

- SCREWDRIVER / POWER DRILL
- WIRE CUTTERS
- WIRING SUPPLIES AS PER ELECTRICAL CODE

ATTENTION

Read and Follow All Safety Instructions:

- For Indoor use ONLY
- Do not let power cords touch hot surfaces.
- Do not install near gas or electric heaters.
- Do not use this equipment for other than its intended purpose.
- Servicing of this equipment should be performed by qualified service personnel.

IMPORTANT

Before assembling your remote head LED emergency lights, please make sure that you carefully read through this instruction sheet. This heads must be installed by a qualified licensed electrician.

This LED heads are suitable for use in the following locations: indoor, dry or damp locations.

REMOTE HEAD LED LIGHT OVERVIEW

The ES2-Series Remote Head LED Emergency Lights are available in single or dual-head options, and are constructed of high impact thermoplastic with a clear polycarbonate lens and an aluminum reflector. An adjustable swivel locks each head into position. The heads are designed with a standard canopy for mounting directly onto typical electrical junction boxes.

These Remote LED Heads are compatible with:

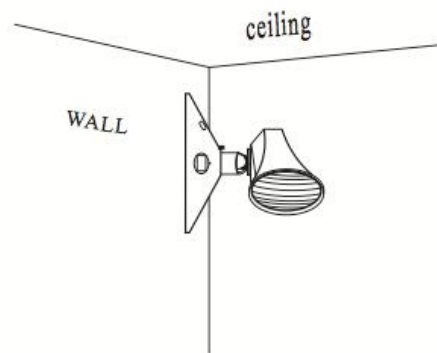
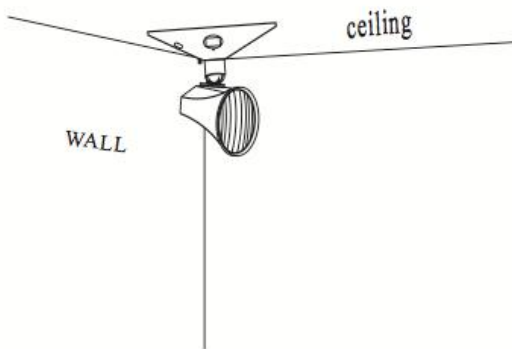
ES2-RC1SC30B-3: Premise LED Self-Powered Combination Running Man

ES2-BU2SC30B-3: Premise LED Emergency Lighting Unit

ES2-BU1SC30B-3: Premise LED Curved Contour Emergency Lighting Unit

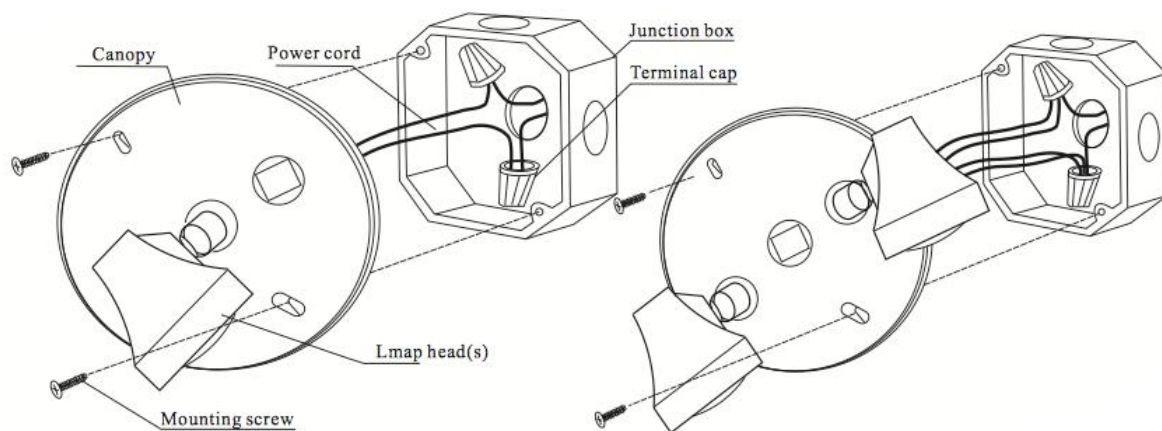
INSTALLATION LOCATIONS

These Remote LED Heads are designed to be installed on ceiling or wall surfaces.



TO INSTALL THE REMOTE LED HEAD

1. Make the appropriate wire connections. Observe the polarity (if required); connect the lamp to the DC supply wires; positive and negative are identified with labels on each wire (when indicated).
2. Install the canopy to the junction box with mounting screws (not included).
3. Install the LED heads gently to avoid breaking the pins.
4. Apply power.



TO ADJUST THE REMOTE LED HEAD

1. To rotate the heads, unscrew the set nut slightly (on the base of the canopy), just enough to let you rotate the heads to the desired position. Then, tighten the set nut to fix the position.
2. To tilt the heads, hold and tilt up or down to the desired position.

