



INSTALLATION INSTRUCTIONS

For use with:

ES2-RM1PC2B-3 | ES2-RM1PC2U-3

WHAT'S IN THE BOX

- LED RUNNING MAN
- UNIVERSAL CANOPY
- 3 PICTOGRAM INSERTS

WHAT YOU'LL NEED

- SCREWDRIVER / POWER DRILL
- WIRE CUTTERS
- WIRING SUPPLIES AS PER ELECTRICAL CODE

ATTENTION

Read and Follow All Safety Instructions:

- Disconnect power before performing work on electrical equipment.
- Do not use outdoors.
- Do not let power cords touch hot surfaces.
- Do not install in hazardous locations or near gas or electric heaters.
- The use of accessory equipment not recommended by manufacturer, may cause and will void the unit's warranty.
- Do not use this equipment for other than its intended purpose.
- Servicing of this equipment should be performed by qualified service personnel.
- Equipment should be mounted in locations and at heights where it will not readily be subjected to tampering by unauthorized personnel.
- Allow battery to charge for 24 hours before first use.

IMPORTANT

Before assembling your running man sign, please make sure that you carefully read through this instruction sheet. This unit must be installed by a qualified licensed electrician.

This sign is suitable for use in the following locations: indoor, dry or damp locations.

RUNNING MAN OVERVIEW

This modern running man sign is developed with unique design, constructed of thermal plastic housing and includes PC pictogram signs for ease of installation. A universal canopy is included for rapid and simple installation.

Circuitry

Input Voltage	ES2-RM1PC2x-3
AC 120V 50/60Hz	Input Wattage: 2W
	Input Current: 0.01A
	Efficiency: 0.96P
AC277V 50/60Hz	Input Wattage: 2.5W
	Input Current: 0.01A
	Efficiency: 0.92P
AC347V 50/60Hz	Input Wattage: 3W
	Input Current: 0.01A
	Efficiency: 0.91P
Emergency UDC	6V-24V: 1.2W

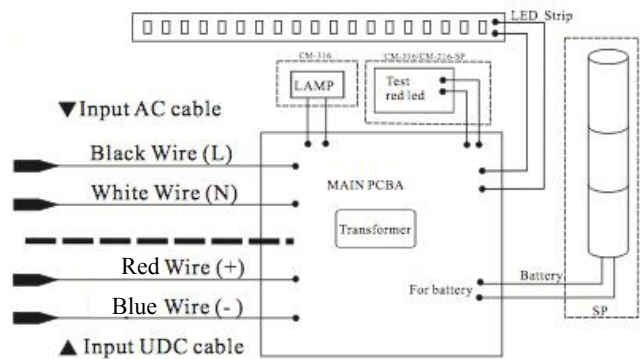
Wiring Diagram

Battery Wiring

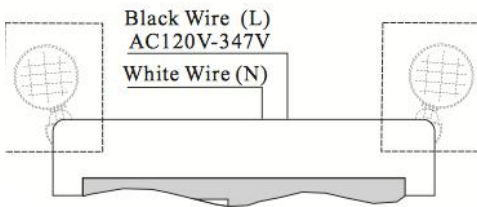
Working voltage: AC120V-347V 50Hz/60Hz
 Black Wire (L)
 White Wire (N)

UDC Wiring

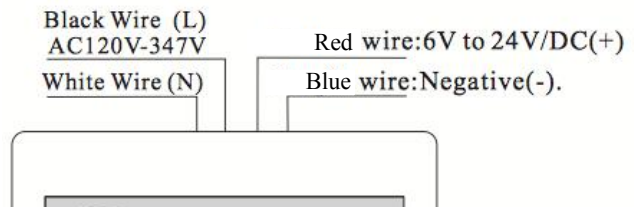
Red wire: 6V to 24V/DC positive(+)
 Blue wire: Negative(-).



BATTERY WIRING

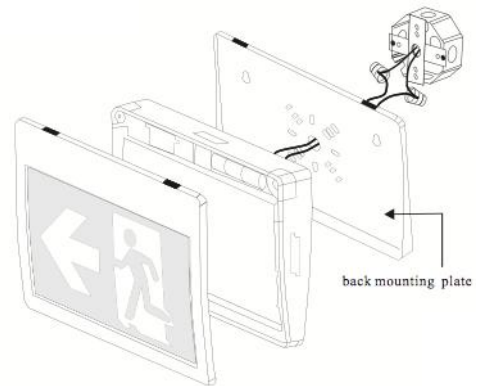


UDC Wiring Diagram



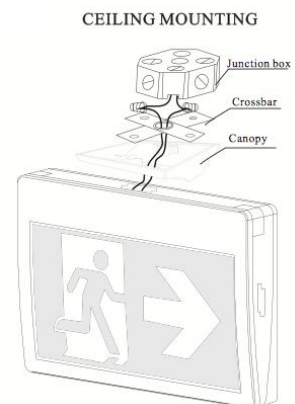
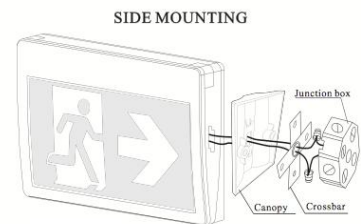
TO WALL MOUNT THE RUNNING MAN

1. Open the front cover using a flat screwdriver.
2. Knockout the appropriate mounting hole cover on the back plate and route the proper wires through the mounting holes out of the housing. Make the appropriate electrical connections inside the J-Box (see Wiring Diagram), then push excess wire into the J-Box and mount the back plate on the wall.
3. Attach the battery connector to the PCB, then put the front panel back onto the unit.
4. Change the direction of the pictogram or replace it with another insert so that the running man points correctly towards exit (if required).

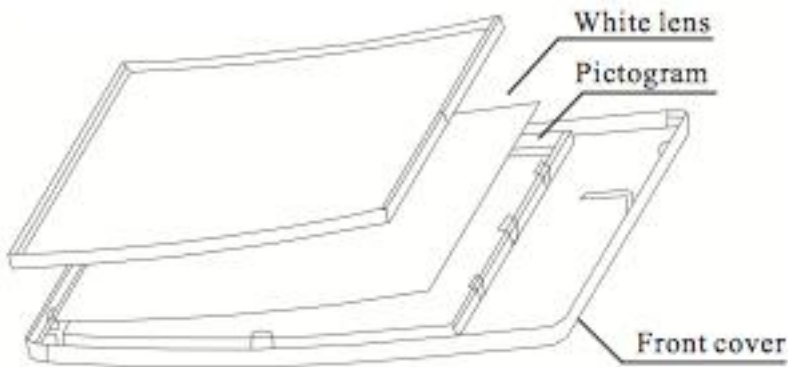


TO CEILING OR FLAG MOUNT THE RUNNING MAN

1. For ceiling or flag mounting, knock out the mounting hole cover on the top or side of the unit, and then insert the canopy attachment.
2. Route the proper wires through mounting hole out of the housing. Make electrical connections inside the junction box (refer to Wiring Diagram).
3. Push excess wires into J-Box, then use screws to tighten the canopy to crossbar so that the canopy attachment is securely fastened and tight against the wall.
4. Change the direction of the pictogram or replace it with another insert so that the running man points correctly towards exit (if required).



TO CHANGE THE PICTOGRAM



TO TEST THIS UNIT

To test, depress test switch. For running man signs the LEDs should remain on under battery power. Allow 20 hours charging before full load testing.

TO MAINTAIN THIS UNIT

None required, however unit should be tested periodically in accordance with NEC, Life Safety and other applicable codes. If unit fails to operate as described, disconnect battery and AC circuit, and check all wiring. Contact either the factory or trained service personnel if further assistance is required.