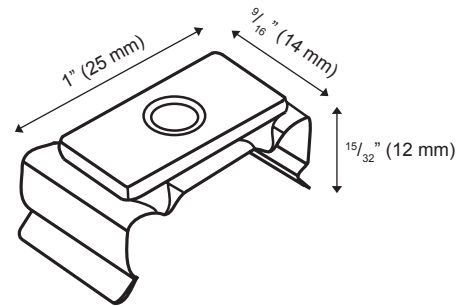


Project	
Date	
Prepared by	
Model #	



PRODUCT INFORMATION	
Model #	LS2-MAGCLIP
Description	Magnetic Mounting Clip Kit (3 clips per kit)
Material	Steel
Use	Direct mount LS2 Series strips to a flat steel surface magnetically, without the use of screws
Dimensions	L: 1" (25 mm) x W: $\frac{9}{16}$ " (14mm) x H: $\frac{15}{32}$ " (12 mm)
Compatibility	LS2-9*, LS2-14*, LS2-23*: 2 clips required LS2-34*: 3 clips required LS2-47*: 4 clips required



PRODUCT INFORMATION	
Model #	LS2-MAGCLIP-90
Description	90° Magnetic Mounting Clip Kit (3 clips per kit)
Material	Steel
Use	Side/wall mount LS2 Series strips to a flat steel surface magnetically, without the use of screws
Dimensions	Clip Dimensions L: $1 \frac{5}{16}$ " (34 mm) x W: $\frac{9}{16}$ " (14mm) x H: $\frac{3}{8}$ " (10 mm) 90° Elbow Dimensions L: $1 \frac{1}{16}$ " (18 mm) x H: $\frac{7}{8}$ " (23 mm)
Compatibility	LS2-9*, LS2-14*, LS2-23*: 2 clips required LS2-34*: 3 clips required LS2-47*: 4 clips required

