



Model #	
Type	
Project	
Date	

FL4C-SERIES COMPACT FLOOD LIGHT

The FL4C-series Compact Flood is a low profile LED flood light designed to illuminate building perimeters, walkways and landscapes or for wall graze and wall wash accent lighting. Multiple mounting options available



HIGHLIGHTS

- Up to 137 lm/W
- 80+ CRI
- 0-10V & 1-10V dimmable
- Die-cast aluminum
- Durable polycarbonate lens
- Low-profile and versatile light-weight design
- Designed to work in -40°C/-40°F environments
- Pre-installed 5 foot whip for easy installations
- Easily mounts to waterproof j-box, wall, pole or tenon
- Surge protection included
- Backed by our worry-free 5 year warranty

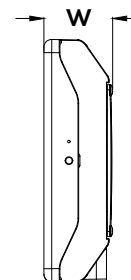
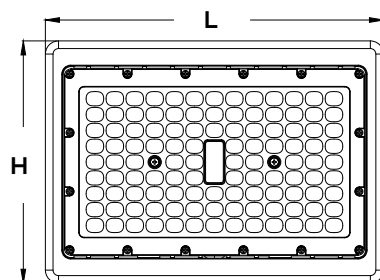


APPLICATIONS

Designed for building perimeters, walkways, landscapes and wall wash accent lighting.

DIMENSIONS

VOLTAGE (V)	POWER (W)	L (inches/mm)	W (inches/mm)	H (inches/mm)	WEIGHT (kg/lbs)
120-277	30	7 1/8" (181mm)	5 3/16" (131mm)	1 3/4" (44mm)	1.05 kg / 2.13 lbs
	50	8 1/2" (216mm)	6 1/8" (156mm)	1 15/16" (49mm)	1.55 kg / 3.42 lbs
	70	10 7/16" (265mm)	7 1/2" (190mm)	2 1/8" (54mm)	2.40 kg / 5.29 lbs
	90				



ORDERING GUIDE

SERIES	-	POWER (W)	-	CCT	-	VOLTAGE / DIMMING
FL4C	-	30: 30W 50: 50W 70: 70W 90: 90W	-	4: 4000K	-	1: 120-277V, 0-10V dimming 1: 120-277V, 1-10V dimming (70W, 90W)

MODEL SELECTION

SERIES	-	POWER (W)	-	CCT	-	VOLTAGE
FL4C	-	30	-	4	-	1

*Note: add factory-installed options in sequence listed

ACCESSORIES SELECTION

EXAMPLE: FL4C-304-1

ORDER	MODEL #	DESCRIPTION
	FL4C-KN	1/2" NPT Knuckle mount for FL4C (30W, 50W models)
	FL4C-KN-L	1/2" NPT Knuckle mount for FL4C (70W, 90W models)
	FL4C-YK-S	Yoke mount for FL4C (30W models)
	FL4C-YK-M	Yoke mount for FL4C (50W models)
	FL4C-YK-L	Yoke mount for FL4C (70W, 90W models)
	FL4C-TR	Trunnion mount for FL4C (30W, 50W models)
	FL4C-TR-L	Trunnion mount for FL4C (70W, 90W models)
	FL4C-SF-S	Slip fitter mount for FL4C with U-Bracket (30W models)
	FL4C-SF-M	Slip fitter mount for FL4C with U-Bracket (50W models)
	FL4C-SF-L	Slip fitter mount for FL4C (70W, 90W models)
	FL4C-MA-S	Mounting arm for FL4C with U-Bracket (30W models)
	FL4C-MA-M	Mounting arm for FL4C with U-Bracket (50W models)
	FL4C-MA-L	Mounting arm for FL4C with U-Bracket (70W, 90W models)

PRODUCT FEATURES

CONSTRUCTION

- Matte black die-cast aluminum
- 1/2" NPT threaded knockouts
- 5-foot black 18/5 cord
- Polycarbonate lens

ELECTRICAL

- "-1" models designed to operate between 120-277V
- Power Factor >0.9
- THD <20%
- 0-10V dimming, dim-to-off (30W, 50W models)
- 1-10V dimming, dim to 10% (70W, 90W models)

LISTINGS & RATINGS

- DLC Premium
- cULus / cETLus
- Wet location
- IP65 rated
- IK08 rated
- Listed for use in:
-40°C to 50°C (-40°F to 122°F)

INSTALLATION

- 1/2" NPT Knuckle, Yoke, Trunnion, Slip Fitter, Mounting Arm

RATED LIFE & WARRANTY








- LED system: >50,000 hours at L70
- 5 year warranty
(visit premiseled.com/warranty/)

ORDERING INFORMATION

INPUT VOLTAGE	POWER (W)	CCT (K)	MODEL NUMBER	DELIVERED LUMENS (lm)	EFFICACY (lm/W)	DLC PREMIUM
120-277V	30W	4K	FL4C-304-1	4,116 lm	136.7 lm/W	PT5KI22F
	50W	4K	FL4C-504-1	6,963 lm	136.9 lm/W	PDD958PG
	70W	4K	FL4C-704-1	9,742 lm	136.2 lm/W	PZRFL9P6
	90W	4K	FL4C-904-1	12,472 lm	135.3 lm/W	PKLPYOEW

OPTIONAL ACCESSORIES

MOUNTING ACCESSORIES

IMAGE	DESCRIPTION	MODEL NUMBER
	1/2" NPT Knuckle mount for FL4C	FL4C-KN (30W, 50W models) FL4C-KN-L (70W, 90W models)
	Yoke mount for FL4C	FL4C-YK-S (30W models) FL4C-YK-M (50W models) FL4C-YK-L (70W, 90W models)
	Trunnion mount for FL4C	FL4C-TR (30W, 50W models) FL4C-TR-L (70W, 90W models)
	Slip fitter mount for FL4C with U-Bracket	FL4C-SF-S (30W models) FL4C-SF-M (50W models)
	Slip fitter mount for FL4C	FL4C-SF-L (70W, 90W models)
	Mounting arm for FL4C with U-Bracket	FL4C-MA-S (30W models) FL4C-MA-M (50W models)
	Mounting arm for FL4C	FL4C-MA-L (70W, 90W models)

PACKING INFORMATION

MODEL	CASE QUANTITY	PALLET QUANTITY
30W	CASE OF 8	-
50W	CASE OF 6	-
70W	CASE OF 5	-
90W	CASE OF 5	-

ELECTRICAL INFORMATION

INPUT VOLTAGE	POWER (W)	APPARENT POWER (VA)	SYSTEM POWER (W)	CURRENT DRAW AT 120V _{ac}	CURRENT DRAW AT 208V _{ac}	CURRENT DRAW AT 240V _{ac}	CURRENT DRAW AT 277V _{ac}	CURRENT DRAW AT 347V _{ac}	CURRENT DRAW AT 480V _{ac}
120-277V	30W	27.4VA	30.1W	0.227A	0.132A	0.117A	0.104A	-	-
	50W	49.0VA	50.8W	0.404A	0.237A	0.210A	0.188A	-	-
	70W	73.0VA	71.5W	0.604A	0.348A	0.304A	0.267A	-	-
	90W	91.3VA	92.1W	0.757A	0.434A	0.379A	0.332A	-	-

INPUT VOLTAGE	WATTAGE (W)	INRUSH CURRENT (A)	DRIVER SURGE PROTECTION
120-277V	30W	50A	L-N: 2.5kV, L/N-GND: 2.5kV
	50W	50A	
	70W	120A	L-N: 4kV, L/N-GND: 2kV
	90W	170A	

Specifications and dimensions subject to change without notice.

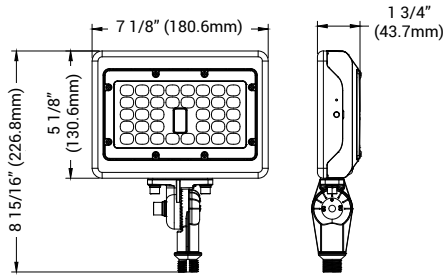
3401 ENTERPRISE PARKWAY
BEACHWOOD, OH USA 44122

80-86 CARRIER DRIVE
TORONTO, ON CANADA M9W 5R1

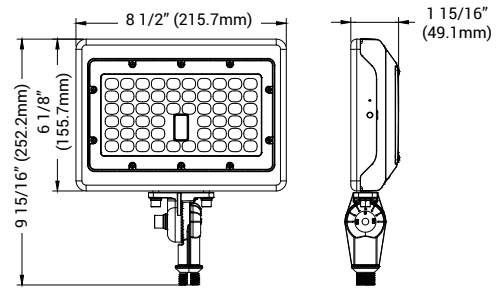
MOUNTING DIMENSIONS

KNUCKLE MOUNT

FL4C-KN

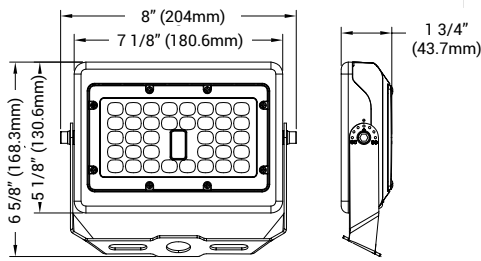


FL4C-KN-M

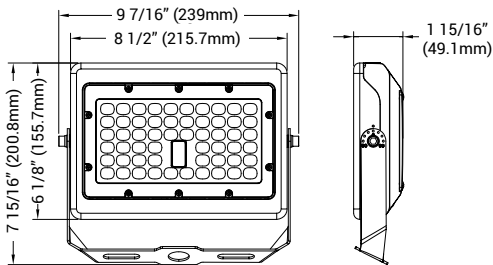


YOKE MOUNT

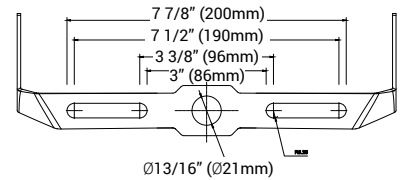
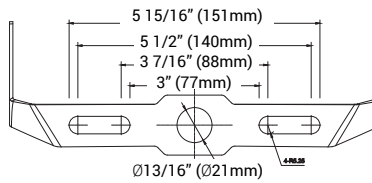
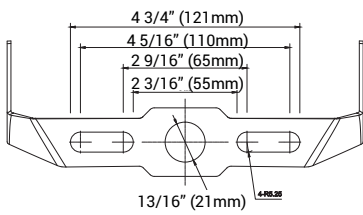
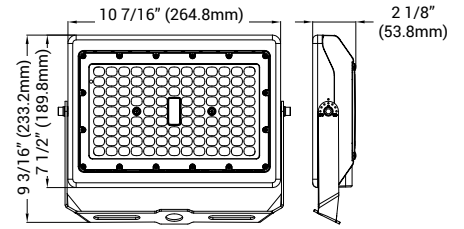
FL4C-YK-S



FL4C-YK-M



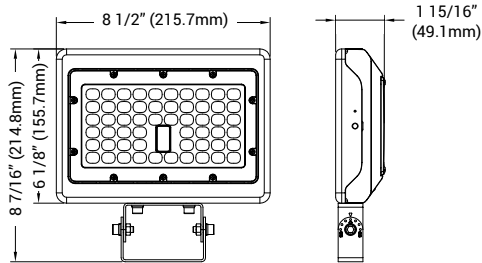
FL4C-YK-L



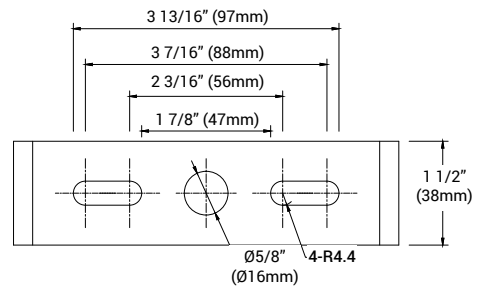
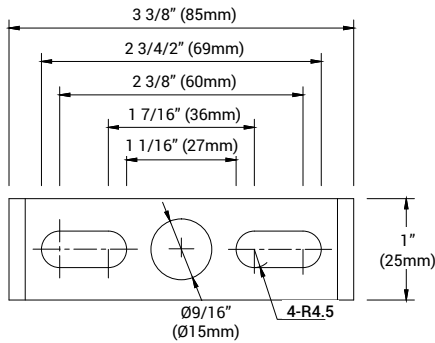
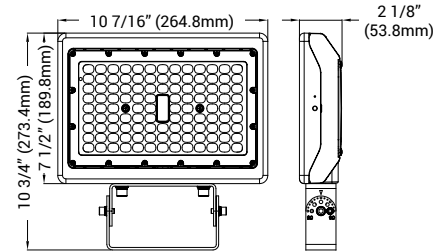
MOUNTING DIMENSIONS

TRUNNION MOUNT

FL4C-TR

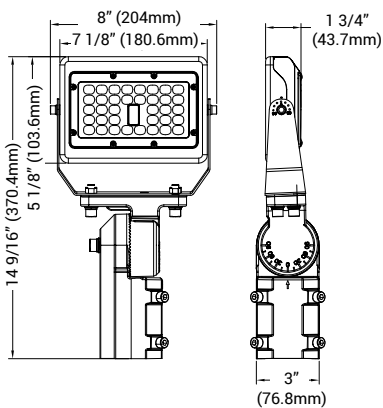


FL4C-TR-L

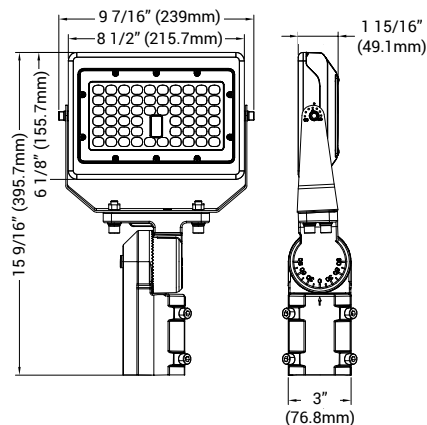


SLIP FITTER

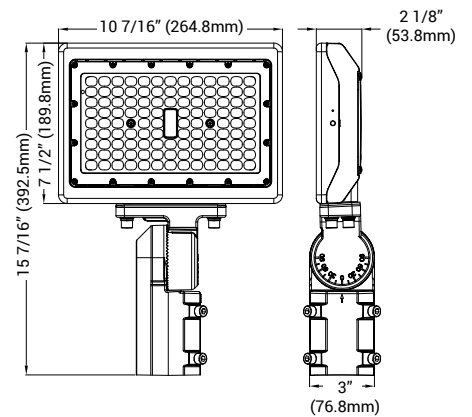
FL4C-SF-S



FL4C-SF-M



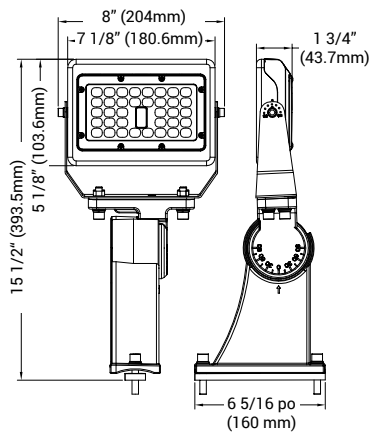
FL4C-SF-L



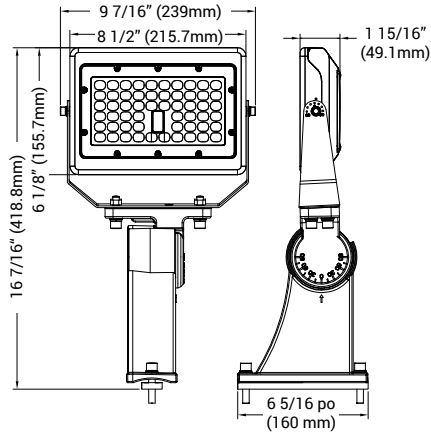
MOUNTING DIMENSIONS

MOUNTING ARM

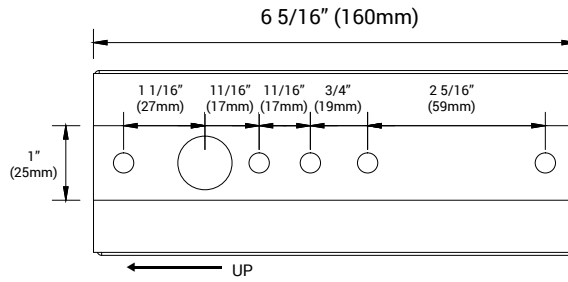
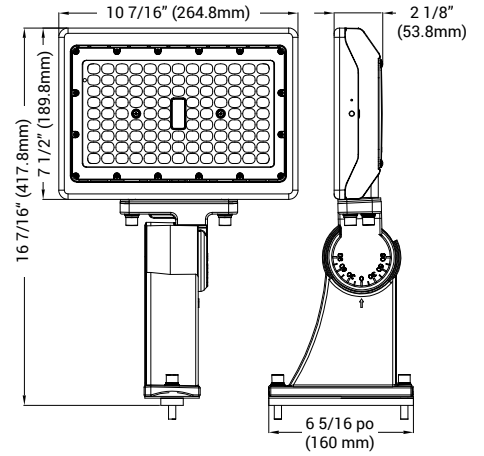
FL4C-MA-S



FL4C-MA-M



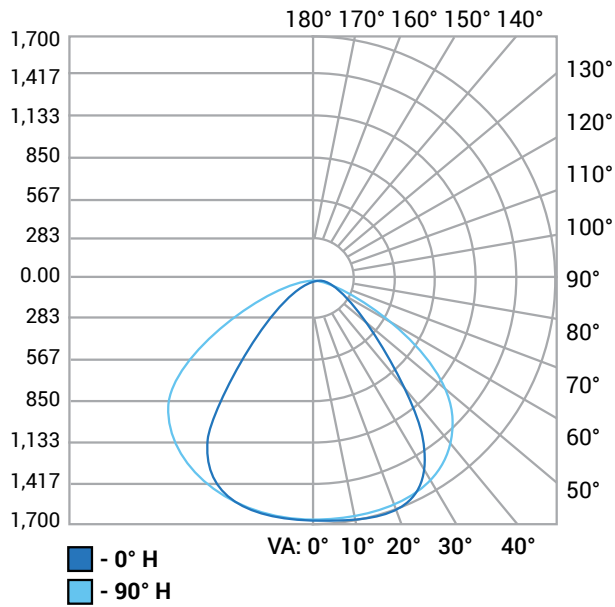
FL4C-MA-L



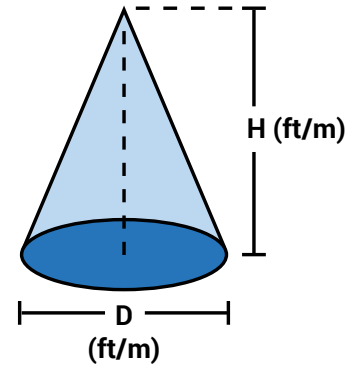
PHOTOMETRIC INFORMATION

POLAR CANDELA DISTRIBUTION

WATTAGE
30W
VOLTAGE
120-277V



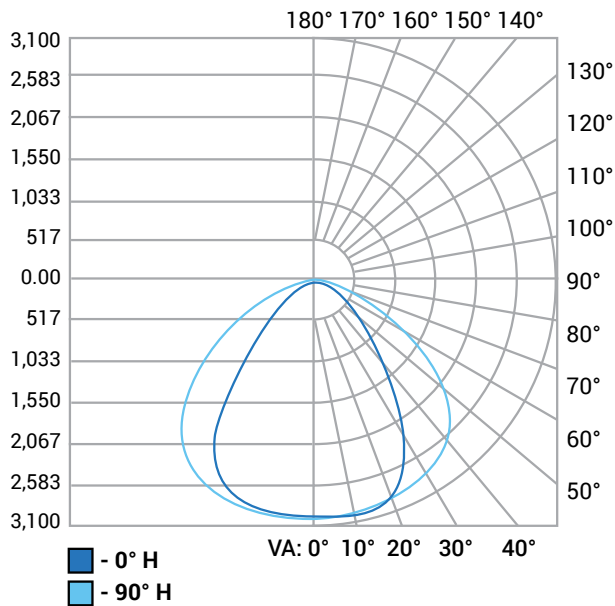
ILLUMINANCE AT A DISTANCE



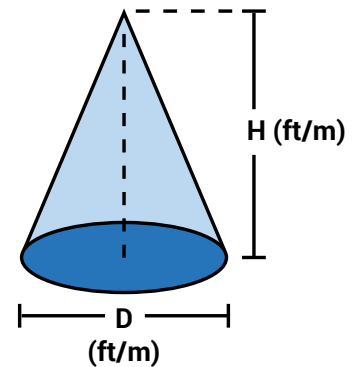
H (ft/m)	LUX	FC	D (ft/m)
6.6' (2m)	413.1	38.4	20.4' (6.2m)
9.8' (3m)	183.6	17.1	30.6' (9.3m)
13.1' (4m)	103.3	9.6	41.1' (12.5m)
16.4' (5m)	66.1	6.1	51.2' (15.6m)
19.7' (6m)	45.9	4.3	61.4' (18.7m)

POLAR CANDELA DISTRIBUTION

WATTAGE
50W
VOLTAGE
120-277V



ILLUMINANCE AT A DISTANCE



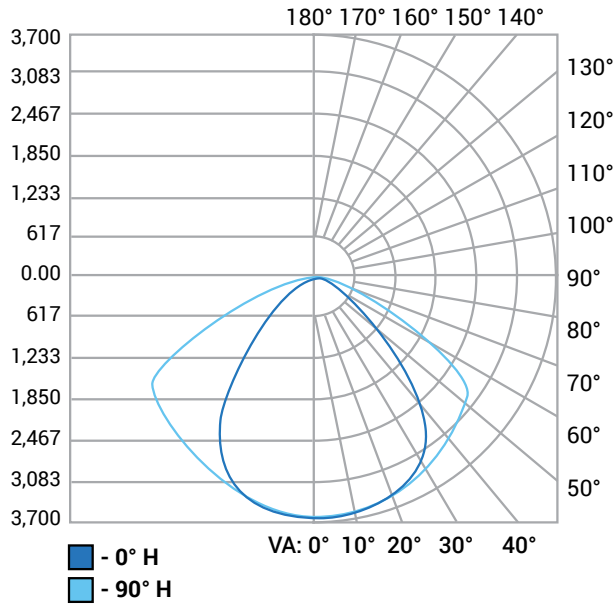
H (ft/m)	LUX	FC	D (ft/m)
6.6' (2m)	757.8	70.4	20.4' (6.2m)
9.8' (3m)	336.8	31.3	30.6' (9.3m)
13.1' (4m)	189.4	17.6	40.7' (12.4m)
16.4' (5m)	121.2	11.3	51.0' (15.5m)
19.7' (6m)	84.2	7.8	61.1' (18.6m)

*Based on operation at 4000K & 120V.

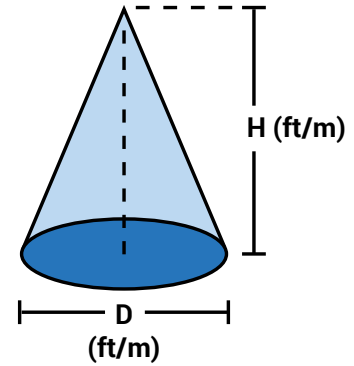
PHOTOMETRIC INFORMATION

POLAR CANDELA DISTRIBUTION

WATTAGE
70W
VOLTAGE
120-277V



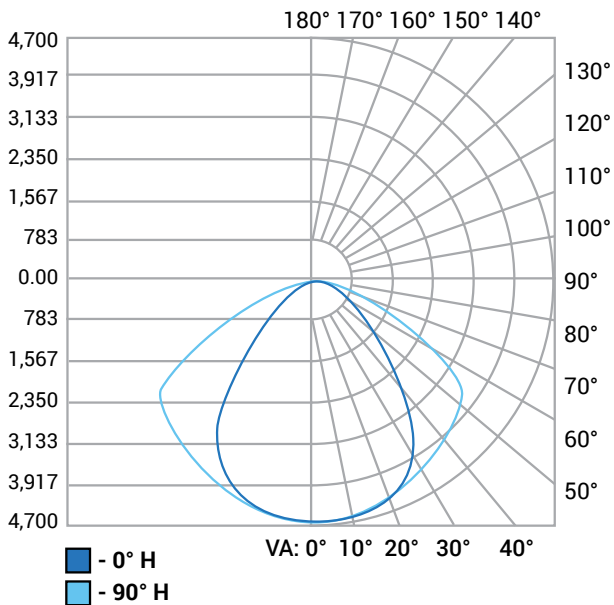
ILLUMINANCE AT A DISTANCE



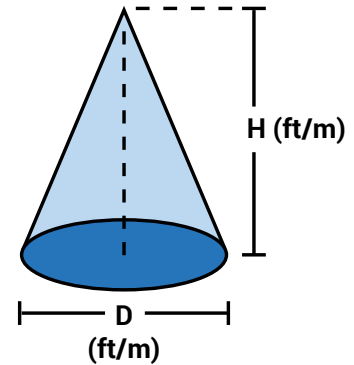
H (ft/m)	LUX	FC	D (ft/m)
6.6' (2m)	918.7	85.4	26.0' (7.9m)
9.8' (3m)	408.3	37.9	38.8' (11.8m)
13.1' (4m)	229.7	21.3	51.6' (15.7m)
16.4' (5m)	147.0	13.7	64.7' (19.7m)
19.7' (6m)	102.1	9.5	77.5' (23.6m)

POLAR CANDELA DISTRIBUTION

WATTAGE
90W
VOLTAGE
120-277V



ILLUMINANCE AT A DISTANCE



H (ft/m)	LUX	FC	D (ft/m)
6.6' (2m)	1,154.8	107.3	26.3' (8.0m)
9.8' (3m)	513.2	47.7	39.1' (11.9m)
13.1' (4m)	288.7	26.8	52.2' (15.9m)
16.4' (5m)	184.8	17.2	65.4' (19.9m)
19.7' (6m)	128.3	11.9	78.5' (23.9m)

*Based on operation at 4000K & 120V.