



CF3 SERIES GARAGE LUMINAIRE WITH MOTION SENSOR

INSTALLATION INSTRUCTIONS



For use with:

CF3 Series Garage Luminaires

CF3-404-MS-1 | CF3-404-MS-2
CF3-604-MS-1 | CF3-604-MS-2
CF3-405-MS-1 | CF3-405-MS-2
CF3-605-MS-1 | CF3-605-MS-2

WHAT'S IN THE BOX

- CF3 GARAGE LUMINAIRE

WHAT YOU'LL NEED

- SAFETY GLASSES
- WIRE CUTTERS
- WATERPROOF SILICONE

WARNING

- To prevent personal injury or product damage only licensed electricians should install.
- To avoid electrical shock or component damage, disconnect power before attempting installation or servicing.
- This product must be installed in accordance with the national electric code (NEC) and all applicable federal, state/provincial and local electric codes and safety standards.
- Disconnect product and allow cooling prior to any further steps.
- Any alteration or modification of this product is expressly forbidden as it may cause serious personal injury, death, property damage and/or product malfunction.
- To prevent product malfunction and/or electrical shock this product must be properly grounded.
- This luminaire is designed to operate in ambient temperatures ranging from -25°C to 40°C and to be horizontally mounted with the LED board facing downward.

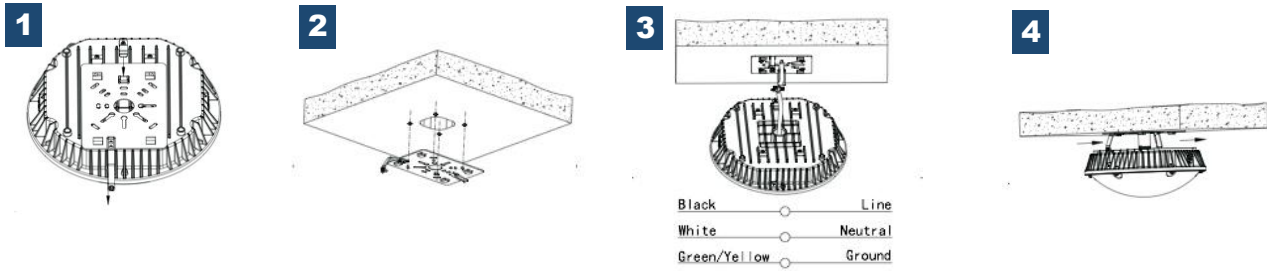
IMPORTANT

Before assembling your fixture, please make sure that you carefully read through this instruction sheet. Consider having your fixture installed by a qualified licensed electrician.

Note: The important safeguards and instructions that appear in this sheet are not meant to cover all possible conditions and situations that may occur. It must be understood that common sense, caution, and care are factors that cannot be built into any product. These factors must be supplied by the person(s) caring for and operating the fixture.

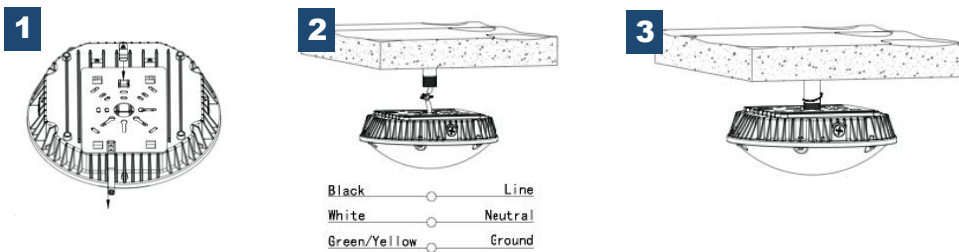
PREMISE LED Inc.
80-86 Carrier Drive
Toronto, ON Canada
M9W 5R1
PREMISELED.COM

TO SURFACE MOUNT WITH J-BOX



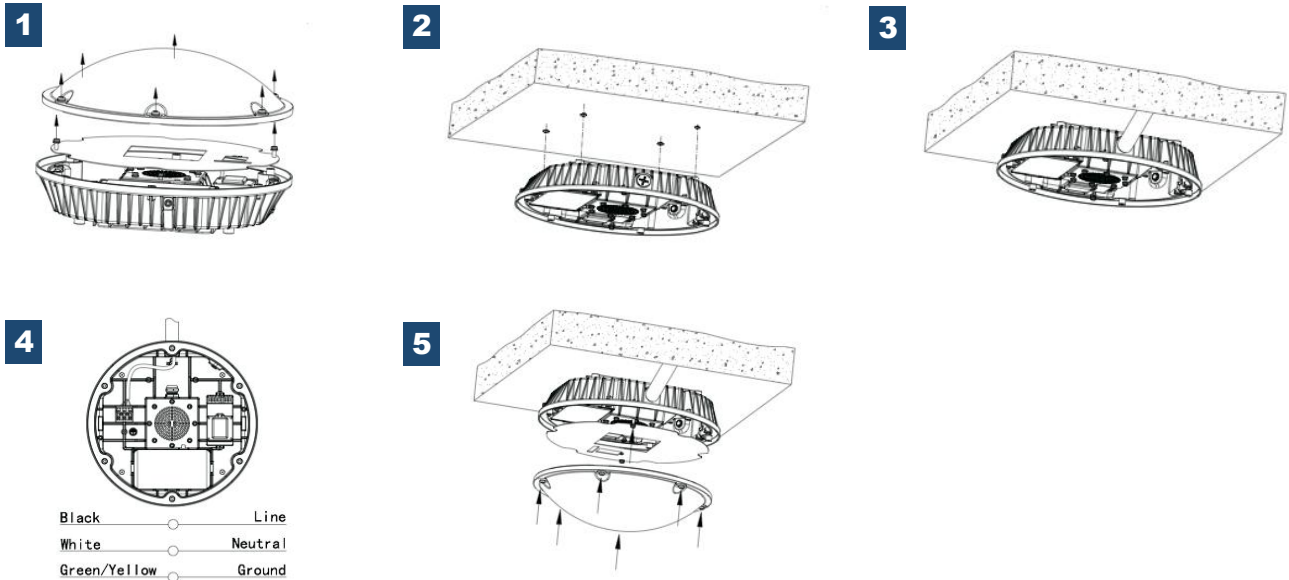
1. Loosen the screw on the side of the housing and pull out the connecting plate.
2. Fix the connecting plate onto the ceiling and thread wire through the center hole.
3. Buckle the connecting plate into the clips and connect the wires based on diagram shown.
4. Slide lamp back into the connecting plate and fix the screw that is removed in step one.

TO PENDANT INSTALL VIA 3/4" CONDUIT



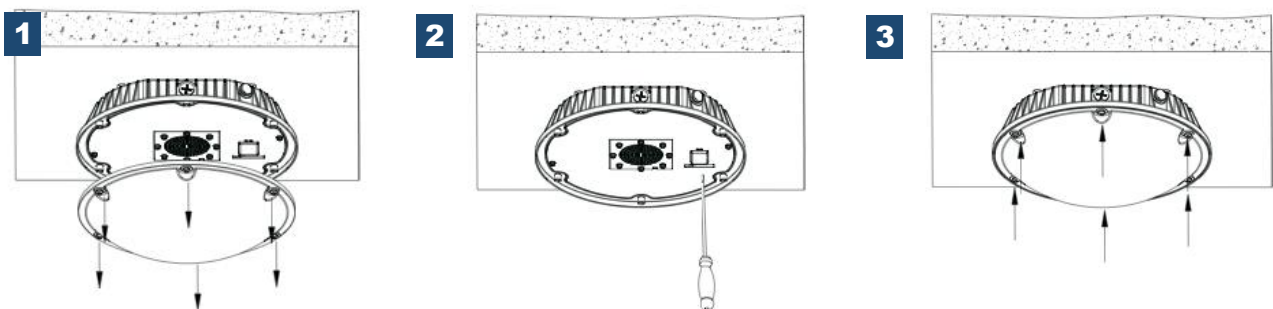
1. Loosen the screw on the side of the housing and pull out the connecting plate.
2. Connect the wires as show in the diagram.
3. Screw the lamp and conduit pole together tightly.

TO SURFACE MOUNT WITH SIDE WIRING



1. Remove the lens and metal cover in the middle.
2. Cut off the wires coming out of 3/4" hole and seal the hole with the provided plug, then drill four (4) holes on four corners and fix it onto the ceiling with screws.
3. Remove the 1/2" plug in the direction you intend to connect the conduit.
4. Relocate the wire from the 3/4" hole to the 1/2" hole and connect the conduit following the diagram.
5. Put the middle metal cover and lens back into position and make sure no wires are pinched or exposed during the process.

TO ACCESS THE MOTION SENSOR



1. Remove the lens.
2. Adjust the combination of DIP switches with the appropriate tool (such as screwdriver).
3. Put the lens back into the place and check the function of the sensor.