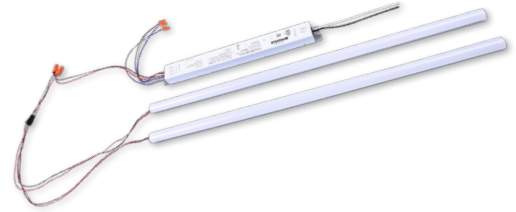


Model #	
Type	
Project	
Date	

RK1-SERIES

LED LINEAR RETROFIT KIT

The RK1 Series LED Linear Retrofit Kit is the easiest and most versatile fluorescent bulb retrofit solution: a two-piece magnetic LED strip and driver kit that attaches directly to any existing linear fixture and bypasses the ballast for a quick installation. The RK1 uses the housing of the existing fixture to limit excess waste and does not require above ceiling access to install. They are the fastest, most efficient way to upgrade fluorescent linear fixtures to long-lasting LED lighting.



HIGHLIGHTS

- 80+ CRI
- Available in three popular lumen packages: 2,900 lm, 3,700 lm and 5,000 lm
- Nominal 2' and 4' linear strip kits make it easy to fit most troffers. Works up to 8 feet in length per kit and with metric troffers
- Flicker-free and 0-10V dimming
- Snap-on magnetic makes installation easy and almost as simple as re-lamping
- Damp Location listed for installation in approved Type IC or Non-IC recessed luminaires
- Natural White (4000K) or Cool White (5000K)
- Backed by a worry-free 5 year warranty

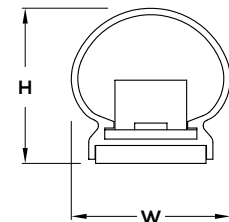
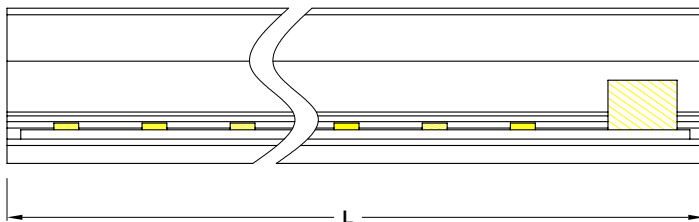


APPLICATIONS

Uses the housing of the existing linear fixture to limit excess waste and does not require above ceiling access to install

DIMENSIONS

VOLTAGE (V)	POWER (W)	L (inches/mm)	W (inches/mm)	H (inches/mm)	WEIGHT (kg/lbs)
120-347V	25	20 7/8" (553 mm)	11/16" (17mm)	21/32" (17mm)	0.43 kg / 0.95 lbs
	32	43 7/16" (1103 mm)	11/16" (17mm)	21/32" (17mm)	0.60 kg / 1.32 lbs
	46				0.60 kg / 1.40 lbs



ORDERING GUIDE

SERIES	-	LENGTH & POWER (W)	CCT	-	VOLTAGE
RK1	-	2225: 2 strips, 2', 25W 2432: 2 strips, 4', 32W 2446: 2 strips, 4', 46W	4: 4000K 5: 5000K	-	3: 120-347V

MODEL SELECTION

SERIES	-	LENGTH & POWER (W)	CCT	-	VOLTAGE
RK1	-	2225	4	-	3

ACCESSORIES SELECTION

EXAMPLE: RK1-22254-3

ORDER	MODEL #	DESCRIPTION
	RK1-CAPS	End caps that close up the end of RK1 strips (all models)
	RK1-CLIPS	Metal mounting clips that click onto the RK1 strips (all models)

PRODUCT FEATURES

CONSTRUCTION

- Polycarbonate lens
- Magnetic strips included on back of strips and driver

INSTALLATION

- Magnetic mount to existing housing
- Screw down clips available for strips (optional), driver can be screwed down

ELECTRICAL

- LED drivers have up to 1kV surge protection
- Power Factor >0.9
- THD <20%
- 0-10V dimming

LISTINGS & RATINGS

- DLC Standard
- cETLus
- Damp Location
- Listed for use in -25°C to 40°C / -13°F to 104°F

RATED LIFE & WARRANTY


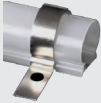
- LED system: >54,000 hours at L70
- 5 year warranty (visit premiseled.com/warranty/)

ORDERING INFORMATION

INPUT VOLTAGE	CCT (K)	POWER (W)	MODEL NUMBER	DELIVERED LUMENS (lm)	EFFICACY (lm/W)	DLC STANDARD
120-347V	4000K	25W	RK1-22254-3	2,991 lm	111 lm/W	PLPETTQ7ZDUM
		32W	RK1-24324-3	3,723 lm	111 lm/W	PL4G1BG70M50
		46W	RK1-24464-3	5,047 lm	110 lm/W	PL57GY7BBNI8
	5000K	25W	RK1-22255-3	3,050 lm	122 lm/W	PL3DHTAMCERZ
		32W	RK1-24325-3	3,750 lm	117 lm/W	PLKLPLFC23SS
		46W	RK1-24465-3	5,100 lm	110 lm/W	PL7YH7Q8ZI3X

OPTIONAL ACCESSORIES

OTHER ACCESSORIES

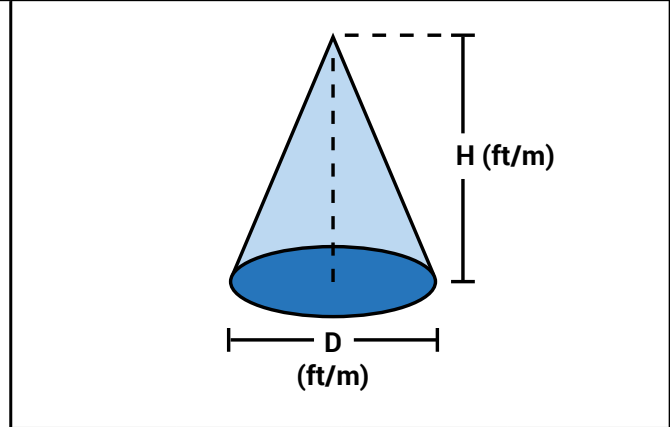
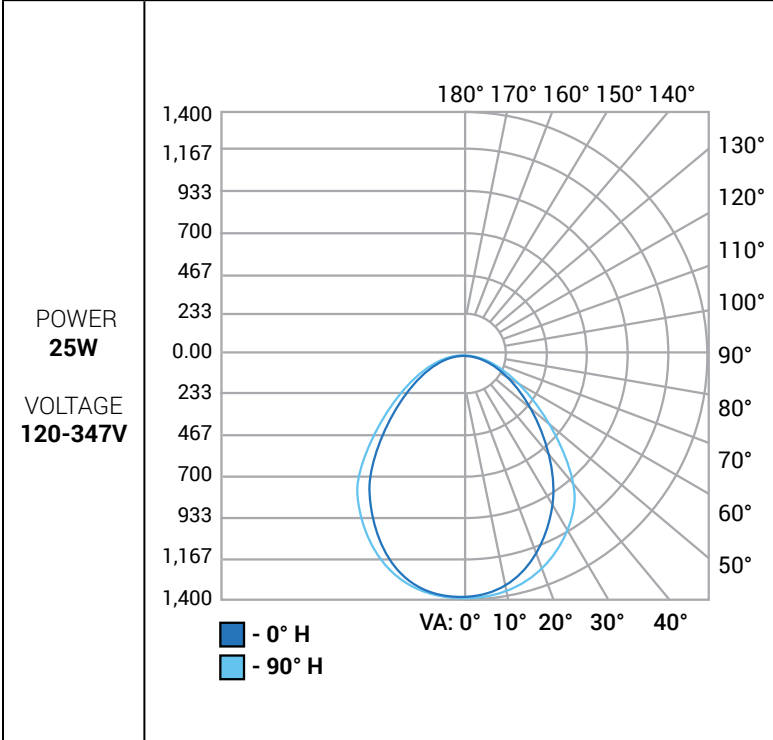
IMAGE	DESCRIPTION	MODEL NUMBER
	End caps that close up the end of RK1 strips Each set includes 4 caps for 2 strips	RK1-CAPS (all models)
	Metal mounting clips that click onto the RK1 strips Each set includes 4 clips and screws for 2 strips	RK1-CLIPS (all models)

PACKING INFORMATION									
LENGTH & POWER			CASE QUANTITY			PALLET QUANTITY			
2225			CASE OF 10			500			
2432			CASE OF 10			300			
2446			CASE OF 10			300			
ELECTRICAL INFORMATION									
INPUT VOLTAGE	CCT	POWER (W)	APPARENT POWER (VA)	SYSTEM POWER (W)	CURRENT DRAW AT 120V _{ac}	CURRENT DRAW AT 208V _{ac}	CURRENT DRAW AT 240V _{ac}	CURRENT DRAW AT 277V _{ac}	CURRENT DRAW AT 347V _{ac}
120-347V	4000K	25W	28.0VA	26.9W	0.260A	0.150A	0.130A	0.110A	0.090A
		32W	36.0VA	33.4W	0.355A	0.200A	0.180A	0.150A	0.120A
		46W	51.0VA	46.0W	0.460A	0.270A	0.230A	0.200A	0.160A
	5000K	25W	28.0VA	25.0W	0.260A	0.150A	0.130A	0.110A	0.090A
		32W	36.0VA	32.0W	0.355A	0.200A	0.180A	0.150A	0.120A
		46W	51.0VA	46.0W	0.460A	0.270A	0.230A	0.200A	0.160A
INPUT VOLTAGE	POWER (W)	INRUSH CURRENT (A)			DRIVER SURGE PROTECTION				
120-347V	25W 32W 46W	<60A			1kV (L-N)				

PHOTOMETRIC INFORMATION

POLAR CANDELA DISTRIBUTION

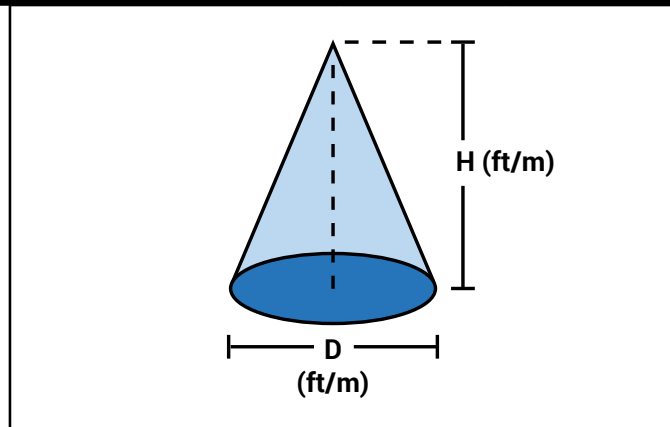
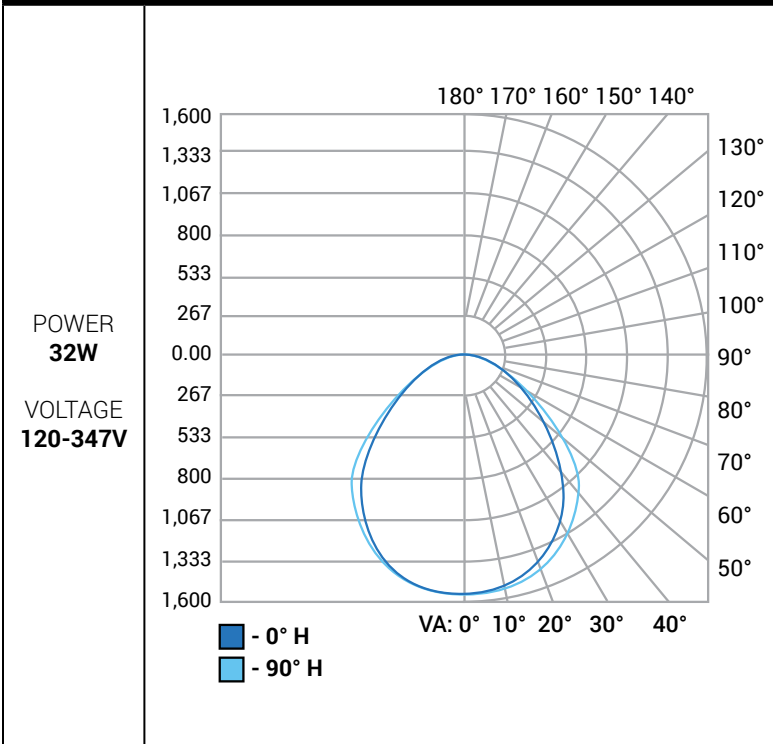
ILLUMINANCE AT A DISTANCE



H (ft/m)	LUX	FC	D (ft/m)
6.6' (2m)	341.2	31.7	15.1' (4.6m)
9.8' (3m)	151.6	14.1	22.6' (6.9m)
13.1' (4m)	85.3	7.9	30.2' (9.2m)
16.4' (5m)	54.6	5.1	37.8' (11.5m)
19.7' (6m)	37.9	3.5	45.3' (13.8m)

POLAR CANDELA DISTRIBUTION

ILLUMINANCE AT A DISTANCE



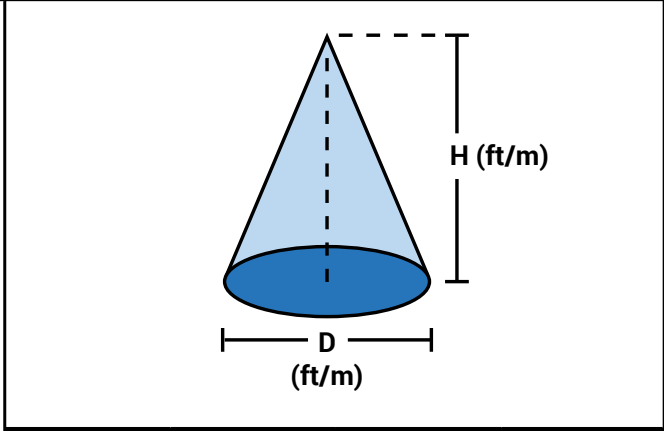
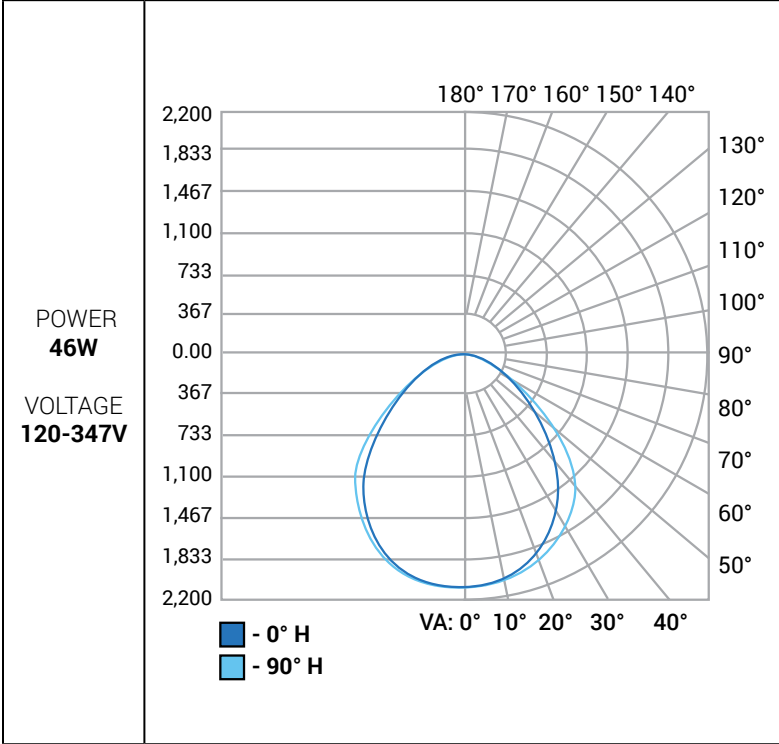
H (ft/m)	LUX	FC	D (ft/m)
6.6' (2m)	388.0	36.1	16.4' (5.0m)
9.8' (3m)	172.4	16.0	24.6' (7.5m)
13.1' (4m)	97.0	9.0	32.9' (10.0m)
16.4' (5m)	62.1	5.8	41.1' (12.5m)
19.7' (6m)	43.1	4.0	49.3' (15.0m)

*Based on operation at 4000K & 120V.

PHOTOMETRIC INFORMATION

POLAR CANDELA DISTRIBUTION

ILLUMINANCE AT A DISTANCE



H (ft/m)	LUX	FC	D (ft/m)
6.6' (2m)	524.7	48.8	16.4' (5.0m)
9.8' (3m)	233.2	21.7	24.6' (7.5m)
13.1' (4m)	131.2	12.2	32.9' (10.0m)
16.4' (5m)	84.0	7.8	41.1' (12.5m)
19.7' (6m)	58.3	5.4	49.3' (15.0m)

*Based on operation at 4000K & 120V.