



HBV1 SERIES MONOPOINT HIGH BAY

INSTALLATION INSTRUCTIONS



For use with:

Monopoint High Bays

HBV1-1004-1	HBV1-1005-1
HBV1-1004-3	HBV1-1005-3
HBV1-1504-1	HBV1-1505-1
HBV1-1504-3	HBV1-1505-3
HBV1-2004-1	HBV1-2005-1
HBV1-2004-3	HBV1-2005-3
HBV1-2404-1	HBV1-2405-1
HBV1-2404-3	HBV1-2405-3

WHAT'S IN THE BOX

- LED HIGH BAY LUMINAIRE
- PRE-INSTALLED 6.5' CORD
- HOOK

WHAT YOU'LL NEED

- WIRING SUPPLIES AS PER ELECTRIC CODE
- HANGING CHAIN OR CEILING HOOK

WARNING

- Turn off electrical power at fuse or circuit breaker box before wiring fixture to the power supply.
- Turn off the power when you perform any maintenance.
- Verify that supply voltage is correct by comparing it with the luminaire label information.
- Observe all precautions usually followed when dealing with high voltage equipment when installing or servicing this light fixture.
- Modifications to the product voids the warranty.

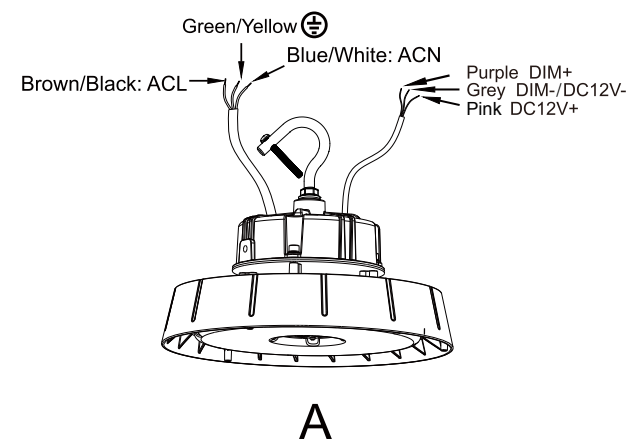
IMPORTANT

Before assembling your fixture, please make sure that you carefully read through this instruction sheet. Consider having your fixture installed by a qualified licensed electrician.

Note: The important safeguards and instructions that appear in this sheet are not meant to cover all possible conditions and situations that may occur. It must be understood that common sense, caution, and care are factors that cannot be built into any product. These factors must be supplied by the person(s) caring for and operating the fixture.

PREMISE LED Inc.
80-86 Carrier Drive
Toronto, ON Canada
M9W 5R1
PREMISELED.COM

WIRING DIAGRAM

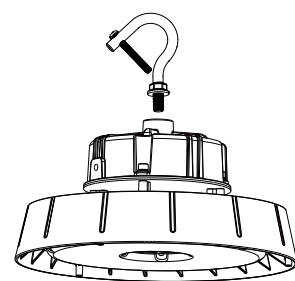


Note:

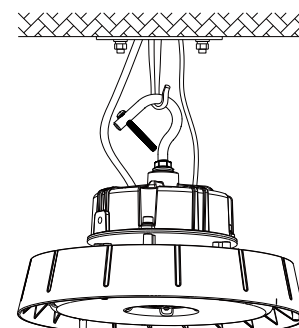
In the case of 208 or 240 line voltage, the 2nd hot leg will be connected to the white lead coming from the fixture.

TO INSTALL VIA CHAIN OR CEILING HOOK

1. Screw the hook into the fixture. Ensure that it is tightened.
2. Hang the luminaire on the chain or ceiling hook that you are using.
3. Using the pre-installed 6.5' cord, connect to the power supply:
 - Black wire to line (hot)
 - White wire to neutral (In the case of 208 or 240 line voltage, the 2nd hot leg will be connected to the white lead coming from the fixture.)
 - Green wire to ground
4. Turn on power to the fixture and test the luminaire.



1



2

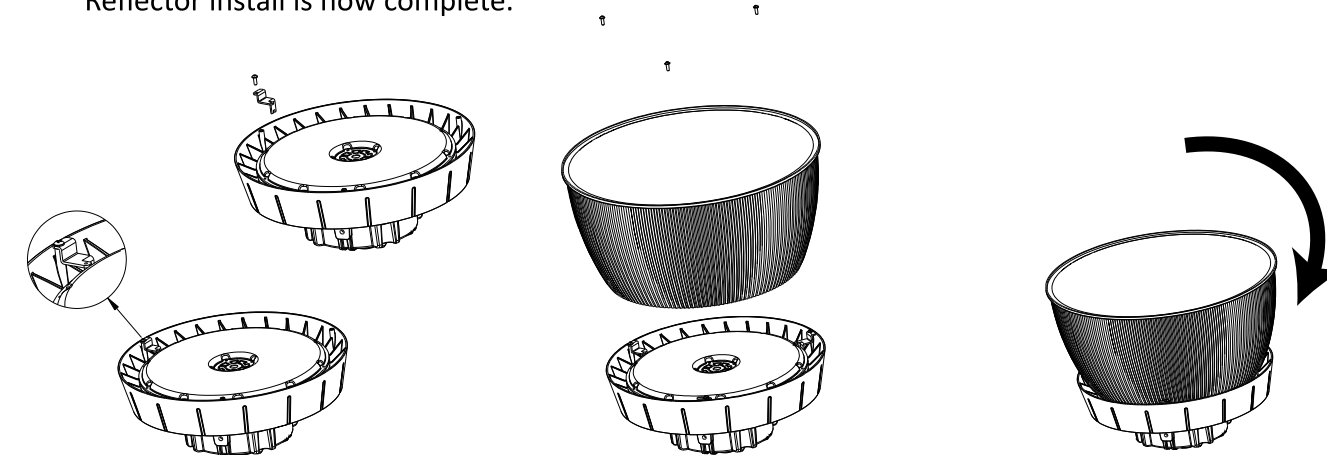
TO INSTALL REFLECTORS

Aluminum and polycarbonate prismatic reflectors are available as field installed options.

TO INSTALL PRISMATIC REFLECTORS

Package contents: 1 reflector, 3 x brackets, 3 x 8mm screws, 3 x 6mm screws

1. Attach provided mounting brackets as shown to the fixture with provided 8mm screws.
2. Screw in the provided 6mm screws (do not screw in completed, leave space to fit the reflector).
3. Align the holes of the reflector with the screws, twist to lock in place then tighten screws. Reflector install is now complete.



1

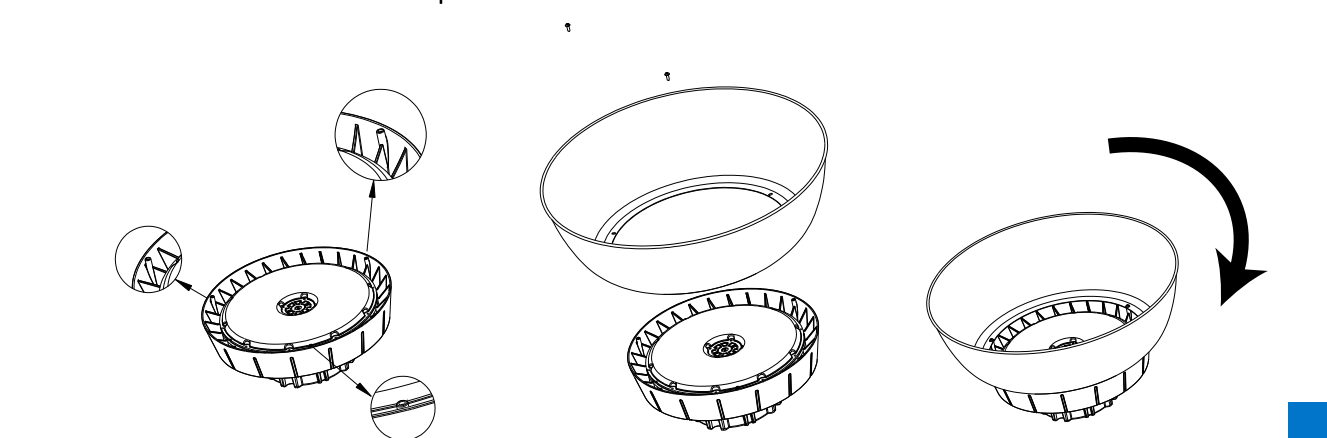
2

3

TO INSTALL ALUMINUM REFLECTORS

Package contents: 1 reflector, 3 x 8mm screws

1. Screw in the provided 8mm screws (do not screw in completed, leave space to fit the reflector).
2. Align the holes of the reflector with the screws, twist to lock in place then tighten screws. Reflector install is now complete.



1

2

3