



CF4 SERIES CANOPY FIXTURE

INSTALLATION INSTRUCTIONS



For use with:

Model #	Input Voltage	Wattage
CF4-404-1	120-277V	40W
CF4-704-1	120-277V	70W
CF4-404-2	277-480V	40W
CF4-704-2	277-480V	70W

WHAT'S IN THE BOX

- LED FIXTURE

WHAT YOU'LL NEED

- SAFETY GLASSES
- WIRE CUTTERS
- WATERPROOF SILICONE
- WIRING SUPPLIES AS SPECIFIED BY CODE

WARNING

- Turn off electrical power at fuse or circuit breaker box before wiring fixture to the power supply.
- Turn off the power when you perform any maintenance.
- Verify that supply voltage is correct by comparing it with the luminaire label information.
- Keep lens tightly closed when in operation.
- Modifications to the product voids the warranty.

IMPORTANT

Before assembling your PREMISE LED fixture, please make sure that you carefully read through this instruction sheet. Consider having your fixture installed by a qualified licensed electrician.

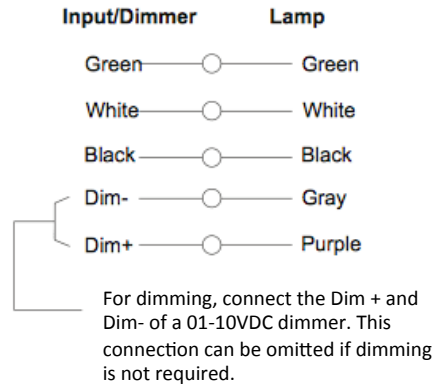
Note: The important safeguards and instructions that appear in this sheet are not meant to cover all possible conditions and situations that may occur. It must be understood that common sense, caution, and care are factors that cannot be built into any product. These factors must be supplied by the person(s) caring for and operating the fixture.

PREMISE LED Inc.
80-86 Carrier Drive
Toronto, ON Canada
M9W 5R1
PREMISELED.COM

INSTALLATION OPTIONS

This CF4 Canopy fixture can be installed via ceiling mount or pendant mount (threaded pipe sold separately).

Wiring Instructions

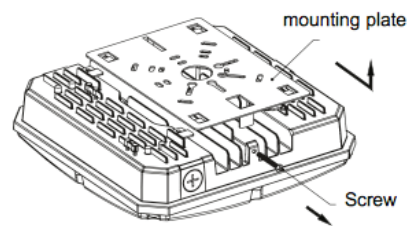


NOTE BEFORE INSTALLING

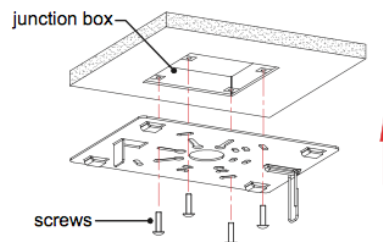
NOTE: Always turn off the power supply from main circuit breaker before beginning. For supply connections use wire rated for at least 100°C. All unused holes in fixture must be plugged after installing. Waterproof silicone ensures a tight seal.

TO CEILING MOUNT

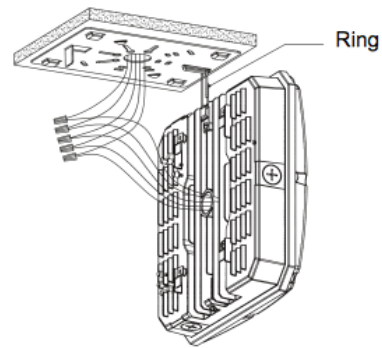
1. Loosen the screw to take off the mounting plate from the fixture.



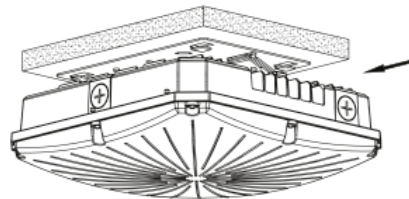
2. Use screws to lock the mounting plate onto the embedded junction box.



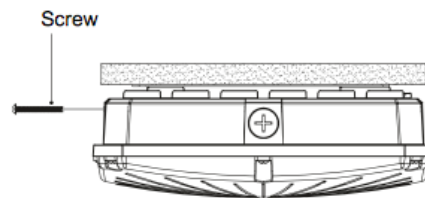
3. Hang the fixture on the ring to make it easier to connect the wires with the terminal caps (refer to Wiring Instructions).



4. Align the fixture with the mounting plate.



5. Secure the screw. Installation is now complete.



TO PENDANT MOUNT

1. Connect the wires with the terminal caps (refer to Wiring Instructions).
2. Rotate the conduit and affix it firmly to the fixture. Installation is now complete.

