



ES2-SERIES SINGLE REMOTE HEAD LED EMERGENCY LIGHT



Project	
Date	
Prepared by	
Model #	ES2-RH1PC7-6

OVERVIEW

The ES2-RH1PC7-6 is constructed of high impact thermoplastic. A clear PC lens and aluminum reflector provide bright illumination, while an adjustable swivel locks the head in position. Includes a standard canopy designed to mount directly to typical electrical junction boxes.

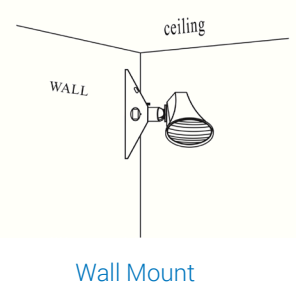
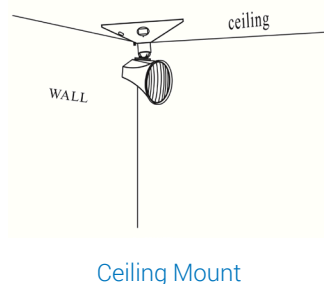
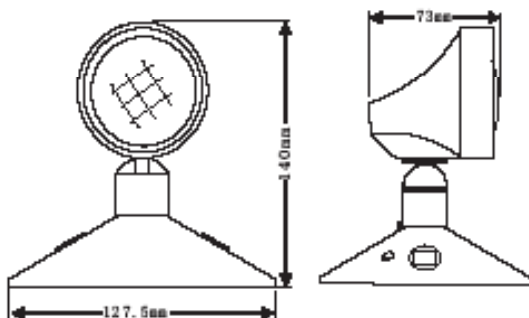
PRODUCT HIGHLIGHTS

- White housing made of flame-retardant ABS
- Can be mounted directly to typical electrical junction boxes
- Designed to be run off the power and control circuitry of Emergency Lighting Units and Self-Powered Combination
- Running Man signs
- Designed for indoor applications
- Damp location rated
- 5 Year warranty

ELECTRICAL SPECIFICATIONS		LIGHTING INFORMATION	
Lamp Input Voltage	6-12VDC	Lamp Type	LED
Replacement for	50W Halogen	Lamp Power	7W
Lumen Output (lm)	336 lm	Efficacy	58 lm/W

EXTERNAL & MECHANICAL SEPCIFICATIONS			
Housing Material	Flame Retardant ABS	Operation Temperature Range	0°C to 30°C 32°F to 86°F
Housing Color	White	Warranty	5 years
Lens Material	Polycarbonate	Installation Method	Ceiling Mount, Wall Mount
Material Grade	UL 94V0		
Dimension (inch/mm)	5" (W) x 5.5" (H) x 2.87" (D) 128mm (W) x 140mm (H) x 73mm (D)	Weight	0.17kg / 0.37 lbs

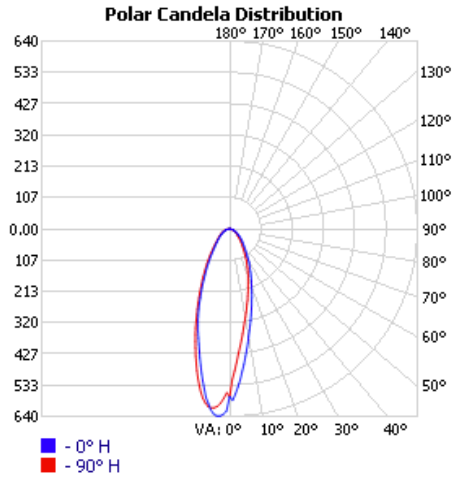
PRODUCT DIMENSIONS	MOUNTING DIAGRAM
--------------------	------------------



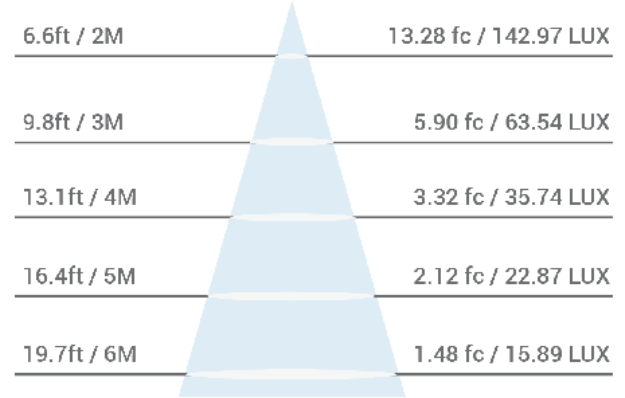
APPROVAL & LISTINGS

Safety Compliance	cCSAus	Safety Standards	CSA C22.2 NO.141-15 CAN/CSA-C22.2 NO.250.13-17
ccSAus File Number	272501	Approved Locations	Damp Locations

POLAR CANDELA DISTRIBUTION (FOR 1 LED HEAD)



ILLUMINANCE AT A DISTANCE (FOR 1 LED HEAD)



1. Due to the special conditions of manufacturing, the typical data of optical specifications can only reflect statistical figures and do not necessarily correspond to the actual parameters of each single product which could differ from the typical data.
 2. Exceeding maximum ratings for input voltage and current will cause hazardous overload and will likely destroy the LED fixture.
 3. Refer to Warranty Terms & Conditions available at premiseled.com/warranty