



# ES2-SERIES DOUBLE REMOTE HEAD LED EMERGENCY LIGHT



Project	
Date	
Prepared by	
Model #	ES2-RH1PC14-6

## OVERVIEW

The ES2-RH1PC14-6 is constructed of high impact thermoplastic. A clear PC lens and aluminum reflector provide bright illumination, while dual adjustable swivel lock the heads in position. Includes a standard canopy designed to mount directly to typical electrical junction boxes.

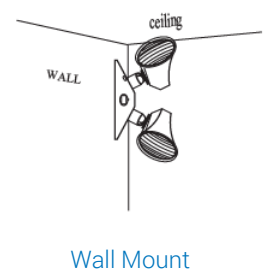
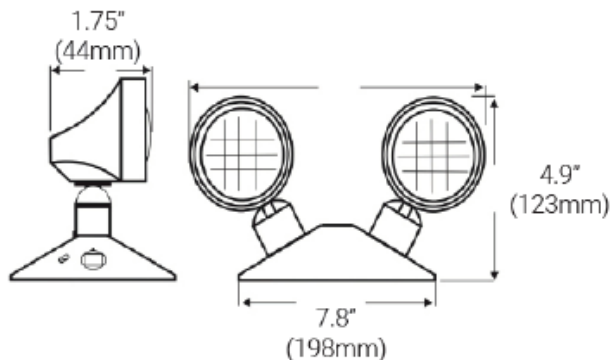
## PRODUCT HIGHLIGHTS

- White housing made of flame-retardant ABS
- Can be mounted directly to typical electrical junction boxes
- Designed to be run off the power and control circuitry of Emergency Lighting Units and Self-Powered Combination
- Running Man signs
- Designed for indoor applications
- Damp location rated
- 5 Year warranty

ELECTRICAL SPECIFICATIONS		LIGHTING INFORMATION	
Lamp Input Voltage	6-12VDC	Lamp Type	LED
Replacement for	100W Halogen	Lamp Power	2x7W (14W)
Lumen Output (lm)	805 lm	Efficacy	57 lm/W

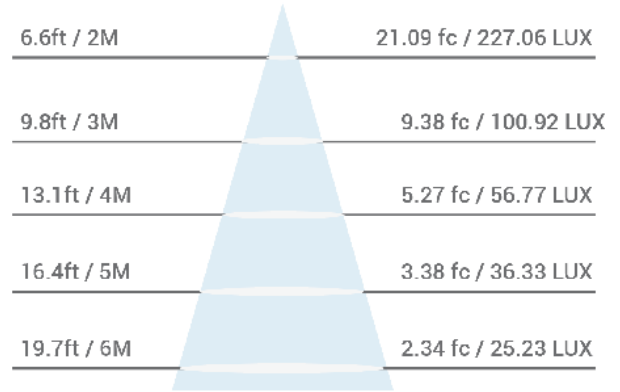
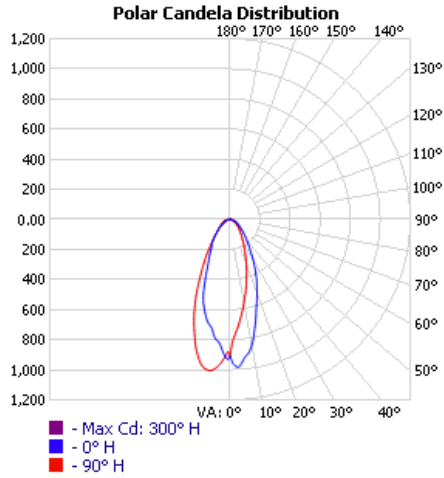
EXTERNAL & MECHANICAL SEPCIFICATIONS			
Housing Material	Flame-Retardant ABS	Operation Temperature Range	0°C to 30°C 32°F to 86°C
Housing Color	White	Warranty	5 years
Lens Material	Polycarbonate	Installation Method	Ceiling Mount, Wall Mount
Material Grade	UL 94V0	Weight	0.2kg / 0.44lbs
Dimension (inch/mm)	7.87" (L) x 4.5" (H) x 2.87" (D) 200mm (L) x 115mm (H) x 73mm (D)		

PRODUCT DIMENSIONS	MOUNTING DIAGRAM
--------------------	------------------



## APPROVAL & LISTINGS

<b>Safety Compliance</b>	cCSAus	<b>Safety Standards</b>	CSA C22.2 NO.141-15 CAN/CSA-C22.2 NO.250.13-17
<b>ccSAus File Number</b>	272501	<b>Approved Locations</b>	Damp Locations
<b>POLAR CANDELA DISTRIBUTION (FOR 2 LED HEADS)</b>		<b>ILLUMINANCE AT A DISTANCE (FOR 2 LED HEADS)</b>	



1. Due to the special conditions of manufacturing, the typical data of optical specifications can only reflect statistical figures and do not necessarily correspond to the actual parameters of each single product which could differ from the typical data.  
 2. Exceeding maximum ratings for input voltage and current will cause hazardous overload and will likely destroy the LED fixture.  
 3. Refer to Warranty Terms & Conditions available at [premiseled.com/warranty](http://premiseled.com/warranty)