

ES2-SERIES EDGE LIT LED RUNNING MAN (UDC / ALUMINUM HOUSING)



Project	
Date	
Prepared by	
Model #	ES2-RM1EL2U-3

OVERVIEW

The ES2-Series Edge Lit LED Running Man uses a slim aluminum housing and a high clarity acrylic panel fitted with universal pictograms that is “edge lit” for a minimalist-inspired design.

PRODUCT HIGHLIGHTS

- Universal input voltage from 120-347VAC and 6-24VDC
- Constructed of durable die-cast aluminum
- Status is easily determined via an LED indicating AC-ON
- Even light output with a high uniformity
- 9.28 cd/m² high light output
- Includes 3 pictogram inserts
- CSA listed for Canada & the US
- For use with DC power back-up systems
- Suitable for single and double-sided applications

ELECTRICAL SPECIFICATIONS

Input Voltage	120-347 VAC 50/60Hz & 6-24VDC	System Power	2W
----------------------	-------------------------------	---------------------	----

LIGHTING INFORMATION

Lamp Type	LED	Illuminating Surface Uniformity	84%
Lens Material	Acrylic	Luminance	9.28 cd/m ²

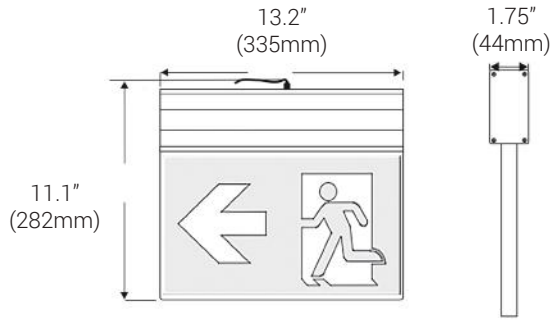
EXTERNAL & MECHANICAL SPECIFICATIONS

Housing Material	Die-Cast Aluminum	Material Grade	UL-94v0
Housing Color	White	Operation Temperature Range	5°C to 30°C / 41°F to 86°F
Dimension (inch/mm)	13.2" (W) x 11.1" (H) x 1.75" (D) 335mm (W) x 282mm (H) x 44mm (D)	Installation Method	Ceiling Mount, Flag Mount
Weight	0.98 kg / 2.16 lbs	Warranty	5 years

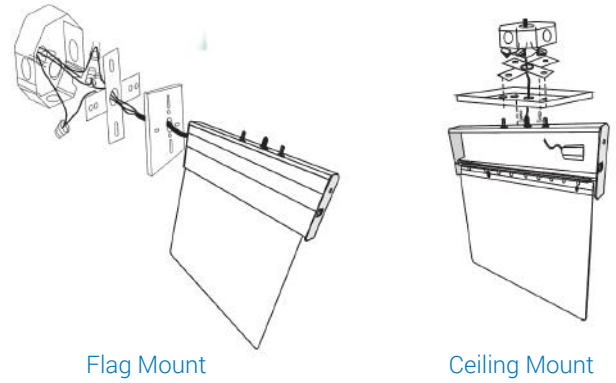
APPROVALS & LISTINGS

Safety Compliance	cCSAus	Safety Standards	CAN/CSA-C860-11 CSA C22.2 No. 141-15 CAN/CSA-C22.2 No. 250.13-14
File Number	272501	Approved Locations	Damp Locations

PRODUCT DIMENSIONS



MOUNTING DIAGRAM



PICTOGRAMS INCLUDED



No Indicator



Left Indicator



Right Indicator

1. Due to the special conditions of manufacturing, the typical data of optical specifications can only reflect statistical figures and do not necessarily correspond to the actual parameters of each single product which could differ from the typical data.
2. Exceeding maximum ratings for input voltage and current will cause hazardous overload and will likely destroy the LED fixture.
3. Refer to Warranty Terms & Conditions available at premiseled.com/warranty