



ES2-SERIES SELF-POWERED LED RUNNING MAN (STEEL HOUSING)



Project	
Date	
Prepared by	
Model #	ES2-RM1SC2B-3

OVERVIEW

The ES2-Series LED Running Man is encased in a sturdy, all steel housing. Powered with long life LED chips, they are the perfect choice for both new and retrofit projects.

PRODUCT HIGHLIGHTS

- Universal AC input voltage from 120-347VAC, with back-up battery
- Maintenance free battery, providing a minimum emergency duration of 120 minutes
- Constructed of durable 20 gauge steel
- Status is easily determined via an LED indicating AC-ON
- Even light output with a high uniformity
- 10.36 cd/m² high light output
- Includes 3 pictogram inserts
- CSA listed for Canada & the US
- Suitable for single and double-sided applications

ELECTRICAL SPECIFICATIONS

Input Voltage	120-347 VAC 50/60Hz	Battery Type	Sealed Nickel-Cadmium Battery
Power	2W	Battery Charge Time	8 hours
Output Voltage	AC-ON, Test	Battery Discharge Time (CSA Req't: >2 hrs)	>2 hours
Battery Capacity	3.6V 1.3Ah (5W)		

LIGHTING INFORMATION

Lamp Type	LED	Illuminating Surface Uniformity	78%
Lens Material	PVC	Luminance	10.36 cd/m ²

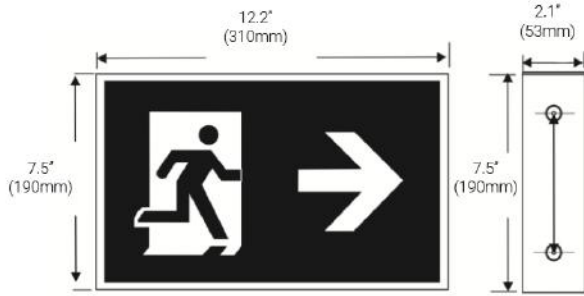
EXTERNAL & MECHANICAL SPECIFICATIONS

Housing Material	Powder Coated Steel	Material Grade	UL-94v0
Housing Color	White	Operation Temperature Range	5°C to 30°C / 41°F to 86°F
Dimension (inch/mm)	12.2" (W) x 7.5" (H) x 2.1" (D) 310mm (W) x 190mm (H) x 53mm (D)	Installation Method	Ceiling Mount, Wall Mount, Flag Mount
Weight	1.61 kg / 3.6 lbs	Warranty	5 years

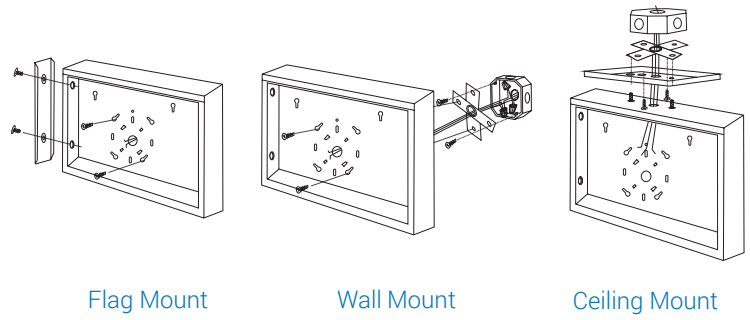
APPROVALS & LISTINGS

Safety Compliance	cCSAus	Safety Standards	CAN/GSA-C860-11 CSA C22.2 No. 141-15 CAN/GSA-C22.2 No. 250.13-14
File Number	272501	Approved Locations	Damp Locations

PRODUCT DIMENSIONS



MOUNTING DIAGRAM



PICTOGRAMS INCLUDED



No Indicator



Left Indicator



Right Indicator

1. Due to the special conditions of manufacturing, the typical data of optical specifications can only reflect statistical figures and do not necessarily correspond to the actual parameters of each single product which could differ from the typical data.
2. Exceeding maximum ratings for input voltage and current will cause hazardous overload and will likely destroy the LED fixture.
3. Refer to Warranty Terms & Conditions available at premiseled.com/warranty