

# ES2-SERIES LED RUNNING MAN (UDC / STEEL HOUSING)



Project	
Date	
Prepared by	
Model #	<b>ES2-RM1SC2U-3</b>

## OVERVIEW

The ES2-Series LED Running Man is encased in a sturdy, all steel housing. Powered with long life LED chips, they are the perfect choice for both new and retrofit projects.

## PRODUCT HIGHLIGHTS

- Universal input voltage from 120-347VAC and 6-24VDC
- Constructed of durable 20 gauge steel
- Even light output with a high uniformity
- 9.84 cd/m<sup>2</sup> high light output
- Includes 3 pictogram inserts
- Suitable for single and double-sided applications
- CSA listed for Canada & the US
- For use with DC power back-up systems

### ELECTRICAL SPECIFICATIONS

<b>Input Voltage</b>	120-347VAC 50/60Hz & 6-24VDC	<b>System Power</b>	2W
----------------------	------------------------------	---------------------	----

### LIGHTING INFORMATION

<b>Lamp Type</b>	LED	<b>Illuminating Surface Uniformity</b>	79%
<b>Lens Material</b>	PVC	<b>Luminance</b>	9.84 cd/m <sup>2</sup>

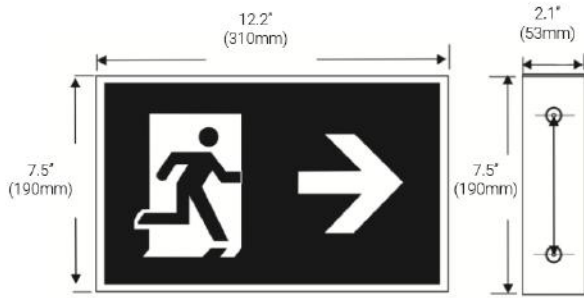
### EXTERNAL & MECHANICAL SPECIFICATIONS

<b>Housing Material</b>	Powder Coated Steel	<b>Material Grade</b>	UL-94v0
<b>Housing Color</b>	White	<b>Operation Temperature Range</b>	5°C to 30°C / 41°F to 86°F
<b>Dimension (inch/mm)</b>	12.2" (W) x 7.5" (H) x 2.1" (D) 310mm (W) x 190mm (H) x 53mm (D)	<b>Installation Method</b>	Ceiling Mount, Flag Mount Wall Mount
<b>Weight</b>	1.54 kg / 3.40 lbs	<b>Warranty</b>	5 years

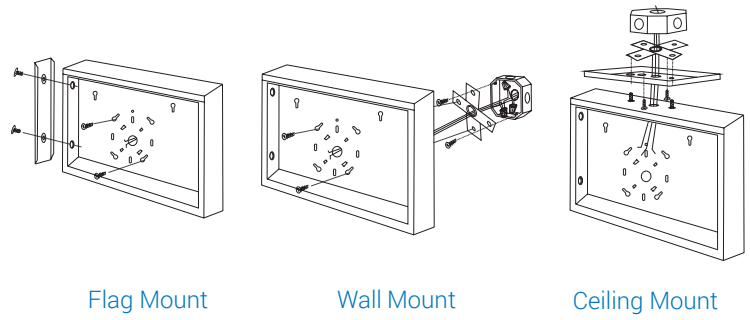
### APPROVALS & LISTINGS

<b>Safety Compliance</b>	cCSAus	<b>Safety Standards</b>	CAN/CSA-C860-11 CSA C22.2 No. 141-15 CAN/CSA-C22.2 No. 250.13-14
<b>File Number</b>	272501	<b>Approved Locations</b>	Damp Locations

**PRODUCT DIMENSIONS**



**MOUNTING DIAGRAM**



**PICTOGRAMS INCLUDED**



**No Indicator**



**Left Indicator**



**Right Indicator**

1. Due to the special conditions of manufacturing, the typical data of optical specifications can only reflect statistical figures and do not necessarily correspond to the actual parameters of each single product which could differ from the typical data.  
2. Exceeding maximum ratings for input voltage and current will cause hazardous overload and will likely destroy the LED fixture.  
3. Refer to Warranty Terms & Conditions available at [premiseled.com/warranty](http://premiseled.com/warranty)