



# ES2-SERIES SELF-POWERED SWING TYPE LED RUNNING MAN (ALUMINUM HOUSING)



Project	
Date	
Prepared by	
Model #	<b>ES2-RM2EL2B-3</b>

## OVERVIEW

The ES2-Series Edge Lit Swing Type LED Running Man uses a slim aluminum housing and a high clarity acrylic panel fitted with universal pictograms that is “edge-lit” for a minimalist-inspired design.

## PRODUCT HIGHLIGHTS

- Swing Type housing rotates from 0° to 180° for precise positioning, ideal for sloped ceilings
- Universal AC input voltage from 120-347VAC, with back-up battery
- Maintenance-free battery, providing a minimum emergency duration of 120 minutes
- Constructed of durable die-cast aluminum
- Even light output with a high uniformity
- Includes 3 pictogram inserts
- CSA listed for Canada & the US
- Suitable for single and double-sided applications

### ELECTRICAL SPECIFICATIONS

<b>Input Voltage</b>	120-347 VAC 50/60Hz	<b>Battery Type</b>	Sealed Nickel-Cadmium Battery
<b>Power</b>	2W	<b>Battery Charge Time</b>	8 hours
<b>Output Voltage</b>	AC-ON, Test	<b>Battery Discharge Time</b> (CSA Req't: >2 hrs)	>2 hours
<b>Battery Capacity</b>	3.6V 1.0Ah (4W)		

### LIGHTING INFORMATION

<b>Lamp Type</b>	LED	<b>Illuminating Surface Uniformity</b>	79%
<b>Lens Material</b>	Acrylic	<b>Luminance</b>	7 cd/m <sup>2</sup>

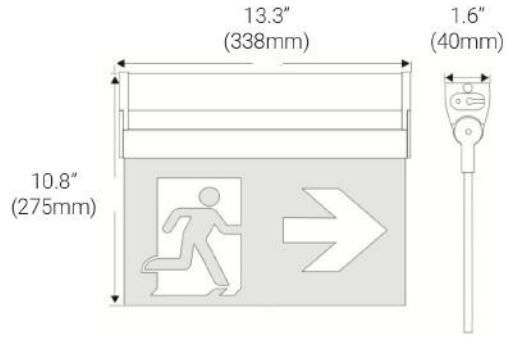
### EXTERNAL & MECHANICAL SPECIFICATIONS

<b>Housing Material</b>	Die-Cast Aluminum	<b>Material Grade</b>	UL-94v0
<b>Housing Color</b>	White	<b>Operation Temperature Range</b>	5°C to 30°C / 41°F to 86°F
<b>Dimension (inch/mm)</b>	13.3" (W) x 10.8" (H) x 1.6" (D) 338mm (W) x 275mm (H) x 40mm (D)	<b>Installation Method</b>	Ceiling Mount, Wall Mount Flag Mount
<b>Weight</b>	1.46 kg / 3.2 lbs	<b>Warranty</b>	5 years

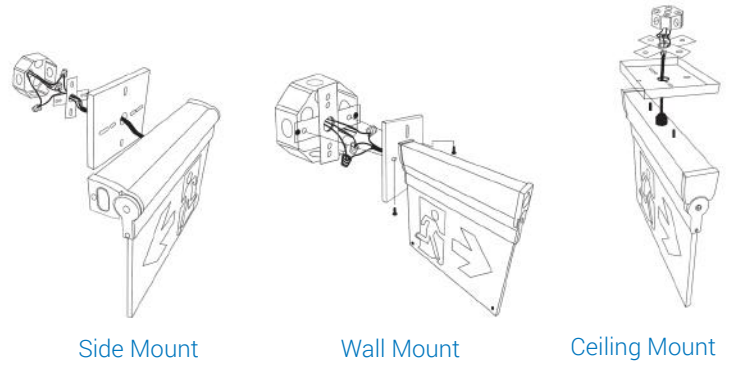
### APPROVALS & LISTINGS

<b>Safety Compliance</b>	cCSAus	<b>Safety Standards</b>	CAN/CSA-C860-11 CSA C22.2 No. 141-15 CAN/CSA-C22.2 No. 250.13-14
<b>File Number</b>	272501	<b>Approved Locations</b>	Damp Locations

**PRODUCT DIMENSIONS**



**MOUNTING DIAGRAM**



**PICTOGRAMS INCLUDED**



**No Indicator**



**Left Indicator**



**Right Indicator**

1. Due to the special conditions of manufacturing, the typical data of optical specifications can only reflect statistical figures and do not necessarily correspond to the actual parameters of each single product which could differ from the typical data.  
2. Exceeding maximum ratings for input voltage and current will cause hazardous overload and will likely destroy the LED fixture.  
3. Refer to Warranty Terms & Conditions available at [premiseled.com/warranty](http://premiseled.com/warranty)