

FPH3 INSTALLATION GUIDELINE

Flat Panel Hybrid Fixtures



INSTALLATION INSTRUCTIONS FOR

FPH3-1440GPS-1	FPH3-2230S40-1	FPH3-2240GPS-3	FPH3-2440P40-3	FPH3-2450GP50-1
FPH3-1440GPS-1-EB	FPH3-2230S40-3	FPH3-2240GS35-1	FPH3-2440S40-1	FPH3-2450GPS-1
FPH3-1440GPS-3	FPH3-2240GP40-3	FPH3-2240GS40-1	FPH3-2440S40-3	FPH3-2450GPS-1-EB
FPH3-1440S40-1	FPH3-2240GPS-1	FPH3-2240GS50-1	FPH3-2450GP35-1	FPH3-2450GPS-3
FPH3-1440S40-3	FPH3-2240GPS-1-EB		FPH3-2450GP40-1	FPH3-2450GS35-1
				FPH3-2450GS40-1
				FPH3-2450GS50-1

WHAT'S IN THE BOX

- Flat Panel Led Fixture

WHAT YOU'LL NEED

- Safety glasses
- #2 Phillips screwdriver
- Wiring supplies as per national and local electrical codes

Accessories to mount panel outside of T-Bar (sold separately)

FPH-ACK11: Aircraft Cables for 1x4 & 2x2 panels

FPH-ACK21: Aircraft Cables for 2x4 panels

FPH-14SMK1: Surface Mount Kit for 1x4 panels

FPH-22SMK1: Surface Mount Kit for 2x2 panels

FPH-24SMK1: Surface Mount Kit for 2x4 panels

FPH-14DMK: Drywall Mounting Kit for 1x4 panels

FPH-22DMK: Drywall Mounting Kit for 2x2 panels

FPH-24DMK: Drywall Mounting Kit for 2x4 panels

IMPORTANT

Before installing fixture, read all instructions and retain for future reference. The important instructions and safeguards that appear in this document are not inclusive of all possible conditions and situations that may occur. It must be understood that common sense, caution, and care are factors that cannot be built into a product. These factors must be supplied by those that care and operate the fixture. Consider a qualified licensed electrician for installation.

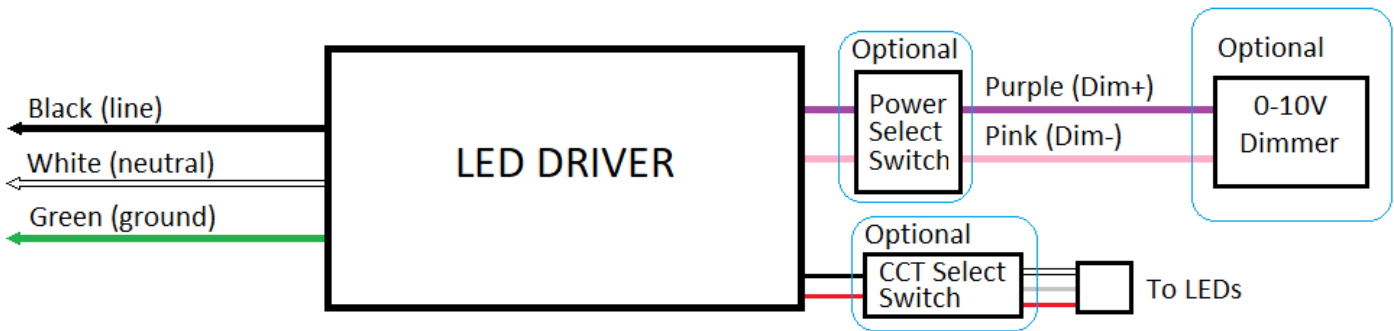
For additional information required not covered in this document please contact a local representative.



WARNING AND SAFETY

- Risk of fire or electric shock.
- Ensure power is OFF at the electrical panel before starting installation or maintenance
- Verify site supply voltage matches emergency battery and luminaire product labels
- Ensure wiring connections are not exposed during operation
- Modifications to the product will void warranty
- Ambient temperature range under normal operation not to exceed:
-20°C to 45°C (-4°F to 113°F)
- The emergency battery option requires an un-switched AC power source of 120-277V. The fixture must be on the same branch circuit as the emergency battery.
- Wiring to fixture must be in accordance with the National Electrical Code and all applicable local electrical and safety regulations

WIRING SCHEMATIC FOR STANDARD MODELS



Note: in the case of 208 or 240 line voltage, the second hot leg connects to the White neutral lead.

When dimming below 5% (within 3% tolerance), the synchronous dimming difference may be due to the difference of wire or amount of load, which is uncontrollable.

ELECTRICAL CONNECTIONS FOR STANDARD AND SELECTABLE MODELS

1

Unscrew and open the junction box cover.

2

Provide power supply through an available knockout.

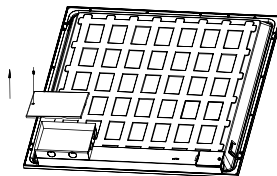
3

Connect supply power to driver with wiring connectors (supplied by others). Connect the hot or line wire to black, the neutral wire to white and ground wire to green. For 0-10V dimming, connect the purple wire to Dim+ and pink wire to Dim-.

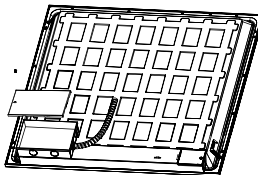
4

Once wiring is complete, replace cover and tighten the cover screw. If fixture contains selectable features set power or CCT as desired.

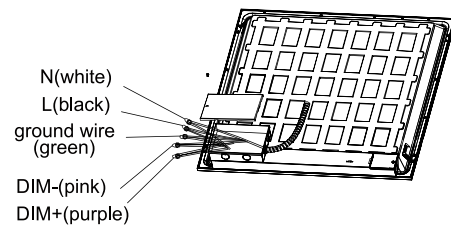
1



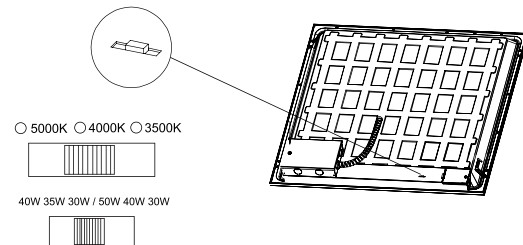
2



3

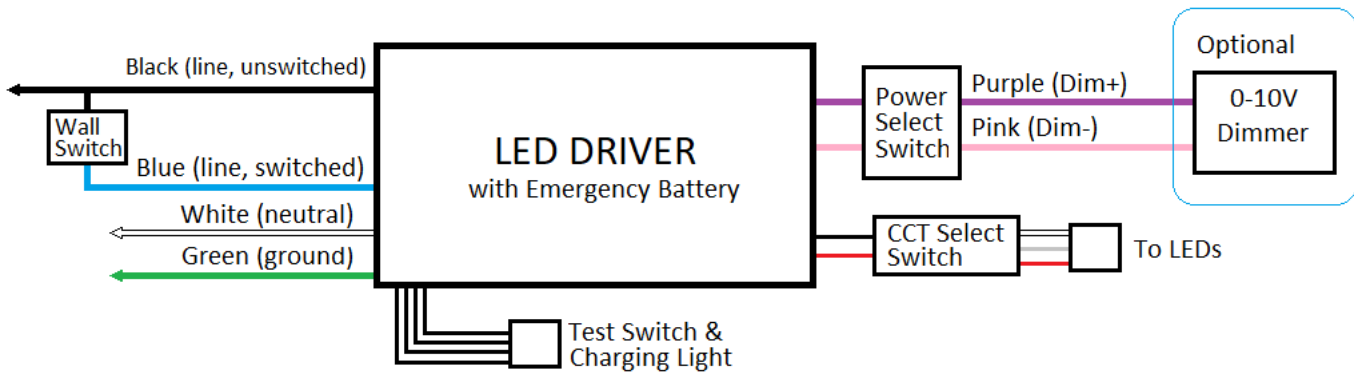


4



Note: Default setting is max wattage and 4000K for all selectable models.

WIRING SCHEMATIC FOR EMERGENCY BACK-UP MODELS



Note: in the case of 208 or 240 line voltage, the second hot leg connects to the White neutral lead.

When dimming below 5% (within 3% tolerance), the synchronous dimming difference may be due to the difference of wire or amount of load, which is uncontrollable.

ELECTRICAL CONNECTIONS FOR EMERGENCY BACK-UP MODELS

1

Unscrew and open the junction box cover.

2

Provide power supply through an available knockout.

3

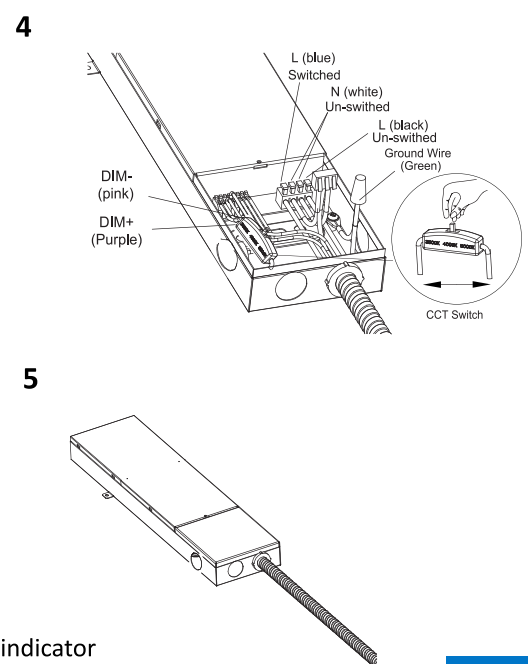
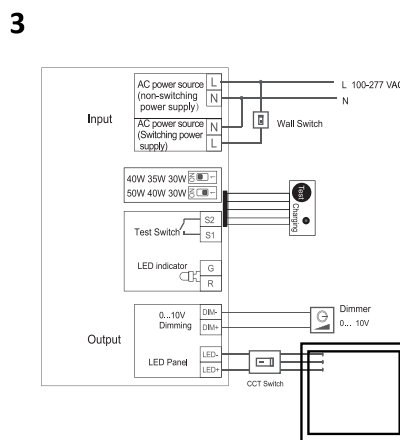
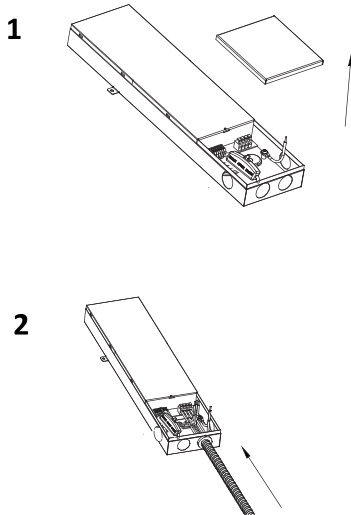
Connect supply power to driver with wiring connectors (supplied by others). Connect the switched hot or line wire to blue, the un-switched hot or line wire to black, the neutral wire to white and ground wire to green. For 0-10V dimming, connect the purple wire to Dim+ and pink wire to Dim-.

4

If fixture contains selectable features set power or CCT as desired.

5

Once wiring is complete, replace cover and tighten the cover screw.

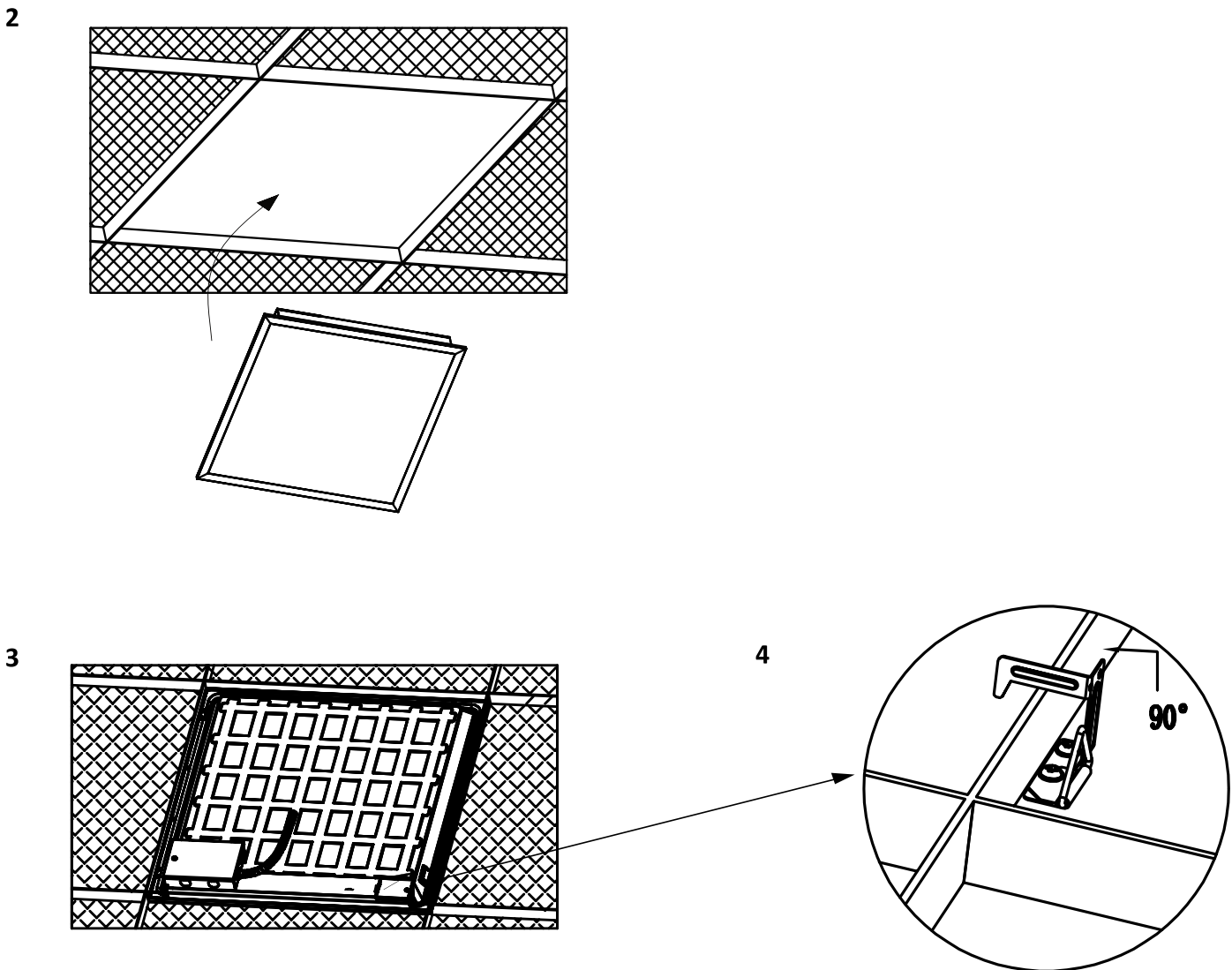


Note: Charge time is 24 hours. Emergency run time is >90 min. Test switch and charging indicator located on front panel frame.

Note: Default setting is max wattage and 4000K for all selectable models.

INSTALLING INTO T-BAR CEILING

- 1** Remove the existing ceiling tile (or fixture you are replacing).
- 2** Insert the panel light into the T-bar grid (T-bar grid must adequately support the weight of the fixture).
- 3** Connect the power supply (refer to the Wiring Diagram).
- 4** Bend out the attached T-bar clips to support the fixture on the T-bar grid. Additionally, affix to the T-bar clips jack chain or steel wire that is attached to the roof structure for additional safety."
- 5** Installation is now complete.



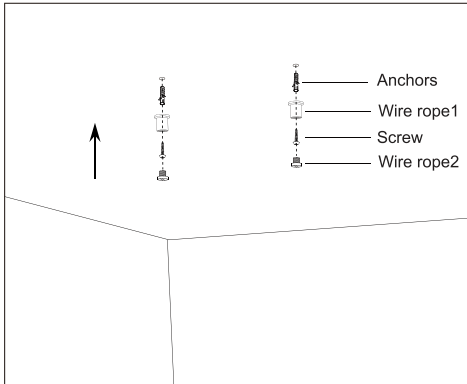
INSTALLATION FOR OPTIONAL ACCESSORIES (SOLD SEPARATELY)

AIRCRAFT CABLES

FPH-ACK11 (1X4 & 2X2) & FPH-ACK21 (2X4)

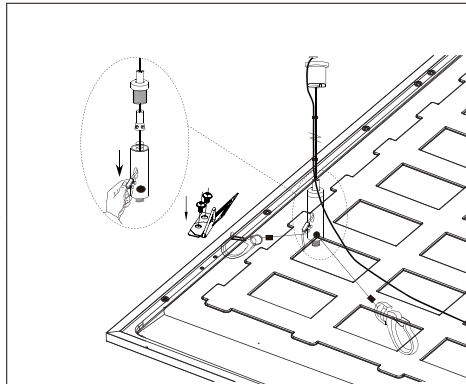
1

Anchor top of aircraft cables to the build structure.



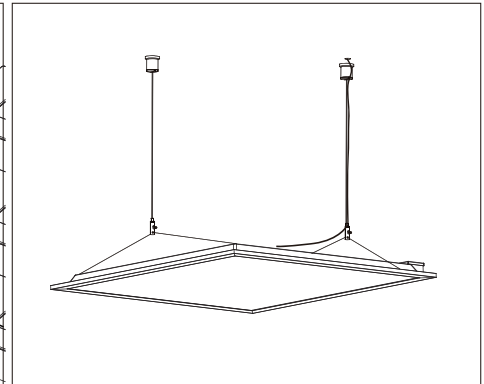
2

Attach aircraft cables to upturned T-bar clips. Adjust height as needed.



3

Installation is complete.

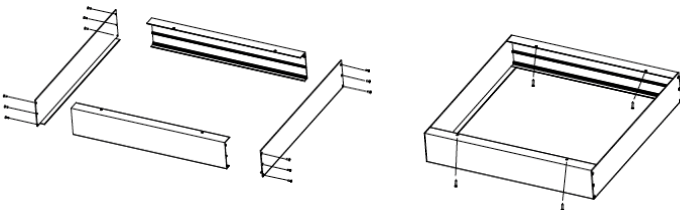


SURFACE MOUNT KITS

FPH-14SMK1, FPH-22SMK1, FPH-24SMK1

1

Refer to surface mount kit for full instructions.



DRYWALL MOUNTING KITS

FPH-14DMK, FPH-22DMK, FPH-24DMK

1

Refer to drywall mounting kit for full instructions.

