

## HBV2 INSTALLATION GUIDELINE

### Monopoint High Bay



#### INSTALLATION INSTRUCTIONS FOR

HBV2-1004-1	HBV2-1504-1	HBV2-2004-1	HBV2-2404-1	HBV2-3004-1
HBV2-1004-3	HBV2-1504-3	HBV2-2004-3	HBV2-2404-3	HBV2-3004-3
HBV2-1005-1	HBV2-1505-1	HBV2-2005-1	HBV2-2405-1	HBV2-3005-1
HBV2-1005-3	HBV2-1505-3	HBV2-2005-3	HBV2-2405-3	HBV2-3005-3

#### WHAT'S IN THE BOX

- HBV2 fixture
- Pre-installed 6 ft power cord
- Hanging hook with safety screw
- 3 ft quick clip steel safety cable

#### WHAT YOU'LL NEED

- Wiring supplies as per national and local electrical codes
- #2 Phillips screwdriver
- Hanging chain or ceiling hook as required (field provided)

#### IMPORTANT

Before installing fixture, read all instructions and retain for future reference. The important instructions and safeguards that appear in this document are not inclusive of all possible conditions and situations that may occur. It must be understood that common sense, caution, and care are factors that cannot be built into a product. These factors must be supplied by those that care and operate the fixture. Consider a qualified licensed electrician for installation.

For additional information required not covered in this document please contact a local representative.



#### WARNING AND SAFETY

- Risk of electric shock!
- Ensure power is OFF at the electrical panel before starting installation or maintenance
- Verify site supply voltage matches luminaire product label
- Ensure the cover is closed during operation
- Modifications to the product will void warranty
- Ambient not to exceed: -40°C to 50°C (-40°F to 122°F)
- Ambient with sensor not to exceed: -30°C to 50°C (-22°F to 122°F)
- Wiring to fixture must be in accordance with the National Electrical Code and all applicable local electrical and safety regulations

## HOOK OR EYEBOLT & CHAIN MOUNT

**1**

Install included hook or optional eyebolt into top of fixture. Use wrench to tighten as required. Tighten fixture safety set screw to secure hook/eyebolt.

**4**

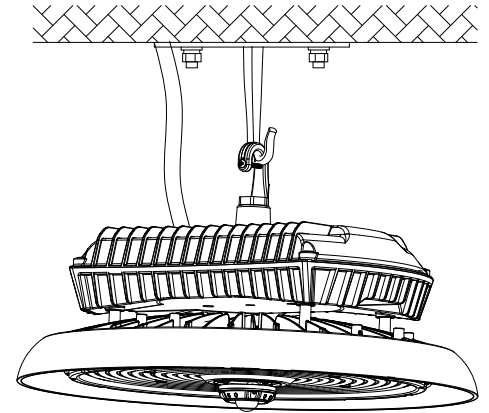
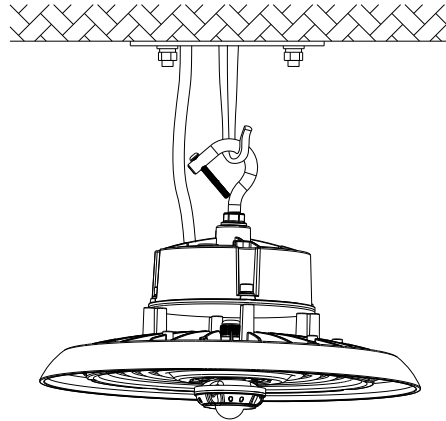
Turn power on, and test luminaire.

**2**

Hang the luminaire with hook or eyebolt and carabiner on suspended hanging chain. Close safety screw on hook around chain to secure.

**3**

With provided wire, connect to power supply as per included wiring diagrams.

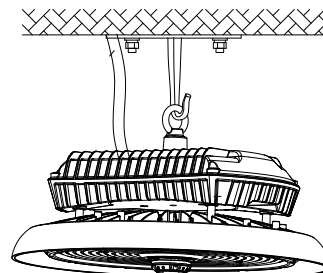
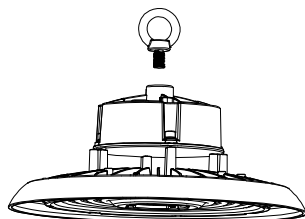


## OPTIONAL ACCESSORY

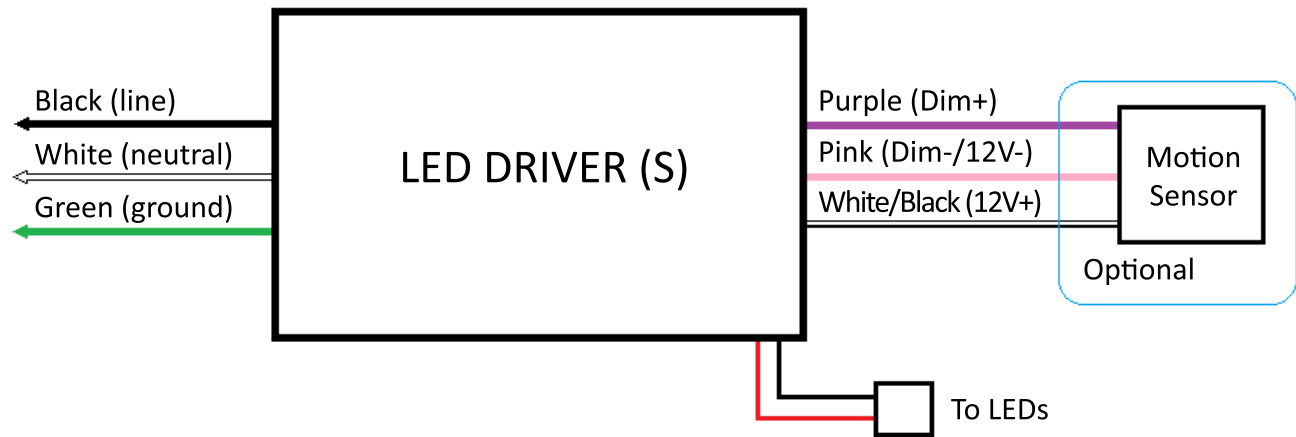
EYEBOLTS: **HBV2-EYEBOLT-M10**  
**HBV2-EYEBOLT-M12**  
**HBV2-EYEBOLT-12**

CARABINER FOR EYEBOLTS: **HB-CARABINER (100-240W)**  
**HBX2-CARABINER (300W)**

HBV2 HOOK/EYEBOLT SIZE CHART			HBV2 CARABINER SIZE CHART
	120-277V	120-347V	
100-150W	<b>M10</b>	<b>M10</b>	<b>HB-CARABINER</b>
200-240W	<b>M10</b>	<b>M12</b>	
300W	<b>1/2"</b>	<b>1/2"</b>	<b>HBX2-CARABINER</b>



## WIRING SCHEMATIC (ALL MODELS)

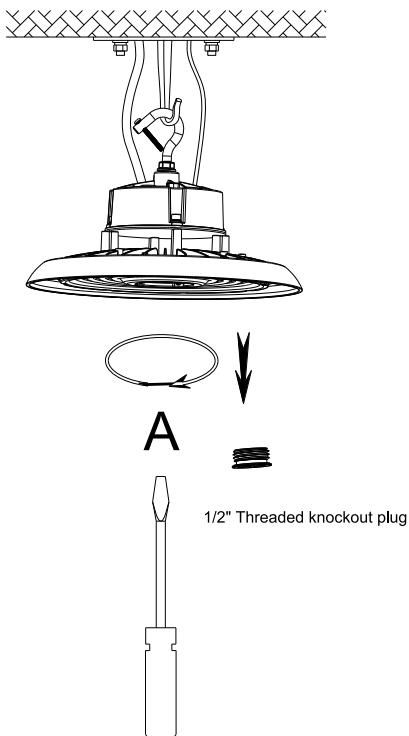


## INSTALLATION FOR OPTIONAL ACCESSORIES (PURCHASED SEPARATELY)

### MOTION SENSORS: MSF-DMR-12 (MICROWAVE) & MSF-DPR-12 (PIR)

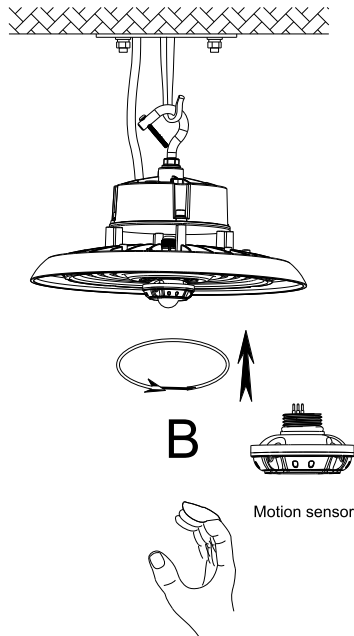
**1**

Remove 1/2" threaded knockout plug from the center of the fixture front face.



**2**

Screw motion sensor in place until tight.



**3**

RC02 remote required to operate.

## RC02 – REMOTE FOR HBV2 MOTION SENSORS

See specification sheet for detailed instructions.



SCAN TO  
DOWNLOAD



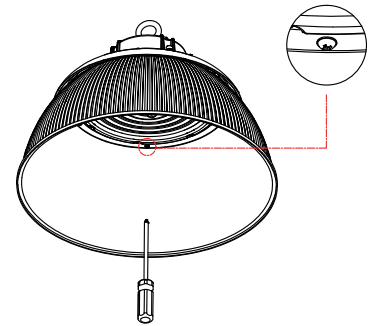
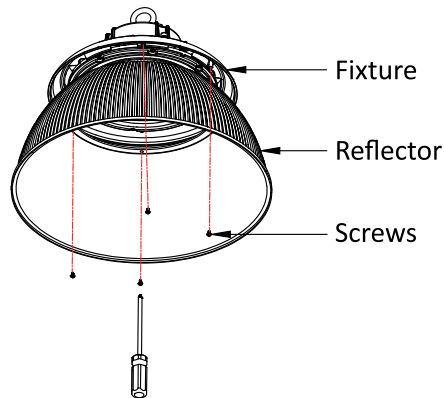
## REFLECTORS

**ALUMINUM:** HBV2-REF-AL-S (100/150W) & HBV2-REF-AL-M (200/240W)

**PRISMATIC:** HBV2-REF-PC-S (100/150W) & HBV2-REF-PC-M (200/240W)

**1**

Attached reflectors to front face of fixture with #2 Phillips and provided screws.



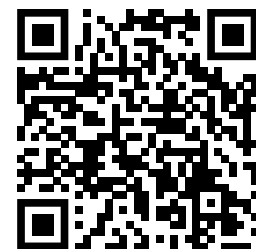
## EMERGENCY BATTERY BACK-UP – EBF-40-3

**1**

Emergency battery back-up is available to field install.

**2**

Please refer to emergency battery specification and installation for details and wiring.



SCAN TO  
DOWNLOAD