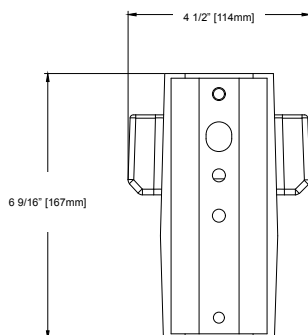
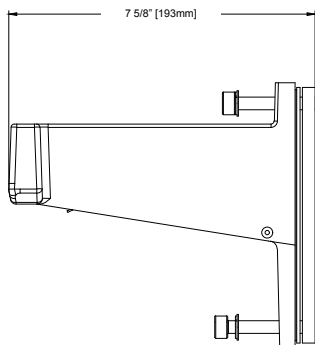
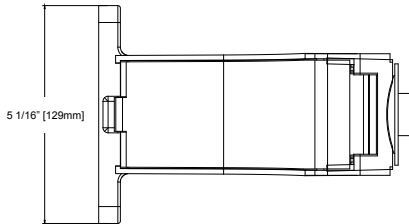
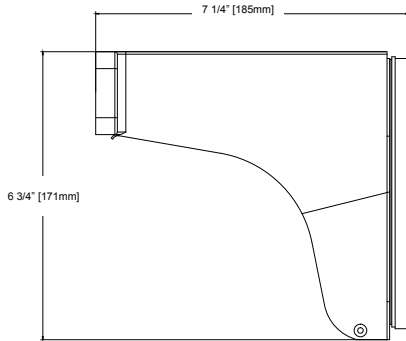


Project	
Date	
Prepared by	
Model #	Area/Flood Mount Kit

FL5-SERIES ACCESSORIES



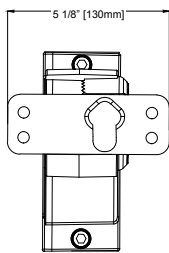
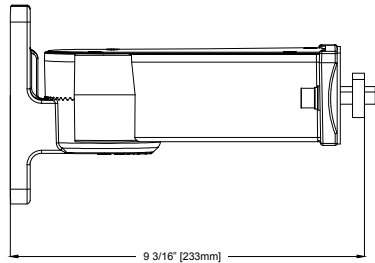
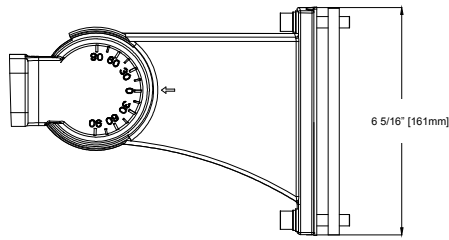
PRODUCT INFORMATION

Model #	FL5-FM
Description	Fixed mount for FL5-Series Area/Flood Lights (for 80-300W models)
Material	Die-cast aluminum
Compatible with	FL5-Series Area/Flood Lights
Dimensions	L: 7 1/4" (185 mm) W: 5 1/16" (129 mm) H: 6 3/4" (171 mm)



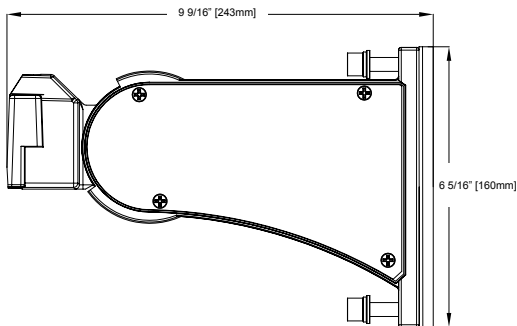
PRODUCT INFORMATION

Model #	FL5-FM-XL
Description	Fixed mount for FL5-Series Area/Flood Lights (for 450W models)
Material	Die-cast aluminum
Compatible with	FL5-Series Area/Flood Lights
Dimensions	L: 7 5/8" (193 mm) W: 4 1/2" (114 mm) H: 6 9/16" (167 mm)



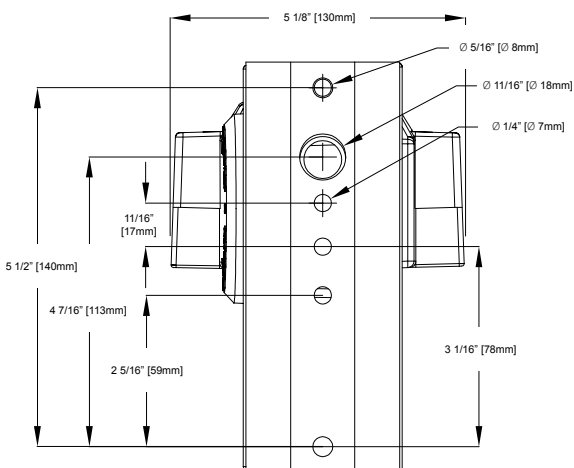
PRODUCT INFORMATION

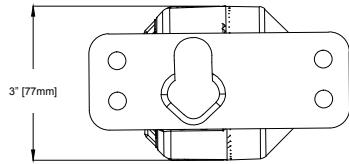
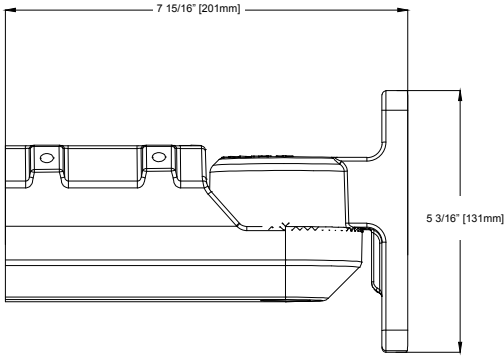
Model #	FL5-MA
Description	Mounting arm for FL5-Series Area/Flood Lights (for 80-300W models)
Material	Die-cast aluminum
Compatible with	FL5-Series Area/Flood Lights
Dimensions	L: 9 3/16" (233 mm) W: 5 1/8" (130 mm) H: 6 5/16" (161 mm)



PRODUCT INFORMATION

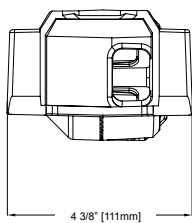
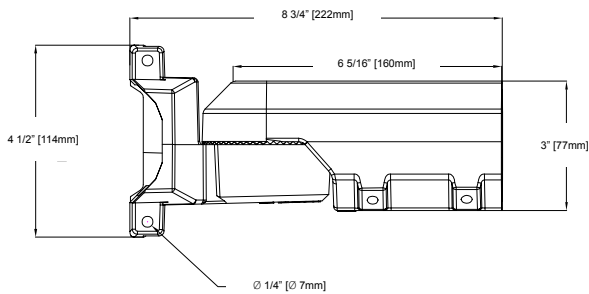
Model #	FL5-MA-XL
Description	Mounting arm for FL5-Series Area/Flood Lights (for 450W models)
Material	Die-cast aluminum
Compatible with	FL5-Series Area/Flood Lights
Dimensions	L: 9 9/16" (243 mm) W: 5 1/8" (130 mm) H: 6 5/16" (160 mm)





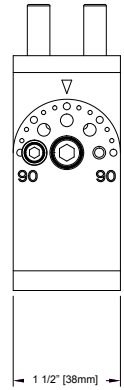
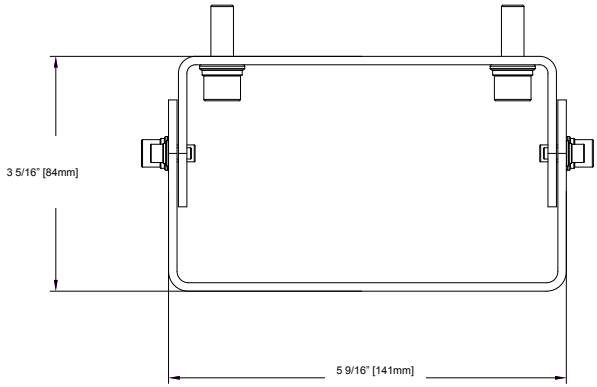
PRODUCT INFORMATION

Model #	FL5-SF
Description	Slip fitter for FL5-Series Area/Flood Lights (for 80-300W models)
Material	Die-cast aluminum
Compatible with	FL5-Series Area/Flood Lights
Dimensions	L: 7 15/16" (201 mm) W: 5 3/16" (131 mm) H: 3" (77mm)



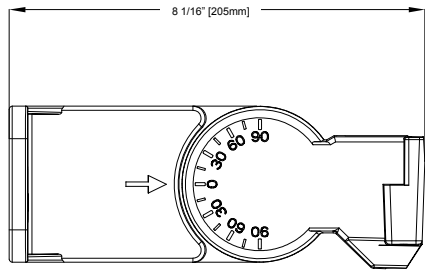
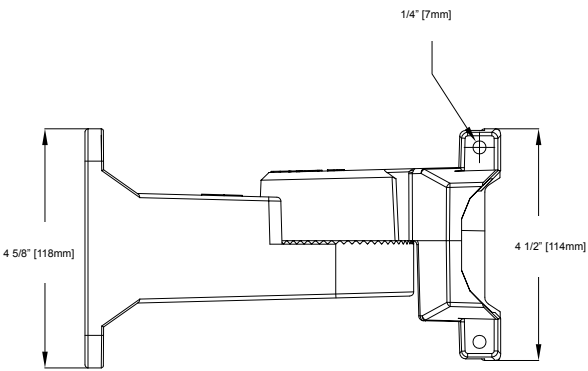
PRODUCT INFORMATION

Model #	FL5-SF-XL
Description	Slip fitter for FL5-Series Area/Flood Lights (for 450W models)
Material	Die-cast aluminum
Compatible with	FL5-Series Area/Flood Lights
Dimensions	L: 8 3/4" (222 mm) W: 4 1/2" (114 mm) H: 4 3/8" (111mm)



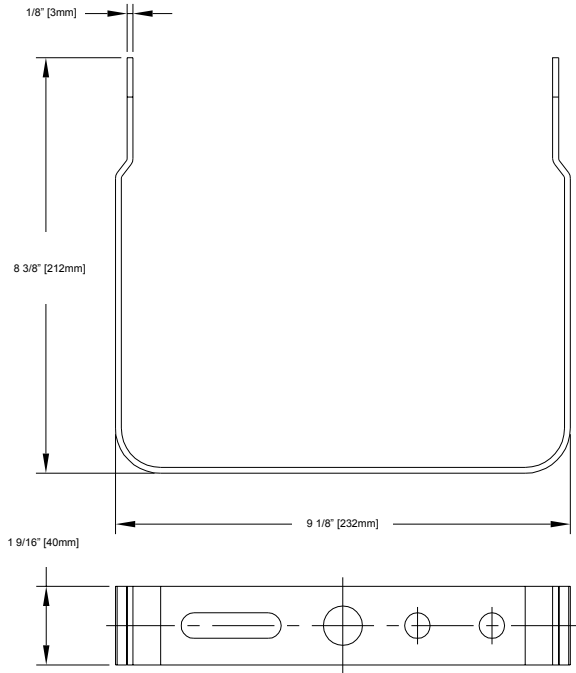
PRODUCT INFORMATION

Model #	FL5-TR
Description	Trunnion mount for FL5-Series Area/Flood Lights (for 80-300W models)
Material	Die-cast aluminum
Compatible with	FL5-Series Area/Flood Lights
Dimensions	L: 3 5/16 (84 mm) W: 5 9/16" (141 mm) H: 1 1/2" (38 mm)



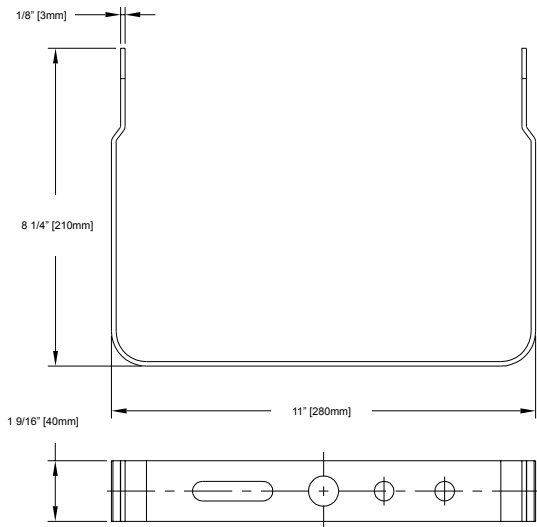
PRODUCT INFORMATION

Model #	FL5-TR-XL
Description	Trunnion mount for FL5-Series Area/Flood Lights (for 450W models)
Material	Die-cast aluminum
Compatible with	FL5-Series Area/Flood Lights
Dimensions	L: 8 1/16 (205 mm) W: 4 5/8" (118 mm) H: 3" (77 mm)



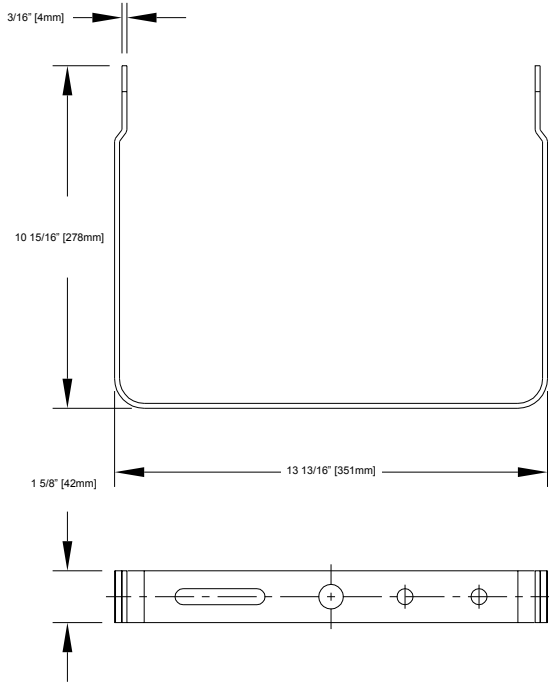
PRODUCT INFORMATION

Model #	FL5-YK-S
Description	Yoke for FL5-Series Area/Flood Lights (for 80 & 100W models)
Material	Die-cast aluminum
Compatible with	FL5-Series Area/Flood Lights
Dimensions	L: 8 3/8" (212 mm) W: 9 1/8" (232 mm) H: 1 9/16" (40 mm)

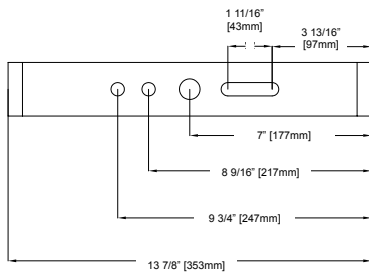
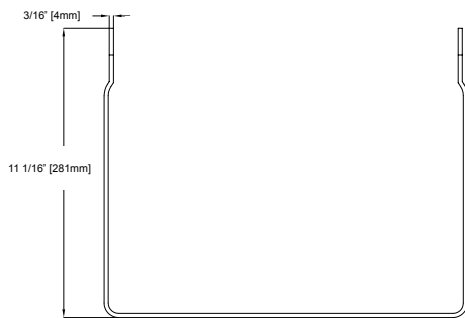


PRODUCT INFORMATION

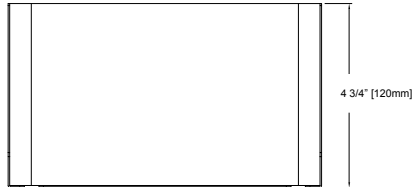
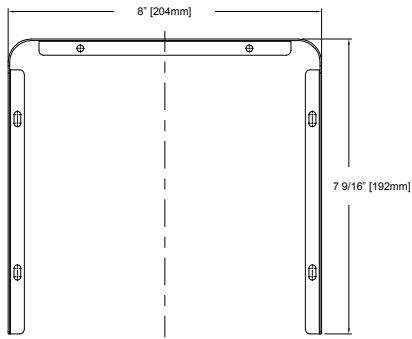
Model #	FL5-YK-M
Description	Yoke for FL5-Series Area/Flood Lights (for 150 & 200W models)
Material	Die-cast aluminum
Compatible with	FL5-Series Area/Flood Lights
Dimensions	L: 8 1/4" (210 mm) W: 11" (280 mm) H: 1 9/16" (40 mm)



PRODUCT INFORMATION	
Model #	FL5-YK-L
Description	Yoke for FL5-Series Area/Flood Lights (for 240W & 300W models)
Material	Die-cast aluminum
Compatible with	FL5-Series Area/Flood Lights
Dimensions	L: 10 15/16" (278 mm) W: 13 13/16" (351 mm) H: 1 5/8" (42 mm)

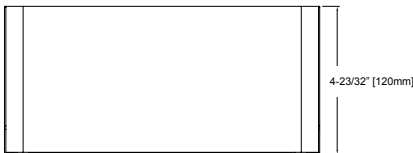
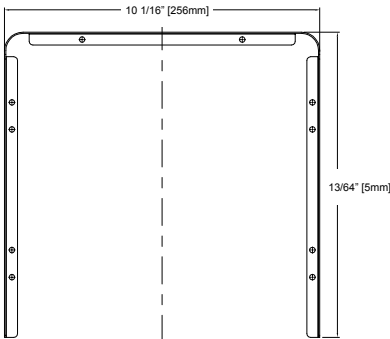


PRODUCT INFORMATION	
Model #	FL5-YK-XL
Description	Yoke for FL5-Series Area/Flood Lights (for 450W models)
Material	Die-cast aluminum
Compatible with	FL5-Series Area/Flood Lights
Dimensions	L: 11 1/16" (281 mm) W: 13 7/8" (353 mm) H: 1 5/8" (42mm)



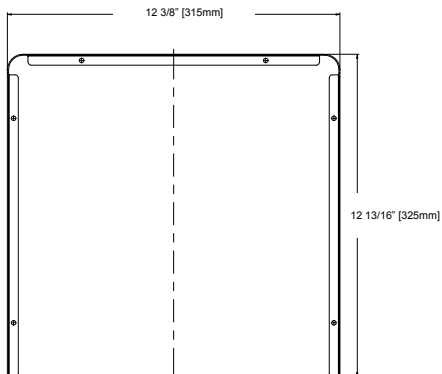
PRODUCT INFORMATION

Model #	FL5-SHIELD-S
Description	Glare Shield for FL5-Series Area/Flood Lights (80W & 100W, front or back)
Material	Die-cast aluminum
Compatible with	FL5-Series Area/Flood Lights
Dimensions	L: 7 9/16" (192 mm) W: 8" (204 mm) H: 4 3/4" (120 mm)



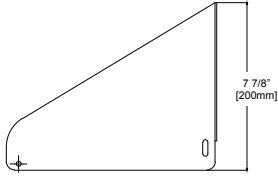
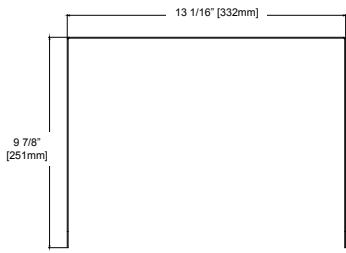
PRODUCT INFORMATION

Model #	FL5-SHIELD-M
Description	Glare Shield for FL5-Series Area/Flood Lights (150W & 200W, front or back)
Material	Die-cast aluminum
Compatible with	FL5-Series Area/Flood Lights
Dimensions	L: 9 3/4" (248 mm) W: 10 1/16" (256 mm) H: 4 3/4" (120 mm)



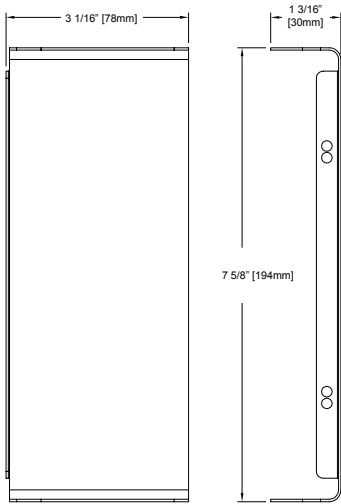
PRODUCT INFORMATION

Model #	FL5-SHIELD-L
Description	Glare Shield for FL5-Series Area/Flood Lights (240W & 300W, front or back)
Material	Die-cast aluminum
Compatible with	FL5-Series Area/Flood Lights
Dimensions	L: 12 3/8" (315 mm) W: 12 13/16" (325 mm) H: 4 3/4" (120 mm)



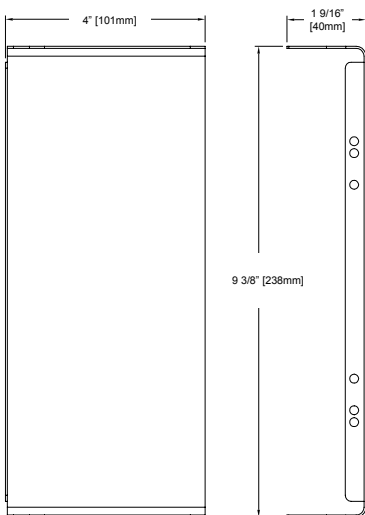
PRODUCT INFORMATION

Model #	FL5-SHIELD-XL
Description	Glare Shield for FL5-Series Area/Flood Lights (450W models only)
Material	Die-cast aluminum
Compatible with	FL5-Series Area/Flood Lights
Dimensions	L: 9 7/8" (251 mm) W: 13 1/16" (332 mm) H: 7 7/8" (200 mm)



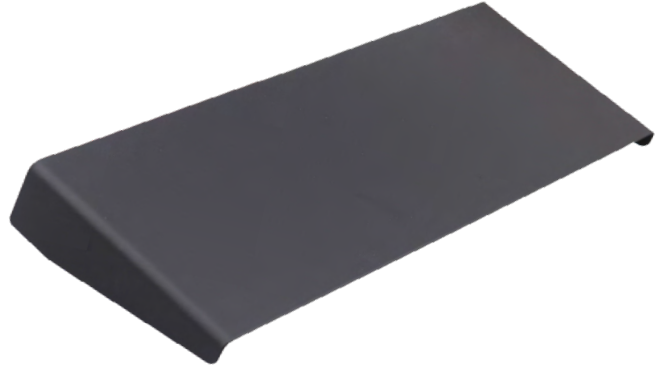
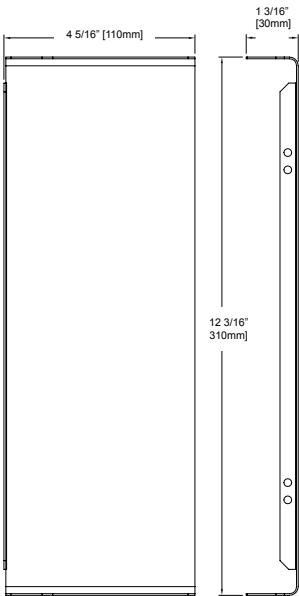
PRODUCT INFORMATION

Model #	FL5-SHIELD-SIDE-S
Description	Side Shield for FL5-Series Area/Flood Lights (for 80 & 100W either side)
Material	Die-cast aluminum
Compatible with	FL5-Series Area/Flood Lights
Dimensions	L: 7 5/8" (194 mm) W: 1 3/16" (30 mm) H: 3 1/16" (78 mm)



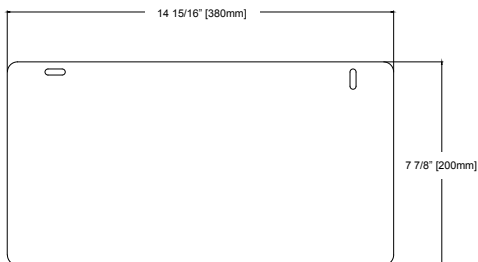
PRODUCT INFORMATION

Model #	FL5-SHIELD-SIDE-M
Description	Side Shield for FL5-Series Area/Flood Lights (450W models only)
Material	Die-cast aluminum
Compatible with	FL5-Series Area/Flood Lights
Dimensions	L: 9 3/8" (238 mm) W: 1 9/16" (40 mm) H: 4" (101 mm)



PRODUCT INFORMATION

Model #	FL5-SHIELD-SIDE-L
Description	Side Shield for FL5-Series Area/Flood Lights (240 & 300W either side)
Material	Die-cast aluminum
Compatible with	FL5-Series Area/Flood Lights
Dimensions	L: 12 3/16" (310 mm) W: 1 3/16" (30 mm) H: 4 5/16" (110 mm)



PRODUCT INFORMATION

Model #	FL5-SHIELD-SIDE-XL
Description	Side Shield for FL5-Series Area/Flood Lights (for 450W)
Material	Die-cast aluminum
Compatible with	FL5-Series Area/Flood Lights
Dimensions	L: 14 15/16" (380 mm) W: 7 7/8" (200 mm) H: 1/8" (3 mm)