

Model #	
Type	
Project	
Date	

WP2-SERIES ADJUSTABLE WALL PACK

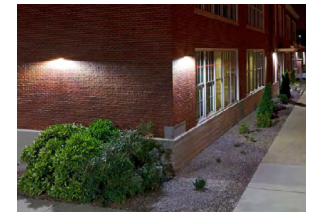
The WP2-Series Adjustable Wall Pack is a combination of exceptional value, contemporary design and flexible mounting options.

These fixtures do more than your average wall pack: they can also be used as flood lights and pole mounted lights with the ability to adjust the angle anywhere from 0° to 90°, making them suitable for almost any application.



HIGHLIGHTS

- Up to 110 lm/W
- 80+ CRI
- Features a pivoting LED head that locks from 0°-90°
- 110° beam angle
- IP65 rated
- Designed to work even in -40 degree weather
- Polycarbonate lens for durability and resistance to impact
- Backed by our worry-free 10 year warranty

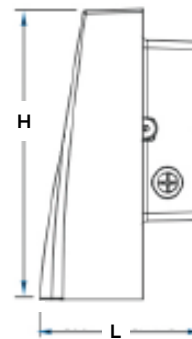


APPLICATIONS

Designed for outdoor applications in commercial, industrial, institutional, and retail spaces.

DIMENSIONS

VOLTAGE (V)	POWER (W)	L (inches/mm)	W (inches/mm)	H (inches/mm)	WEIGHT (kg/lbs)
120-277V	20	3-5/8" (92 mm)	6" (152 mm)	7-3/8" (187 mm)	1.1 kg / 2.4 lbs
	30				
	70	4" (102 mm)	9-1/2" (241 mm)	10-5/8" (270 mm)	3.0 kg / 6.6 lbs
200-480V	70				5.0 kg / 11.0 lbs



ORDERING GUIDE

SERIES	-	POWER (W)	CCT	-	VOLTAGE
WP2	-	20: 20W 30: 30W 70: 70W	4: 4000K	-	1: 120-277V 2: 200-480V
MODEL SELECTION					
SERIES	-	POWER (W)	CCT	-	VOLTAGE
WP2	-	30	4	-	1

EXAMPLE: WP2-304-1

PRODUCT FEATURES

CONSTRUCTION

- Matte bronze die-cast aluminum
- Four (4) 1/2" NPT threaded knockouts
- Polycarbonate lens
- Adjustable (0° - 90°)
- 110° beam angle

INSTALLATION

- Junction box or surface mount
- Heavy duty wall gasket
- Bubble level included

ELECTRICAL

- "-1" models designed to operate between 120-277V
- "-2" models designed to operate between 200-480V
- TRIAC dimming
- Power factor >0.9
- THD <20%

LISTINGS & RATINGS

- cETLus
- Wet location
- IP65
- Listed for use in -40°C to 40°C / -40°F to 104°F

RATED LIFE & WARRANTY

- LED system: >50,000 hours at L70
- 10 year warranty (visit premiseled.com/warranty/)

ORDERING INFORMATION

INPUT VOLTAGE	POWER (W)	CCT (K)	MODEL NUMBER	DELIVERED LUMENS (lm)	EFFICACY (lm/W)
120-277V	20W	4K	WP2-204-1	2,111 lm	105 lm/W
	30W	4K	WP2-304-1	3,092 lm	105 lm/W
	70W	4K	WP7-704-1	7,792 lm	110 lm/W
200-480V	70W	4K	WP7-704-2	7,580 lm	108 lm/W

PACKING INFORMATION

MODEL	CASE QUANTITY	PALLET QUANTITY
20W	CASE OF 8	288
30W	CASE OF 8	288
70W	CASE OF 4	160

ELECTRICAL INFORMATION

INPUT VOLTAGE	POWER (W)	APPARENT POWER (VA)	SYSTEM POWER (W)	CURRENT DRAW AT 120V _{ac}	CURRENT DRAW AT 208V _{ac}	CURRENT DRAW AT 240V _{ac}	CURRENT DRAW AT 277V _{ac}	CURRENT DRAW AT 347V _{ac}
120-277V	20W	-	19.9W	-	-	-	-	-
	30W	-	29.2W	-	-	-	-	-
	70W	-	70.6W	-	-	-	-	-
200-480V	70W	-	67.6W	-	-	-	-	-

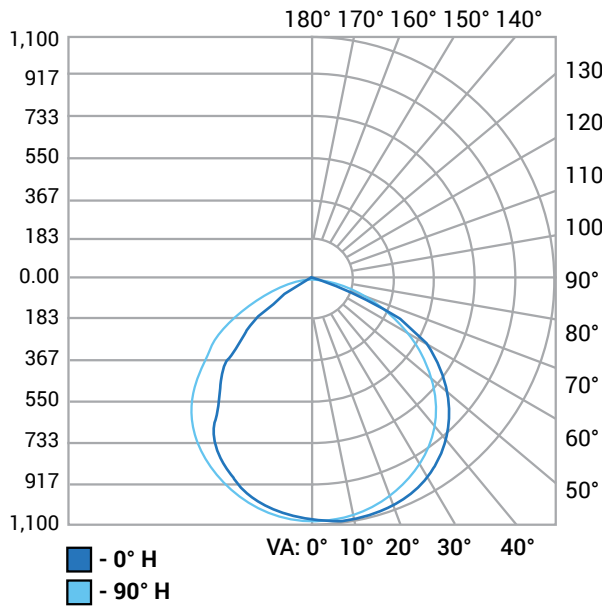
Specifications and dimensions subject to change without notice.

3401 ENTERPRISE PARKWAY
BEACHWOOD, OH USA 44122

80-86 CARRIER DRIVE
TORONTO, ON CANADA M9W 5R1

PHOTOMETRIC INFORMATION

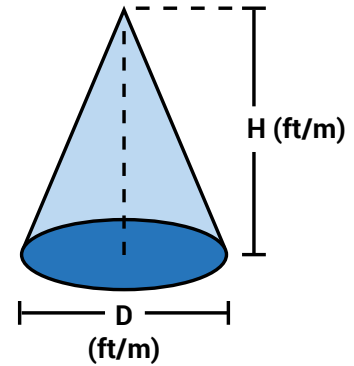
POLAR CANDELA DISTRIBUTION



POWER
20W

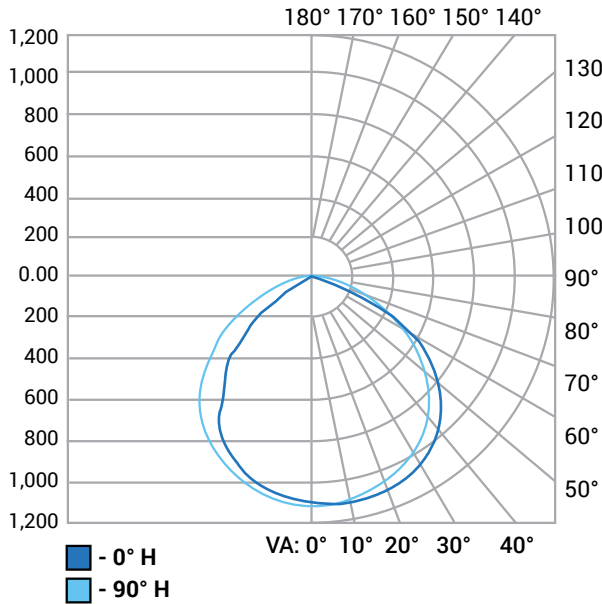
VOLTAGE
120-277V

ILLUMINANCE AT A DISTANCE



H (ft/m)	LUX	FC	D (ft/m)
6.6' (2m)	272.2	25.3	20.4' (6.2m)
9.8' (3m)	121.0	11.2	30.6' (9.3m)
13.1' (4m)	68.0	6.3	40.4' (12.3m)
16.4' (5m)	43.6	4.1	50.6' (15.4m)
19.7' (6m)	30.2	2.8	60.8' (18.5m)

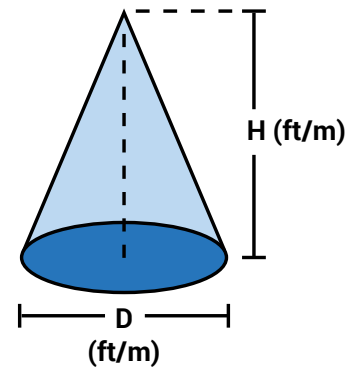
POLAR CANDELA DISTRIBUTION



POWER
30W

VOLTAGE
100-277V

ILLUMINANCE AT A DISTANCE



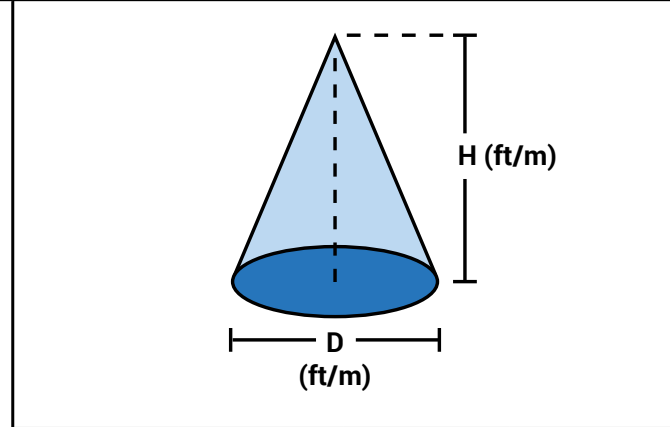
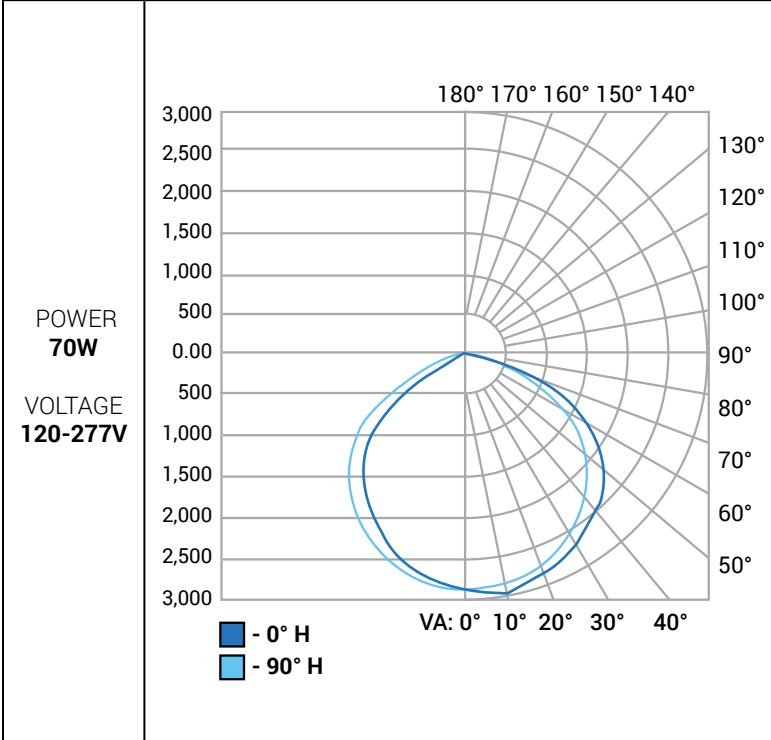
H (ft/m)	LUX	FC	D (ft/m)
6.6' (2m)	288.2	26.8	20.4' (6.2m)
9.8' (3m)	128.1	11.9	30.9' (9.4m)
13.1' (4m)	72.1	6.7	41.1' (12.5m)
16.4' (5m)	46.1	4.3	51.2' (15.6m)
19.7' (6m)	32.0	3.0	61.4' (18.7m)

*Based on operation at 4000K & 120V.

PHOTOMETRIC INFORMATION

POLAR CANDELA DISTRIBUTION

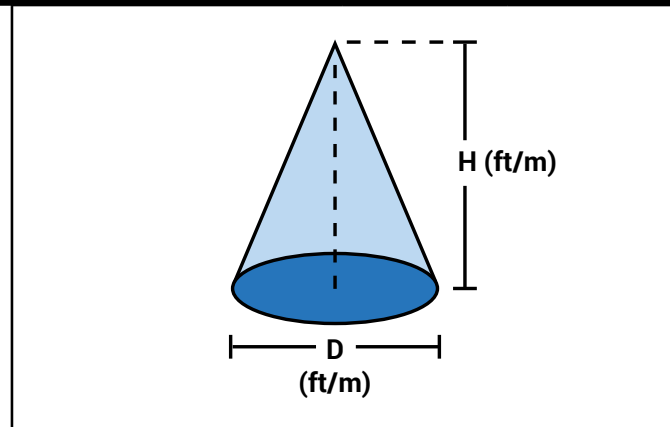
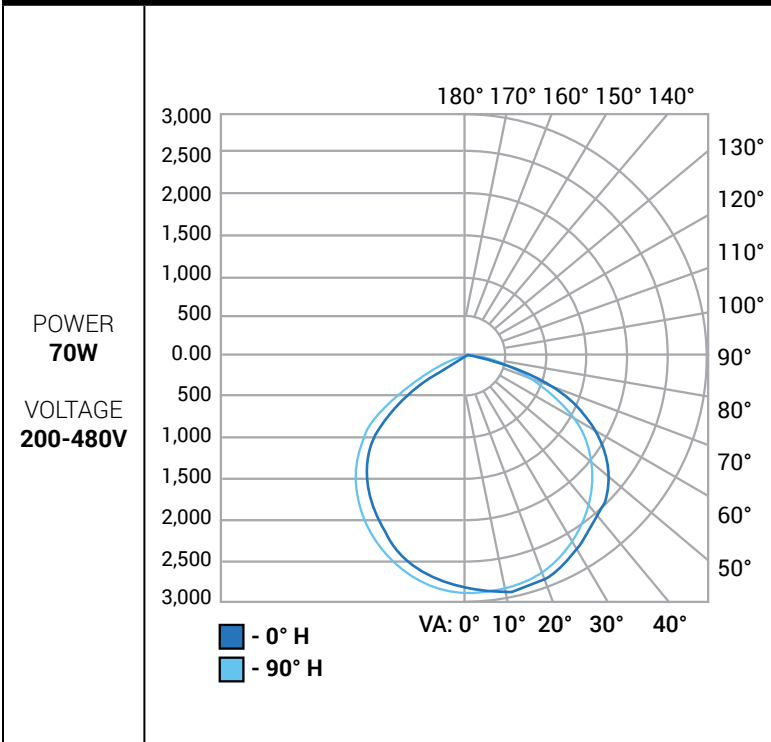
ILLUMINANCE AT A DISTANCE



H (ft/m)	LUX	FC	D (ft/m)
6.6' (2m)	721.0	70.0	20.7' (6.3m)
9.8' (3m)	320.5	29.8	30.9' (9.4m)
13.1' (4m)	180.3	16.8	41.1' (12.5m)
16.4' (5m)	115.4	10.7	51.2' (15.6m)
19.7' (6m)	80.1	7.4	61.8' (18.8m)

POLAR CANDELA DISTRIBUTION

ILLUMINANCE AT A DISTANCE



H (ft/m)	LUX	FC	D (ft/m)
6.6' (2m)	716.0	66.5	20.0' (6.1m)
9.8' (3m)	318.2	29.6	30.2' (9.2m)
13.1' (4m)	179.0	16.6	40.4' (12.3m)
16.4' (5m)	114.6	10.7	50.3' (15.3m)
19.7' (6m)	79.6	7.4	60.4' (18.4m)

*Based on operation at 4000K