



VRT VERT Area and Site Light

FEATURES

- Modern, low-profile design
- Easy installation
- 12,500-57,300 lumens
- Multiple mounting options available for versatile use
- Polycarbonate TIR optics
- Z10 enabled to simplify controls
- Designed for use with EiKO's aluminum or steel poles; contact EiKO for package pricing

CERTIFICATIONS

- UL Listed for wet locations
- IP65 Rated
- DesignLights Consortium® Premium Qualified - meets the requirements for the highest DLC qualification for efficacy and lumen maintenance
- 3G Rated per ANSI C136.31

PERFORMANCE

- Rated lifetime:
 - L70: 50,000 hours
 - L90: 36,000 hours
- 4000K, 5000K CCT
- CRI: >70

ELECTRICAL

- Input voltage: 120-277V; 277-480V
- 0-10V dimming
- Power Factor: >0.9
- THD: <20%
- 10kV driver, plus 10kV supplemental surge protection

THERMAL

- -40°F to 122°F (-40°C to 50°C) operating temperature

CONSTRUCTION

- Diecast aluminum body with durable powder coat finish
- UV stabilized polycarbonate lens
- Stainless steel hardware
- Z10 included on all fixtures

WARRANTY

- 5 year limited warranty. Additional warranty options available. Contact EiKO for details

project name	type
catalog number	voltage
approved by	date



VRT1



VRT2



VRT3

APPLICATIONS

- Parking Areas
- Automotive Dealerships
- Roadways
- Campuses
- Streetscapes
- Airports
- Area security lighting
- Building facades
- Signs
- Entryways

CONFIGURATOR

MODEL	LUMEN PACKAGE	CCT	VOLTAGE	DIMMING	DISTRIBUTION	FINISH	CONTROLS	MOUNT (REQUIRED)
VRT1 : VERT 100-150W	100W - 100W; 12,500 lm 150W - 150W; 19,700 lm	740 - 70 CRI; 4000K 750 - 70 CRI; 5000K	U - 120-277V V - 277-480V	D - 0-10V Dimming	T3 - Type 3 T5 - Type 5	BZ - Bronze	See p. 2 for options	VRT-S-BZ - Slipfitter, 2-3/8", Bronze VRT-D-BZ - Direct Mount, Bronze VRT-Y-BZ - Yoke Mount, Bronze
VRT2 : VERT 185-300W	185W - 185W; 24,000 lm 200W - 200W; 26,000 lm 240W - 240W; 31,000 lm 300W - 300W; 39,400 lm							
VRT3 : VERT 450W	450W - 450W; 57,300 lm							



PERFORMANCE SUMMARY

ORDER CODE	ITEM #	WATTS	NOMINAL LUMENS	CCT	DISTRIBUTION	DIMMING	VOLTS	REPLACES	DLC PREMIUM
11636	VRT1/100W/740/UD/T3/BZ	100W	12,500	4000K	T3	0-10V	120-277V	up to 320W	✓
11637	VRT1/100W/740/UD/T5/BZ	100W	12,500	4000K	T5	0-10V	120-277V	up to 320W	✓
11638	VRT1/100W/750/UD/T3/BZ	100W	12,500	5000K	T3	0-10V	120-277V	up to 320W	✓
11672	VRT1/100W/750/UD/T5/BZ	100W	12,500	5000K	T5	0-10V	120-277V	up to 320W	✓
11667	VRT1/150W/740/UD/T3/BZ	150W	19,700	4000K	T3	0-10V	120-277V	up to 400W	✓
11666	VRT1/150W/740/UD/T5/BZ	150W	19,700	4000K	T5	0-10V	120-277V	up to 400W	✓
11671	VRT1/150W/740/VD/T3/BZ	150W	19,700	4000K	T3	0-10V	277-480V	up to 400W	✓
11662	VRT1/150W/740/VD/T5/BZ	150W	19,700	4000K	T5	0-10V	277-480V	up to 400W	✓
11648	VRT1/150W/750/UD/T3/BZ	150W	19,700	5000K	T3	0-10V	120-277V	up to 400W	✓
11651	VRT1/150W/750/UD/T5/BZ	150W	19,700	5000K	T5	0-10V	120-277V	up to 400W	✓
11653	VRT1/150W/750/VD/T3/BZ	150W	19,700	5000K	T3	0-10V	277-480V	up to 400W	✓
11656	VRT1/150W/750/VD/T5/BZ	150W	19,700	5000K	T5	0-10V	277-480V	up to 400W	✓
11658	VRT2/185W/740/UD/T3/BZ	185W	24,000	4000K	T3	0-10V	120-277V	up to 400W	✓
11665	VRT2/185W/740/UD/T5/BZ	185W	24,000	4000K	T5	0-10V	120-277V	up to 400W	✓
11663	VRT2/185W/750/UD/T3/BZ	185W	24,000	5000K	T3	0-10V	120-277V	up to 400W	✓
11660	VRT2/185W/750/UD/T5/BZ	185W	24,000	5000K	T5	0-10V	120-277V	up to 400W	✓
11647	VRT2/200W/740/VD/T3/BZ	200W	26,000	4000K	T3	0-10V	277-480V	up to 400W	✓
11654	VRT2/200W/740/VD/T5/BZ	200W	26,000	4000K	T5	0-10V	277-480V	up to 400W	✓
11650	VRT2/200W/750/VD/T3/BZ	200W	26,000	5000K	T3	0-10V	277-480V	up to 400W	✓
11668	VRT2/200W/750/VD/T5/BZ	200W	26,000	5000K	T5	0-10V	277-480V	up to 400W	✓
11652	VRT2/240W/740/UD/T3/BZ	240W	31,000	4000K	T3	0-10V	120-277V	up to 400W	✓
11664	VRT2/240W/740/UD/T5/BZ	240W	31,000	4000K	T5	0-10V	120-277V	up to 400W	✓
11657	VRT2/240W/750/UD/T3/BZ	240W	31,000	5000K	T3	0-10V	120-277V	up to 400W	✓
11641	VRT2/240W/750/UD/T5/BZ	240W	31,000	5000K	T5	0-10V	120-277V	up to 400W	✓
11645	VRT2/300W/740/UD/T3/BZ	300W	39,400	4000K	T3	0-10V	120-277V	up to 1000W	✓
11655	VRT2/300W/740/UD/T5/BZ	300W	39,400	4000K	T5	0-10V	120-277V	up to 1000W	✓
11659	VRT2/300W/740/VD/T3/BZ	300W	39,400	4000K	T3	0-10V	277-480V	up to 1000W	✓
11670	VRT2/300W/740/VD/T5/BZ	300W	39,400	4000K	T5	0-10V	277-480V	up to 1000W	✓
11661	VRT2/300W/750/UD/T3/BZ	300W	39,400	5000K	T3	0-10V	120-277V	up to 1000W	✓
11642	VRT2/300W/750/UD/T5/BZ	300W	39,400	5000K	T5	0-10V	120-277V	up to 1000W	✓
11643	VRT2/300W/750/VD/T3/BZ	300W	39,400	5000K	T3	0-10V	277-480V	up to 1000W	✓
11669	VRT2/300W/750/VD/T5/BZ	300W	39,400	5000K	T5	0-10V	277-480V	up to 1000W	✓
11934	VRT3/450W/740/UD/T3/BZ	450W	57,300	4000K	T3	0-10V	120-277V	up to 1200W	✓
11935	VRT3/450W/740/VD/T3/BZ	450W	57,300	4000K	T3	0-10V	277-480V	up to 1200W	✓
11646	VRT3/450W/750/UD/T3/BZ	450W	57,300	5000K	T3	0-10V	120-277V	up to 1200W	✓
11644	VRT3/450W/750/UD/T5/BZ	450W	57,300	5000K	T5	0-10V	120-277V	up to 1200W	✓

MOUNTING ACCESSORIES (MUST BE ORDERED WITH FIXTURE)

10162	VRT-S-BZ	Slipfitter Mount for VERT, 2 3/8", Bronze
10135	VRT-D-BZ	Direct Mount for VERT, Bronze
10134	VRT-Y-BZ	Yoke Mount for VERT, Bronze

MADE TO ORDER OPTIONS

(Contact Regional Sales Manager for details)

EXAMPLE: VRT/100W/840/UD/T4/BZ-PCR7

T4	Type 4 Distribution
PCR7	NEMA 7-Pin locking photo control receptacle per NEMA C136.41§

PHOTOCELLS

ORDER CODE	ITEM #	DESCRIPTION
12092	PC1-4500K	Shorting Plug 120480V 15A 2-yr Warranty
10041	PC1-4536S-U	Photocell Twist-lock 120-277V 2A (6-yr Warranty)
10042	PC1-4536P-U	Premium Photocell Twist Lock 120-277V 6A (8-yr Warranty)
10203	PC1-4537-V	Photocell Twist Lock 347-480V 6A 6-yr Warranty
10204	PC1-4537SC-V	Premium Photocell Twist Lock 347-480V 8A 12-yr Warranty

§Photocell must be ordered separately.

Extended warranty period applies to the photocell device only. Refer to the device manufacturer's warranty for details.

CONTROLS

ORDER CODE	ITEM #	DESCRIPTION
SENSORS		
11947	SEN5A/PIR/Z10*	PIR motion sensor with daylight threshold
11931	SEN5A/M/Z10#	Microwave motion sensor
11933	SEN5A/CT	Commissioning Tool for Series 5 Sensors

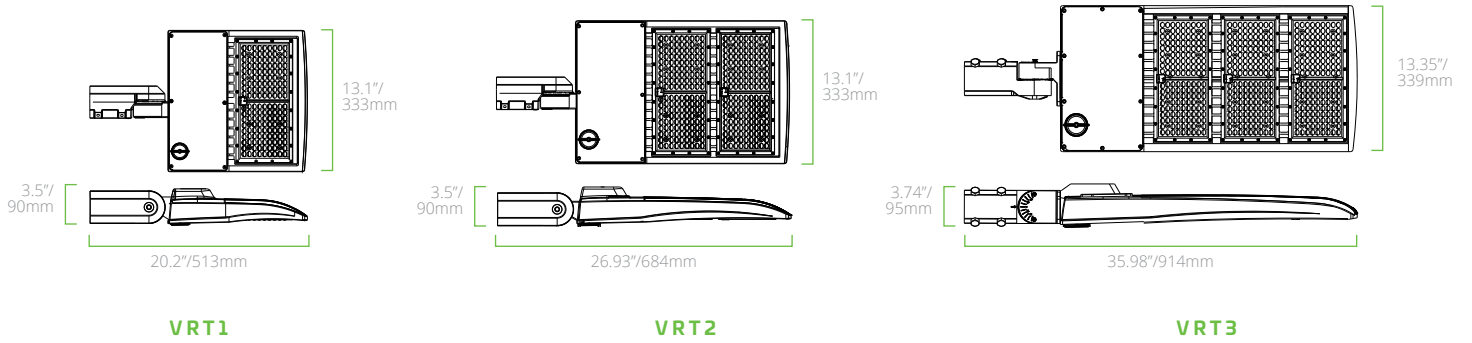
*Must order SEN5A/CT commissioning tool to configure sensor
#Daylight threshold option not compatible with VRT.

POLE ADAPTORS

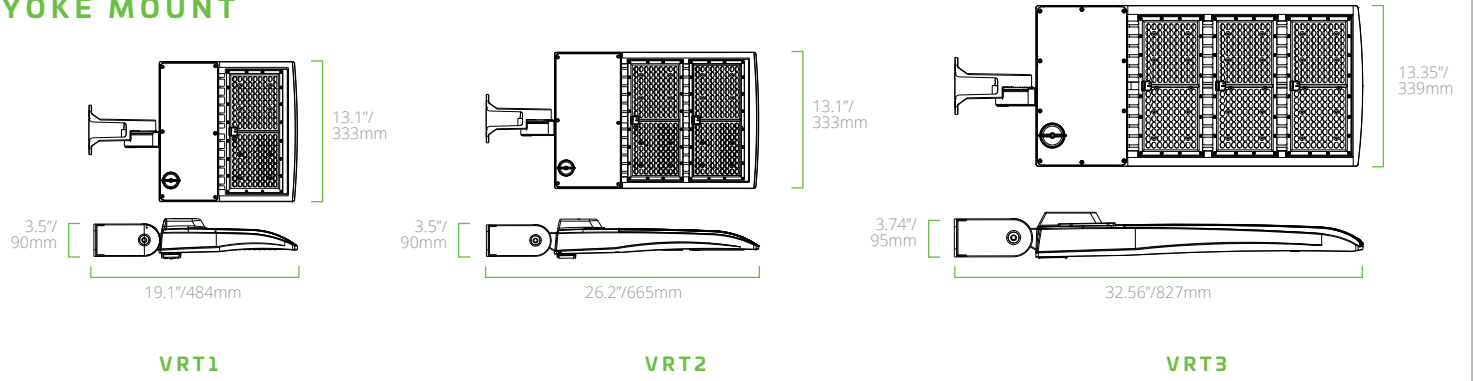
ORDER CODE	ITEM #	DESCRIPTION
SENSORS		
13127	PA-2BH-BK	Bullhorn, 2 Tenon Inline
13128	PA-3BH-BK	Bullhorn, 3 Tenon Inline
13129	PA-4XBH-BK	Bullhorn, 4 Tenon, 90 Degrees

PRODUCT DIMENSIONS

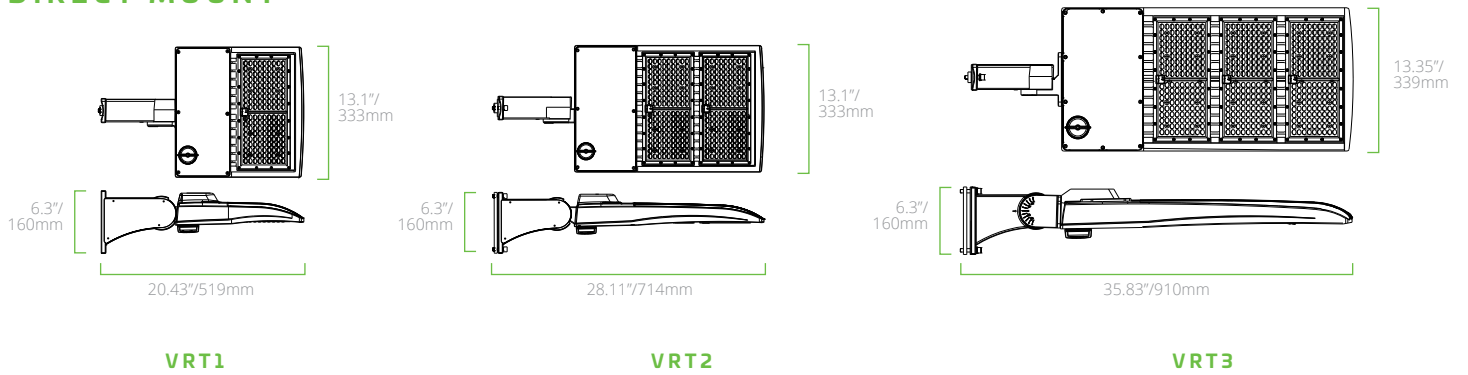
SLIPFITTER MOUNT



YOKE MOUNT



DIRECT MOUNT

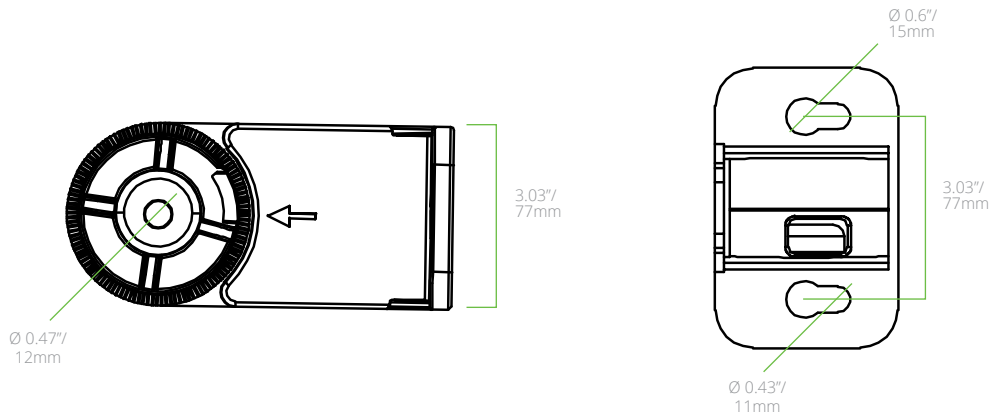


MOUNT DIMENSIONS

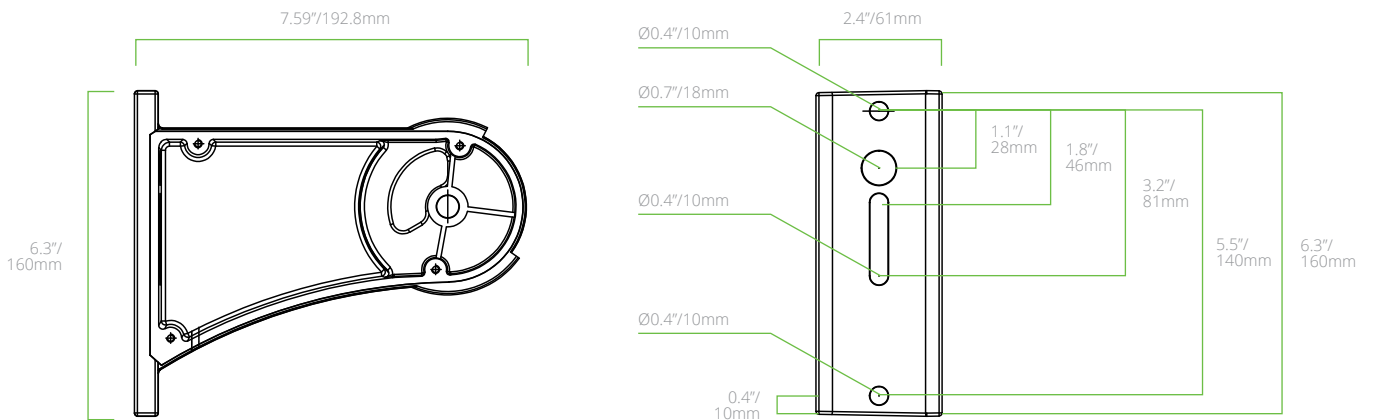
SLIPFITTER MOUNT



YOKE MOUNT

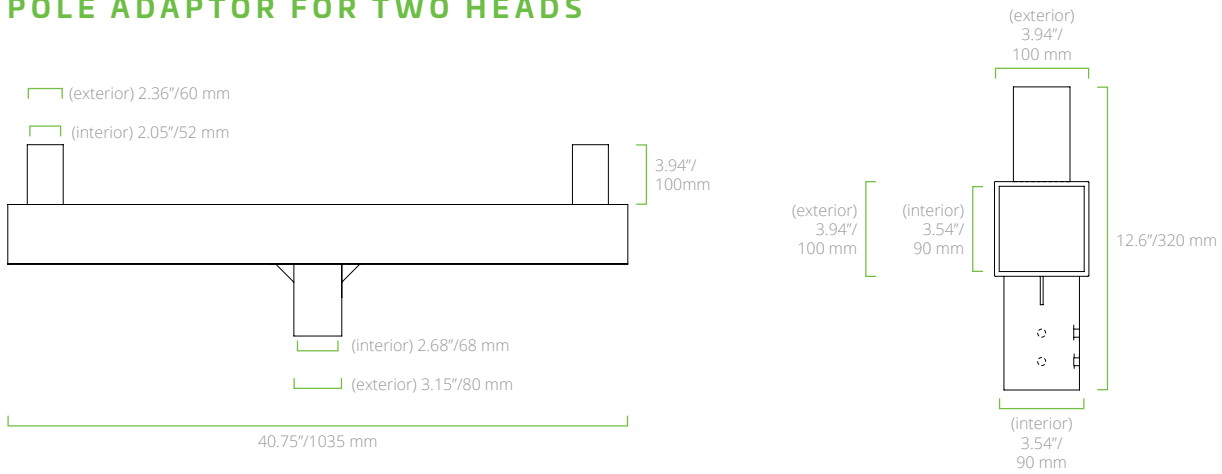


DIRECT MOUNT

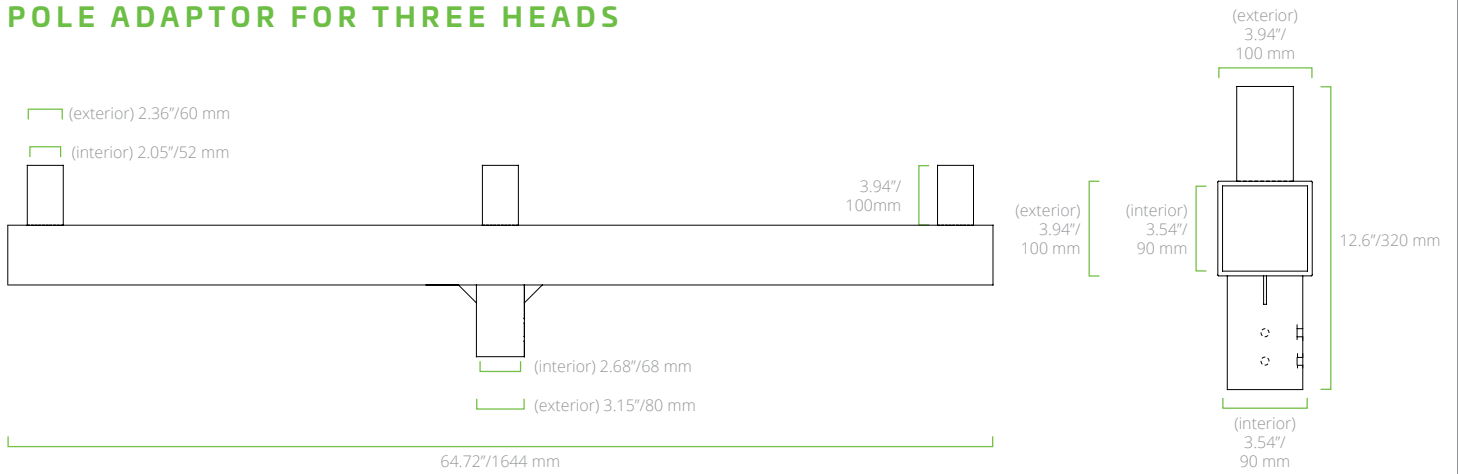


POLE ADAPTOR DIMENSIONS

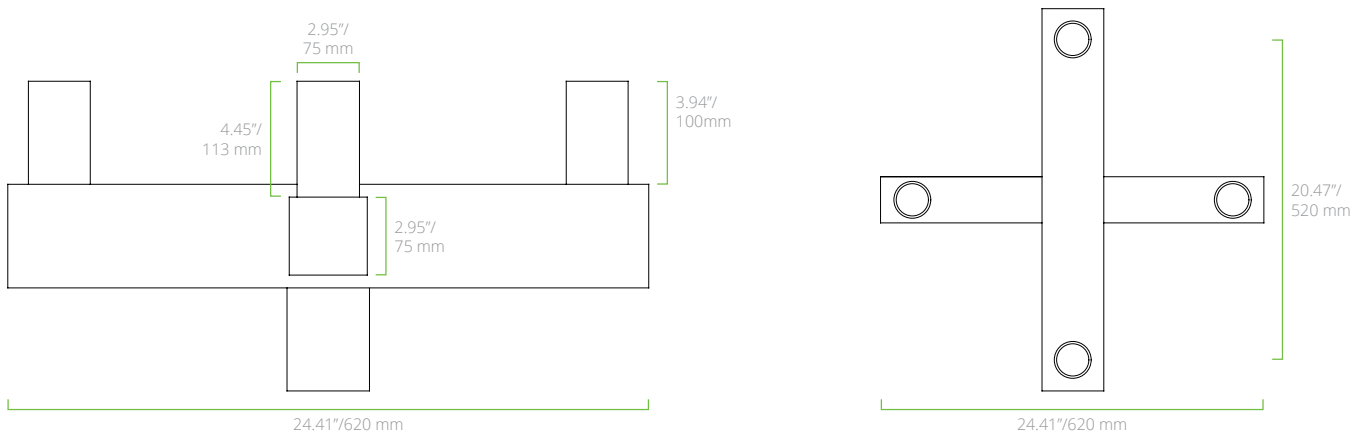
POLE ADAPTOR FOR TWO HEADS



POLE ADAPTOR FOR THREE HEADS



POLE ADAPTOR FOR FOUR HEADS

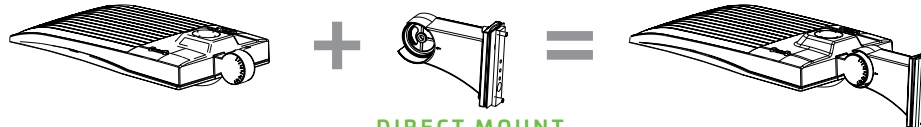


CONFIGURATIONS

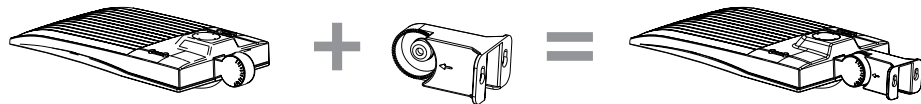
(MOUNTS ORDERED SEPARATELY AND FIELD INSTALLED)



SLIPFITTER MOUNT



DIRECT MOUNT



YOKE MOUNT

MOUNTING CONFIGURATIONS

VRT1



S Single
EPA: 0.8
Weight: 12.9 lbs.



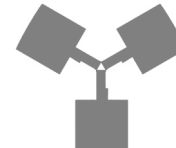
D90 Double 90°
EPA: 0.98
Weight: 24.8 lbs.



D180 Double 180°
EPA: 1.5
Weight: 24.8 lbs.



T90 Triple 90°
EPA: 1.55
Weight: 36.7 lbs.



T90 Triple 120°
EPA: 1.55
Weight: 36.7 lbs.



Q90 Quad 90°
EPA: 1.55
Weight: 48.6 lbs.

VRT2



S Single
EPA: 1.1
Weight: 18.6 lbs.



D90 Double 90°
EPA: 1.28
Weight: 36.2 lbs.



D180 Double 180°
EPA: 1.9
Weight: 36.2 lbs.



T90 Triple 90°
EPA: 2.0
Weight: 53.8 lbs.



T90 Triple 120°
EPA: 2.0
Weight: 53.8 lbs.



Q90 Quad 90°
EPA: 2.0
Weight: 69.8 lbs.

VRT3



S Single
EPA: 1.1
Weight: 18.6 lbs.



D90 Double 90°
EPA: 1.28
Weight: 36.2 lbs.



D180 Double 180°
EPA: 1.9
Weight: 36.2 lbs.



T90 Triple 90°
EPA: 2.0
Weight: 53.8 lbs.

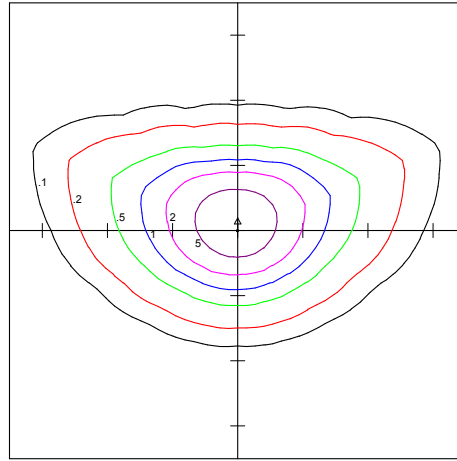


T90 Triple 120°
EPA: 2.0
Weight: 53.8 lbs.



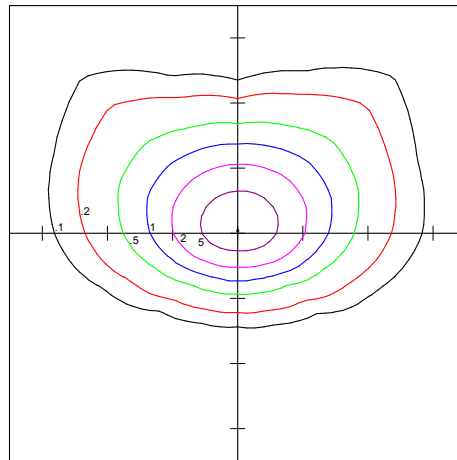
Q90 Quad 90°
EPA: 2.0
Weight: 69.8 lbs.

T3 DISTRIBUTION



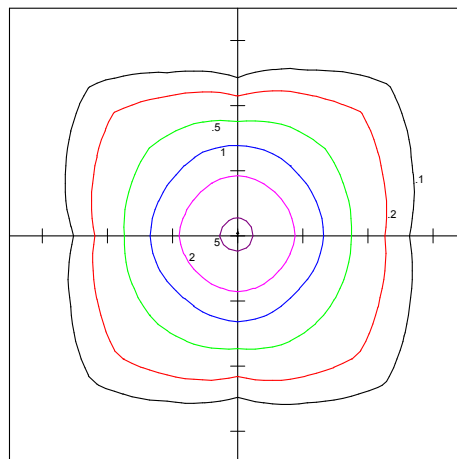
Distances are in units of mounting height (20').

T4 DISTRIBUTION



Distances are in units of mounting height (20').

T5 DISTRIBUTION



Distances are in units of mounting height (20').