



SEN Screw-In Z10 Adaptor

HIGHLIGHTS

- For use with compatible Z10 sensors and fixture controllers
- Adapter uses a 1/2" screw-in receptacle to convert and make it Z10-ready
- IP65-rated design for use in wet environments

CERTIFICATIONS

- IP65 Rated

ELECTRICAL

- Input voltage: 12-24VDC

CONSTRUCTION

- High strength, UV resistant white plastic housing

WARRANTY

- 5-Year limited warranty available [online](#). Contact your EiKO sales rep for additional details.

project name	type
catalog number	voltage
approved by	date



APPLICATIONS

- Dealerships
- Manufacturing Plants
- Soccer Fields
- Distribution Centers
- Parking Lots

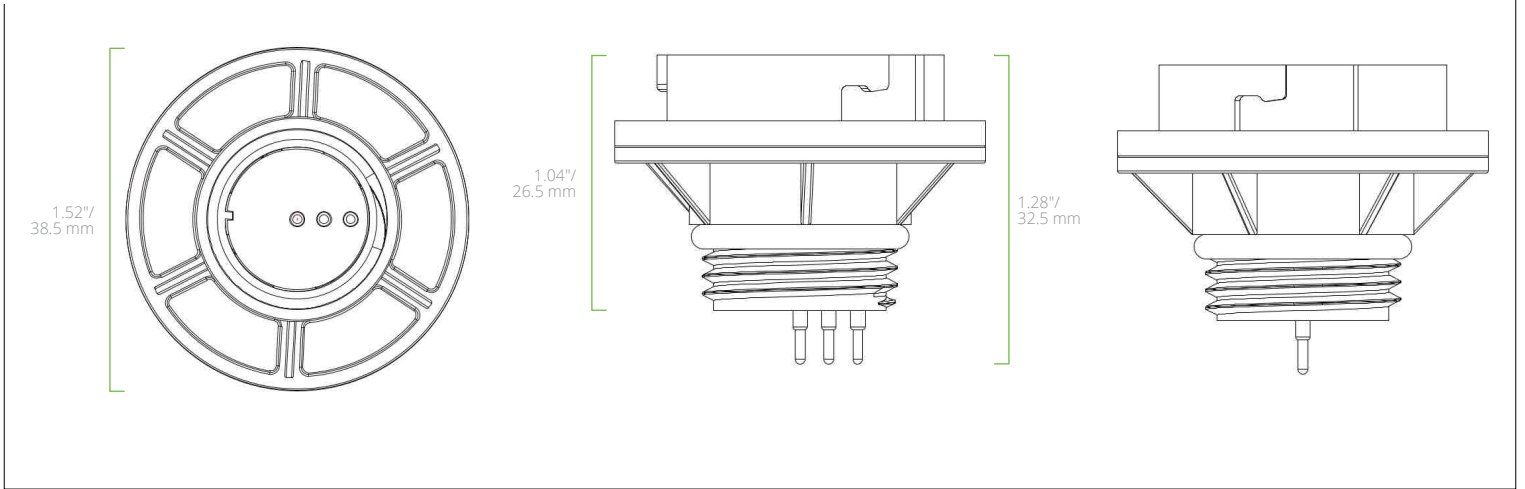
AVAILABLE MODEL

ORDER CODE	ITEM #	INPUT VOLTAGE	INSTALLATION TYPE	HOUSING COLOR
13467	SENA-APZ-WH	12-24VDC	Screw-In, 3-Pin	White

COMPATIBLE DEVICES

ORDER CODE	ITEM #	DESCRIPTION
12643	PSC-ZKV-WCM-100-BLE-SR	BLE TruBlu Z10 Twist Lock Fixture Controller 12-24V 0-10V Brown
11931	SEN5A/M/Z10	Stand-Alone Z10 MW Sensor 12-24V Ambient Threshold 0-10V 20-40ft White
11947	SEN5A/PIR/Z10	Stand-Alone Z10 PIR Sensor 12-24V Ambient Threshold 0-10V 20-40ft White
13341	SEN5A-SZMR-WH	Stand-Alone Z10 MW Sensor 12-24V Daylight Harvesting 0-10V 20-40ft White
13342	SEN5A-SZPR-WH	Stand-Alone Z10 PIR Sensor 12-24V Daylight Harvesting 0-10V 20-40ft White
13246	SENA-WZPA-WH	BLE Z10 PIR Sensor 12-24V Daylight Harvesting 0-10V 20-40ft IP65 White
12067	Z10-2341474-3	Z10 Sealing Cap (White)

PRODUCT DIMENSIONS



WIRING DIAGRAM

