



NLC Wireless Wall Controllers - Bluetooth® Low Energy (BLE)

HIGHLIGHTS

- Wireless Controller for Network Lighting Controls (NLC) using SIG Qualified Bluetooth® mesh
- Designed for easy surface or flush mount installation or as a wireless remote
- The free iOS App powered by Silviar is used for onsite commissioning which includes setting up areas/grouping/zoning, creating profiles, and personal control
- The Web App powered by Silviar is used for optional offsite pre-planning which includes setting up areas/grouping/zoning (pre-commissioning not required) and creating profiles (includes setting high and low end trim, occupancy or vacancy, daylight harvesting and time delay)
- No hubs, gateway, or routers are required to make a complete mesh network. The unit can pair with the Silviar iOS App to allow initial setup and subsequent adjustments
- Easily incorporate additional BLE devices like wall/wireless controllers, sensors, fixture controllers, range extenders, and timekeepers
- Over-the-air Firmware upgrade available via iOS App
- A device that is part of EiKO's NLC System

CERTIFICATIONS

- FCC Compliant

PERFORMANCE

- Communication Range: up to 32.8ft*
- Manual on/off (wireless)
- Continuous Dimming (wireless)
- Scene setting recall

ELECTRICAL

- Self-powered

THERMAL

- -13°F to 149°F (-25°C to 65°C) operating temperature

CONSTRUCTION

- Surface or Flush Mounted installation
- White plastic housing

WARRANTY

- 5-Year limited warranty available [online](#). Contact your EiKO sales rep for additional details.

project name	type
catalog number	voltage
approved by	date



EDRPB-W-EO

ESRPB-W-EO

EASYFIT
by EnOcean



APPLICATIONS

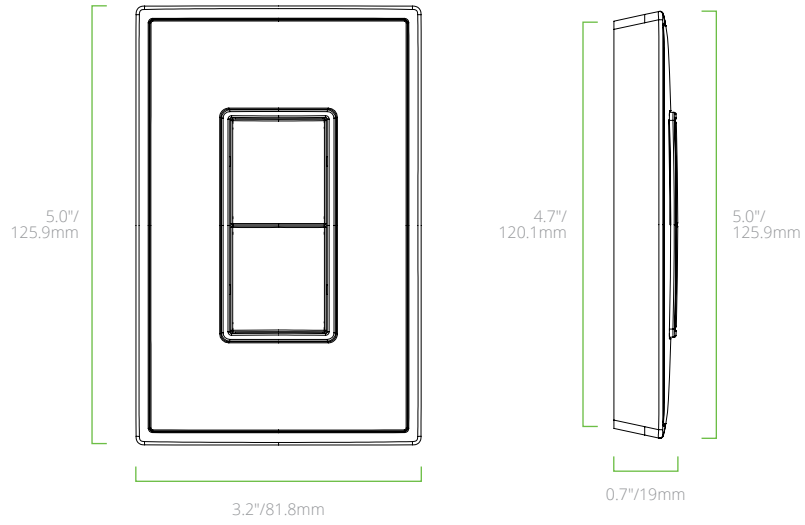
- Office space
- Classrooms
- Conference rooms
- Storage spaces
- Break rooms
- Restrooms

AVAILABLE MODELS

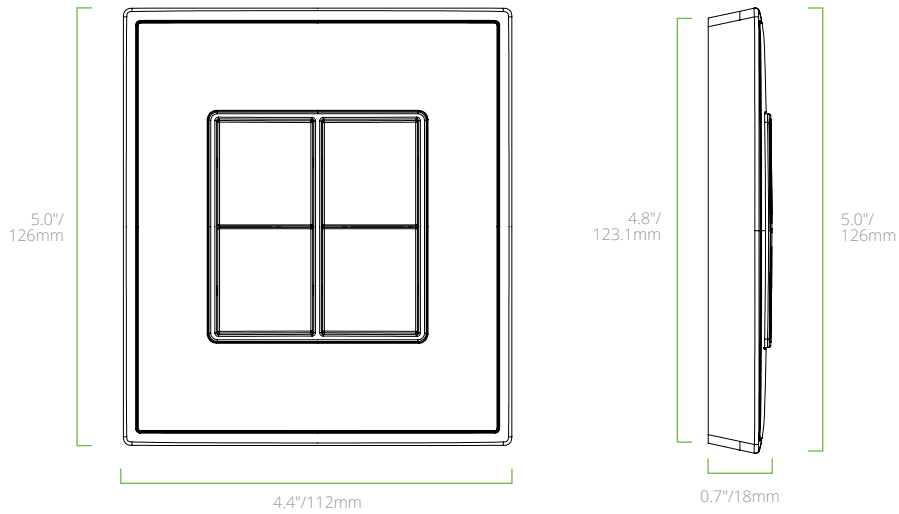
ORDER CODE	ITEM #	SENSOR TECHNOLOGY	WIRELESS TECHNOLOGY	ROCKER	COMMUNICATION RANGE*	INSTALLATION TYPE
12654	ESRPB-W-EO	Wireless Controller	Bluetooth® SIG Mesh	Single	32.8ft	Wireless, Self-Powered
12655	EDRPB-W-EO	Wireless Controller	Bluetooth® SIG Mesh	Double	32.8ft	Wireless, Self-Powered

*Communication range highly depends on the intergrated fixtures, surrounding environment, and conditions. It is recommended to conduct testing in each unique application for range accuracy. For a longer communication range, a Range Extender is recommended (per zone).

PRODUCT DIMENSIONS



ESRPB-W-EO



EDRPB-W-EO