



# NLC Z10 Twist Lock Wireless Fixture Controller - Bluetooth® Mesh

## HIGHLIGHTS

- Z10 Twist Lock Wireless Fixture Controller for Network Lighting Controls (NLC) using SIG Qualified Bluetooth® mesh
- Designed for use with EiKO Z10 receptacles for quick and easy twist lock installation in the field
- The free iOS App powered by Silviar is used for onsite commissioning which includes setting up areas/grouping/zoning, creating profiles which includes setting high and low end trim, as well as personal control
- The Web App powered by Silviar is used for optional offsite pre-planning which includes setting up areas/grouping/zoning (pre-commissioning not required) and creating profiles (includes setting high and low end trim, and time delay)
- No hubs, gateway, or routers are required to make a complete mesh network. The unit can pair with the Silviar iOS App to allow initial setup and subsequent adjustments
- Easily incorporate additional BLE devices like wall/wireless controllers, sensors, fixture controllers, range extenders, and timekeepers
- Over-the-air Firmware upgrade available via iOS App
- A device that is part of EiKO's NLC System

## CERTIFICATIONS

- cULus Listed for Wet Locations
- IP65 Rated
- FCC Compliant
- RoHS Compliant

## PERFORMANCE

- Onboard Omnidirectional Antenna
- Operational frequency: 2.4 GHz - 2.483 GHz
- Communication range of 49-65ft\*
- Continuous and Bi-Level Dimming

## ELECTRICAL

- Input voltage: 12-24VDC
- Input current: 100mA
- 0-10V

## THERMAL

- -40°F to 158°F (-20°C to 70°C) operating temperature

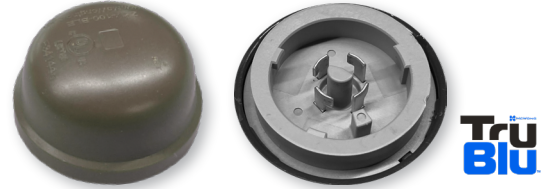
## CONSTRUCTION

- Brown plastic housing
- Z10 Twist Lock installation

## WARRANTY

- 5-Year limited warranty available [online](#). Contact your EiKO sales rep for additional details.

project name	type
catalog number	voltage
approved by	date



PSC-ZKV-WCM-100-BLE-SR



## APPLICATIONS

- Warehouses
- Manufacturing Plants
- Distribution Centers
- 24-hour Fitness Centers
- Car Dealerships
- Soccer Fields
- Parking Lots

## AVAILABLE MODEL

ORDER CODE	ITEM #	INPUT VOLTAGE	WIRELESS TECHNOLOGY	DIMMING	COMMUNICATION RANGE*	INSTALLATION TYPE
12643	PSC-ZKV-WCM-100-BLE-SR	12-24VDC	Bluetooth® SIG Mesh	0-10V	49 - 65ft	Z10, Twist Lock

\*Communication range highly depends on the intergrated fixtures, surrounding environment, and conditions. It is recommended to conduct testing in each unique application for range accuracy. For a longer communication range, a Range Extender is recommended (per zone).

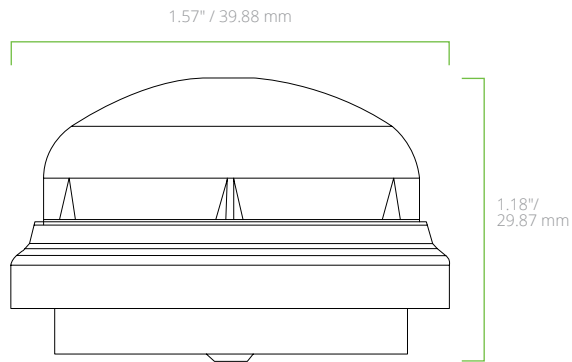
## ACCESSORIES

ORDER CODE	ITEM #	DESCRIPTION
13467	SENA-APZ-WH	Z10 Adaptor 1/2" Screw-in Spring Load Pins to Z10 Receptacle, IP65 (White)
13343	SEN-AZ-WH	Z10 Stem & Swivel Mount Adaptor, IP65 (White)

## COMPATIBLE BLE DEVICES

ORDER CODE	ITEM #	DESCRIPTION
12635	PSC-DM-WS-100-BLE-SR	BLE TruBlu Single Button Bluetooth Mesh Wall Controller 120-277V White
12636	PSC-DM-I-WS-100-BLE-SR	BLE TruBlu Wireless Occupancy or Vacancy Sensor Dimming Wall Controller 120-277V White
12637	PSC-DM-WS-400-BLE-SR	BLE TruBlu 4-Button Wireless Bluetooth Mesh Wall Controller 120-277V White
12654	ESRPB-W-EO	BLE Easyfit by EnOcean Single Rocker Pad Wireless Controller Self-powered White
12655	EDRPB-W-EO	BLE Easyfit by EnOcean Double Rocker Pad Wireless Controller Self-powered White
12994	PSC-RET-100-BLE-SR	BLE TruBlu Range Extender 120-277V 800ft Nema 4x Outdoor Enclosure
12993	PSC-TKP-200-BLE-SR	BLE TruBlu Battery Backup Timekeeper and Range Extender 120V 800ft Nema 4x Outdoor Enclosure
12634	PSC-WCM-450-BLE-SR	BLE TruBlu Wireless Control Module 0-10V dimming 12V AUX 300mA 120-277V 16A 100ft

## PRODUCT DIMENSIONS



## PIN DESCRIPTION

