



EEB Emergency Battery Kit

HIGHLIGHTS

- Emergency Battery designed for a quick installation to provide backup power during power outages, ensuring facilities always have a reliable light source
- Integrated safety hook directly latches onto UFO/round high bay's existing eyebolt
- Constant power design provides constant light output for 90 minutes
- Self-diagnostic testing: 30 seconds monthly, 90 minutes annually
- Wireless remote control testing

CERTIFICATIONS

- Evaluated to UL 924 requirements
- CSA C22.2 NO.141 Field or factory installation
- Meets CEC Title 20 efficiency standards
- cULus Listed for Wet Locations
- IP65 Rated
- FCC Compliant
- RoHS Compliant

ELECTRICAL

- Input voltage: 120-347VAC or 277-480VAC
- Input power: 12W (max)
- Output voltage: 170VDC (120-347VAC model) or 500VDC (277-480VAC model)
- Power factor: >0.5
- Emergency operation duration: ≥90 minutes
- Recharge time: 24 hours
- Surge Protection: 3KV
- Auxiliary Power: 12VDC 200mA
- Dimmable: 0-10V dimming

THERMAL

- -32°F to 122°F (0°C to 50°C) operating temperature

CONSTRUCTION

- Aluminium housing with red finish
- Includes Safety Cable (x1) with Chain Link Connector (x2), Hook Bolt (x1), Eyebolt (x1), Cable Glands for Wire Diameter 0.118-0.248" (x2), and Cable Glands for Wire Diameter 0.196-0.393" (x2).

COMPATIBILITY

- Compatible with BAYE2, BAYE3, HBX2, HBX3 series Round High Bays

WARRANTY

- 5-Year limited warranty available [online](#). Contact your EiKO sales rep for additional details.

project name	type
catalog number	voltage
approved by	date



APPLICATIONS

Used as a backup battery for UFO/round high bays commonly installed in:

- Warehouses
- Gyms

AVAILABLE MODELS

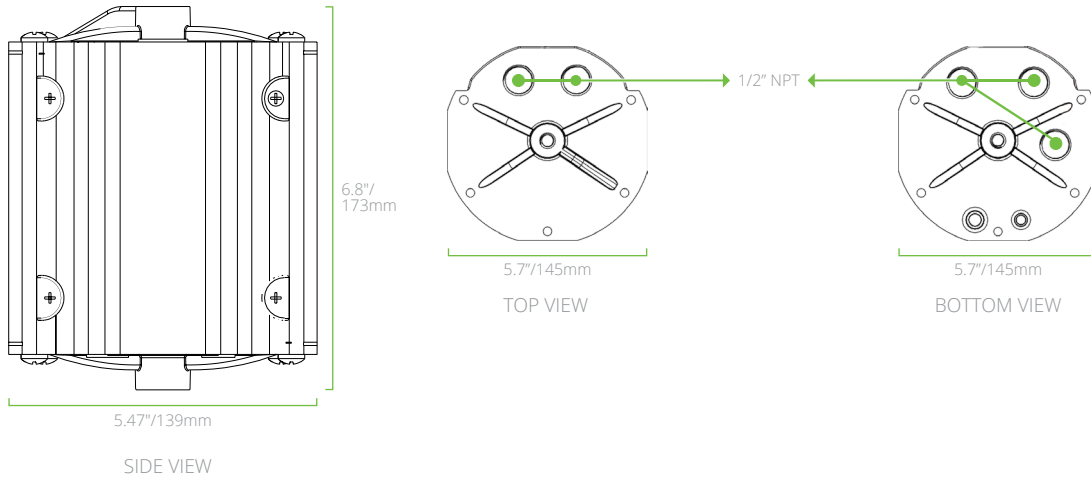
ORDER CODE	ITEM #	INPUT VOLTAGE	MAXIMUM CURRENT	OUTPUT POWER	RATED OUTPUT CURRENT	OUTPUT VOLTAGE	MAX. FIXTURE WATTAGE	RECHARGE TIME
12901	EEBW40WHA170	120-347VAC	200mA	40W	Varies with Load	170VDC	240W and Below	24 Hours
12902	EEBW40WVA500	277-480VAC	200mA	40W	Varies with Load	500VDC	320W and Below	24 Hours

Prior to installation, customer should verify suitability for the application. Contact EiKO for information regarding use with EiKO LED fixtures.

ACCESSORIES

ORDER CODE	ITEM #	DESCRIPTION
13293	RC-001	Remote Control for EEBW Emergency Battery
10741	BAY-E-PA-3/4NPS-BK	BAY-E Pipe Adapter for 3/4 NPS

PRODUCT DIMENSIONS



PRODUCT EXPLODED VIEW

