



EP1 Edgelit Flat Panel

HIGHLIGHTS

- Thin profile is ideal for shallow plenum spaces
- Uses a high quality, non-yellowing PMMA light guide plate for optimum light uniformity
- Available in 1'x4', 2'x2' and 2'x4' sizes
- PowerSet feature allows for multiple lumen stops out of the box
- FieldCCeT features provides multiple color temperature settings in one fixture
- Easily add Room Level Control (Standalone or Networked Lighting Control) and Fixture Level Control (Networked Lighting Controls)

CERTIFICATIONS

- ETL listed for US & Canada
- RoHS Compliant
- FCC Compliant
- ICES-005 Compliant
- IC Rated for insulation contact
- Damp Location rated

PERFORMANCE

- High efficacy, up to 125 lm/W
- Available in PowerSet models: (power-selectable 30/25/20W in 1'x4', 2'x2' or 50/40/30W in 2'x4')
- Available in FieldCCeT models: (field-selectable CCT 35/40/5000K)
- CRI: 80+
- Beam Angle: 120°
- Rated life: 50,000 hours

ELECTRICAL

- Input voltage: 120-277V
- 0-10V dimming, dim-to-off
- Surge Protection: 2 kV
- Power Factor: >0.9
- THD: <20%

THERMAL

- -4°F to 104°F (-20°C to 40°C) ambient operating temperature

CONSTRUCTION

- White powder coated aluminum frame
- Non-yellowing PMMA diffuse lens

WARRANTY

- 5-Year limited warranty available [online](#). Contact your EIKO sales rep for additional details.

KEY FEATURES

THIN, EDGELIT DESIGN

An ultra-slim profile provides a sleek appearance and offers more installation options: for drop ceilings, surface mounting, or suspended architecturally

EXTENDED J-BOX

Four knockouts and a larger junction box allows for easy access and quick installations

INCLUDED SEISMIC CLIPS

With the integrated seismic clips, easily install and secure flat panels onto T-bar grids

| | |
|----------------|---------|
| project name | type |
| catalog number | voltage |
| approved by | date |



1X4



2X2



2X4



APPLICATIONS

- Office
- Hospitals
- Retail
- Schools
- General Purpose lighting



MODEL CONFIGURATOR

| MODEL | SIZE | WATTS | CCT | VOLTAGE & DIMMING |
|---------------------------|--|--|--|-----------------------------------|
| EP1: Edgelit Panel | 14: 1' x 4' 22: 2' x 2' 24: 2' x 4' | PS30: 30/25/20W PS50: 50/40/30W * PS default setting is the highest wattage | FCCT: 35K / 40K / 5000K* FCCT: 35K / 40K / 5000K* * FCCT default setting is 4000K | U: 120-277V, 0-10V dimming |

*Not all model combinations are available. See item list on following page for possible combinations

FACTORY INSTALLED OPTIONS

| CUSTOM CORD LENGTH | EMERGENCY BATTERY |
|---|---|
| Blank: Default, no cord A1xx*: 300V 18/3 armored cable, xx to specify length up to 99' Custom length required (in feet) | Blank: Default, no emergency battery back-up EB08: 8W, 120-347V emergency battery back-up EB18: 18W, 120-347V emergency battery back-up *Batteries are wired, not secured to fixture |

MODEL CONFIGURATOR

FACTORY INSTALLED OPTIONS

| MODEL | - | SIZE | WATTAGE | - | CCT | - | VOLTAGE | - | CORD LENGTH | - | EMERGENCY BATTERY |
|------------|---|------|---------|---|-----|---|---------|---|-------------|---|-------------------|
| EP1 | - | | | - | | - | | - | | - | |

EXAMPLE PART NUMBER: EP1-14PS30-FCCT-U-A120

AVAILABLE MODELS

| ORDER CODE | ITEM # | SIZE | WATTS* | CCT** | LUMENS | EFFICACY (lm/W) | VOLTAGE | TRADITIONAL WATTAGE EQUIVALENT | DLC ID# |
|------------|-------------------|------|-----------|-------------|-------------------|-----------------|----------|--------------------------------|----------|
| 13536 | EP1-14PS30-FCCT-U | 1x4 | 30/25/20W | 35/40/5000K | 3750/3125/2500 lm | 125 lm/W | 120-277V | 2 x 17W 2ft T8 | S-BKUG2Z |
| 13182 | EP1-22PS30-FCCT-U | 2x2 | 30/25/20W | 35/40/5000K | 3750/3125/2500 lm | 125 lm/W | 120-277V | 2 x 32W 4ft T8 | S-LQVDS3 |
| 13183 | EP1-24PS50-FCCT-U | 2x4 | 50/40/30W | 35/40/5000K | 6250/5000/3750 lm | 125 lm/W | 120-277V | 4 x 32W 4ft T8 | S-H721EF |

* All power-selectable fixtures ship at the highest wattage setting

** All CCT-selectable fixtures ship at 4000K

ACCESSORIES

| ORDER | ORDER CODE | ITEM # | DESCRIPTION |
|-----------------------------|------------|------------|---|
| MOUNTING ACCESSORIES | | | |
| AVAILABLE LATE Q2 | 13909 | FP1-SMK-14 | FP1 Surface Mount Kit For 1x4 Flat Panels |
| AVAILABLE LATE Q2 | 13908 | FP1-SMK-22 | FP1 Surface Mount Kit For 2x2 Flat Panels |
| AVAILABLE LATE Q2 | 13912 | FP1-SMK-24 | FP1 Surface Mount Kit For 2x4 Flat Panels |
| AVAILABLE LATE Q2 | 13913 | FP1-RMK-14 | FP1 Recessed Mount Kit For 1x4 Flat Panels |
| AVAILABLE LATE Q2 | 13914 | FP1-RMK-22 | FP1 Recessed Mount Kit For 2x2 Flat Panels |
| AVAILABLE LATE Q2 | 13915 | FP1-RMK-24 | FP1 Recessed Mount Kit For 2x4 Flat Panels |
| AVAILABLE LATE Q2 | 14207 | EP1-AC | EP1 Aircraft Cable Kit for Edgelit Panels, All Sizes: 1x4, 2x2, 2x4 |

CONTROLS & SENSORS

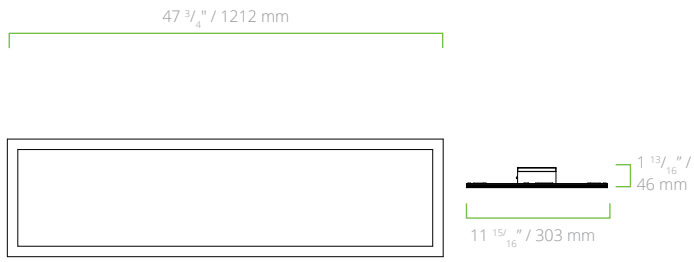
| ORDER | ORDER CODE | ITEM # | DESCRIPTION |
|--|------------|------------------------|--|
| STANDALONE SENSORS | | | |
| ROOM LEVEL CONTROL*** | | | |
| | 753996 | ODC04-iDW | Leviton ceiling occupancy sensor with photocell, PIR, Provolt™ lighting control, 8'-12' mount, 450 sq ft, Daylighting, Auto-Calibration, 120-277V. CEC Title 20/24 compliant. Color: White. Order separately. Available for Special Order Only. |
| | 801573 | ODC15-iDW | Leviton ceiling occupancy sensor with photocell, PIR, Provolt™ lighting control, 8'-12' mount, 1500 sq ft, Daylighting, Auto-Calibration, 120-277V. CEC Title 20/24 compliant. Color: White. Order separately. Available for Special Order Only. |
| | 701018 | ODS10-iDW | Leviton wall switch occupancy sensor with photocell, PIR, selectable auto/manual lighting control, vandal resistant, 2100 sq ft, 120-277V. CEC Title 20/24 compliant. Color: White. Order separately, wall plate ordered separately. Available for Special Order Only. |
| | 728238 | IP710-DLZ | Leviton IllumaTech 0-10V slide dimmer, with LED locator light, 120-277V. Color: White. Order separately, wall plate ordered separately. Available for Special Order Only. |
| | 769237 | DS710-10Z | Leviton Decora 0-10V slide dimmer, 120-277V. Color: White. Order separately, wall plate ordered separately. Available for Special Order Only. |
| | 745976 | AWSMT-7DW | Leviton Renoir II 0-10V slide dimmer, Title 24 compliant, 120/277. Color: White. Wall plate included. Order separately. Available for Special Order Only. |
| NETWORKED LIGHTING CONTROLS (NLC) | | | |
| FIXTURE LEVEL CONTROL | | | |
| | 12634 | PSC-WCM-450-BLE-SR | BLE TruBlu mesh fixture controller, parameters set by app. Dimming control. Dry rated. 120-277V input, 12V aux 300mA output. 16A Max. No daylight feature or motion detection. Order separately or factory install. |
| ROOM LEVEL CONTROL | | | |
| | 13359 | SENA-WCPA | BLE mesh ceiling controller, parameters set by app. Dimming control. Detection from 8 ft up to 12 ft mounting height, 360° pattern. Damp location rated. 12-24VDC input. PIR motion detection, occupancy or vacancy. Daylight settings available. |
| | 12635 | PSC-DM-WS-100-BLE-SR | BLE TruBlu mesh wall box controller, parameters set by app. Single button, dimming control. Dry rated. 120-277V input. No daylight feature or motion detection. Order separately. |
| | 12636 | PSC-DM-I-WS-100-BLE-SR | BLE TruBlu mesh wall box controller, parameters set by app. Single button, dimming control. Dry rated. 120-277V input. PIR motion detection, occupancy or vacancy. Daylight settings available. Order separately. |
| | 12637 | PSC-DM-WS-400-BLE-SR | BLE mesh wall box controller, parameters set by app. Four button, dimming control. Dry rated. 120-277V input. No daylight feature or motion detection. Order separately. |
| | 12654 | ESRPB-W-EO | BLE Easyfit by EnOcean wireless self-powered kinetic control. Single rocker pad. Color: White. Order separately, wall plate included. |
| | 12655 | EDRPB-W-EO | BLE Easyfit by EnOcean wireless self-powered kinetic control. Double rocker pad. Color: White. Order separately, wall plate included. |

*** Leviton controls available for Special Order Only.

BATTERY BACKUPS

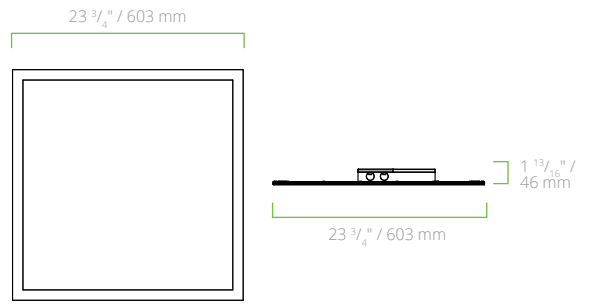
| ORDER | ORDER CODE | ITEM # | DESCRIPTION | FACTORY INSTALLED CODE |
|-------|------------|---------------|---|------------------------|
| | 11674 | EEBE08WHA170S | Field mounted 8W emergency battery backup with IP65 test switch indicator included. Minimum 90 minutes discharge. No remote control available. Dimming control. 120-347V Input. IP20 rated. Order separately or factory install. | EB08 |
| | 11675 | EEBE18WHA170S | Field mounted 18W emergency battery backup with IP65 test switch indicator included. Minimum 90 minutes discharge. No remote control available. Dimming control. 120-347V Input. IP20 rated. Order separately or factory install. | EB18 |

PRODUCT DIMENSIONS



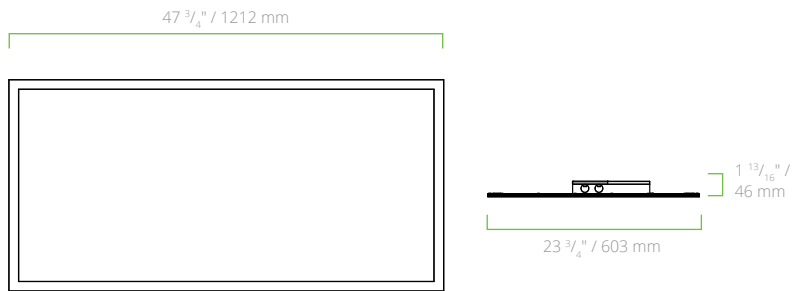
1X4 MODEL

Weight: 6.8 lbs / 3.1 kg



2X2 MODEL

Weight: 6.6 lbs / 3.0 kg



2X4 MODEL

Weight: 14.1 lbs / 6.4 kg