



WB1 Wall Brackets

HIGHLIGHTS

- Heavy duty wall Bracket Series
- Easily mount to a wall or square pole
- The pole mounted side bracket is excellent to light additional areas around a pole and when mounted to a wall it provides an alternative when light is required on a building
- Constructed from high grade steel to meet strict quality standards
- size and type.
- All feature 2 3/8" tenon
- 4", 5" and 9" 90°
- All brackets are bronze

CONSTRUCTION

- Installer to provide mounting hardware

WARRANTY

- 1 Year limited warranty available [online](#). Contact your EiKO sales rep for additional details.

project name	type
catalog number	voltage
approved by	date



WB1-RT-BK



WB1-ST-BK



WB1-90RT-BK

KEY FEATURES

INSTALLATION

Brackets provide a horizontal tenon or a tenon spaced from the vertical surface which helps ensure precise fixture placement

CUSTOMIZATION

Mounted to either a wall or square pole

DURABILITY

Constructed from high grade steel to meet strict quality standards

HIGH GRADED STEEL



MOUNT TO EITHER A WALL OR SQUARE POLE

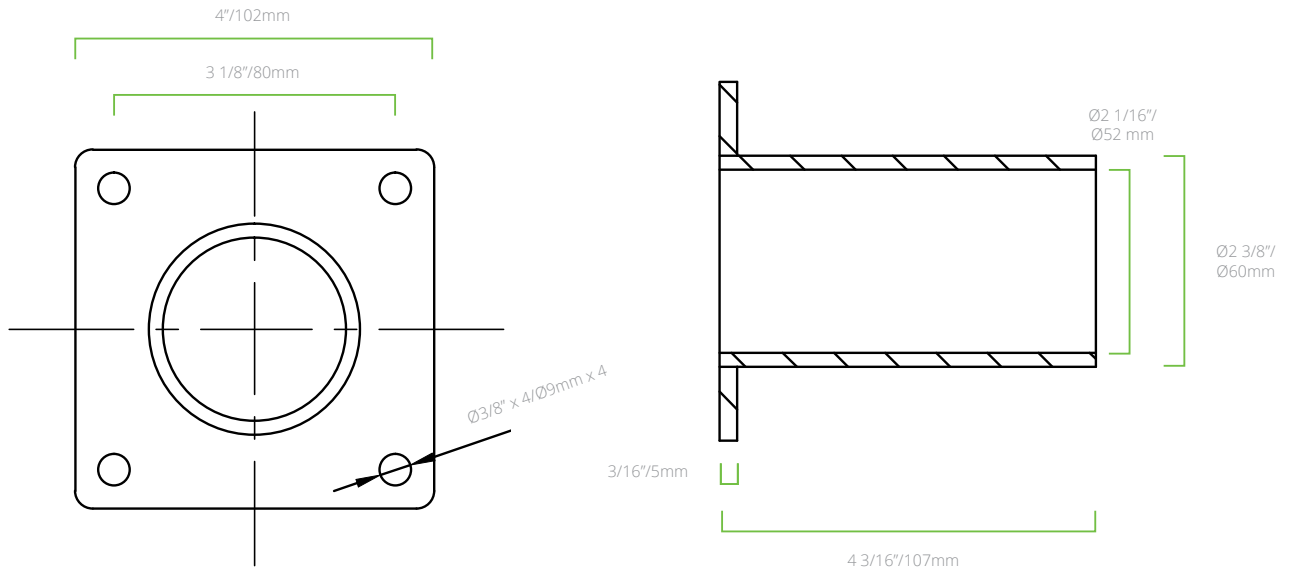


HORIZONTAL OR VERTICAL TENON

AVAILABLE MODELS

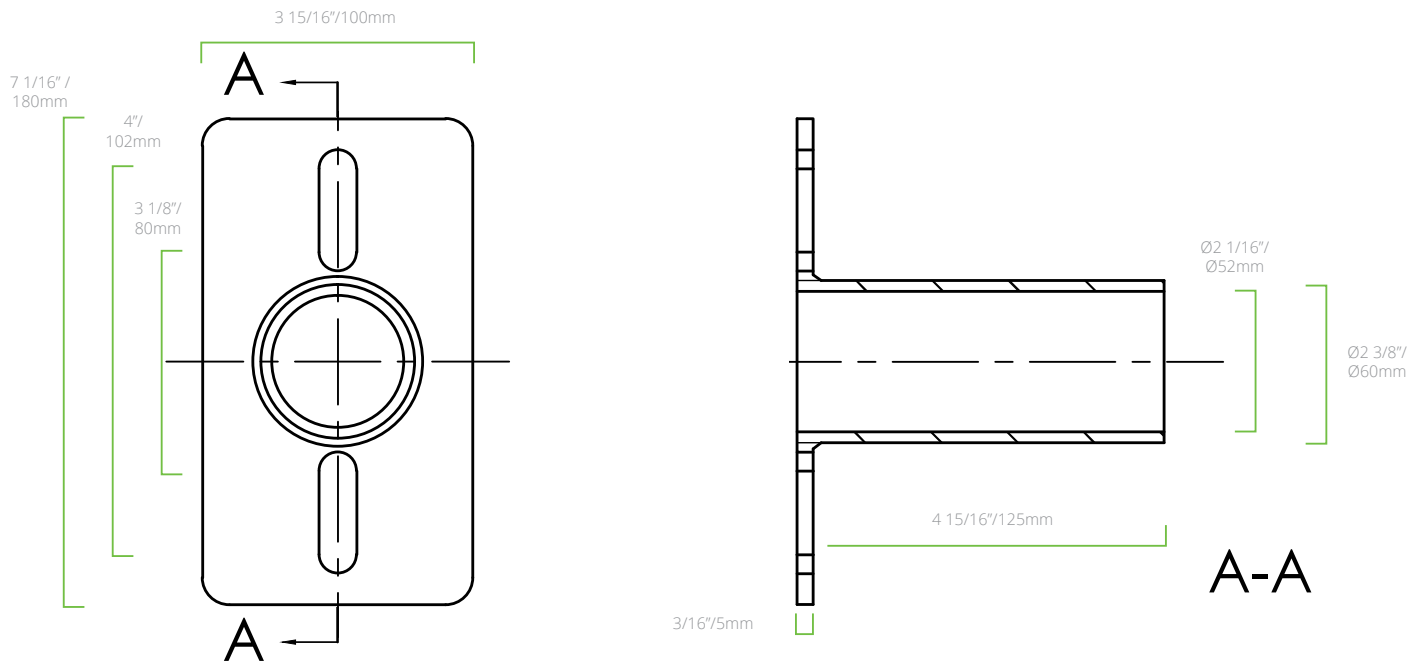
ORDER	ORDER CODE	ITEM #	DESCRIPTION
WALL BRACKETS			
	13939	WB1-RT-BZ	Side Tenon Bracket, 5" Long Tenon, Bronze
	13940	WB1-ST-BZ	Wall Mount Bracket, 4" Long Tenon, Bronze
	13941	WB1-90RT-BZ	Wall Mount Bracket, 9" Right Angle Tenon, Bronze

PRODUCT DIMENSIONS



WB1-ST-BZ

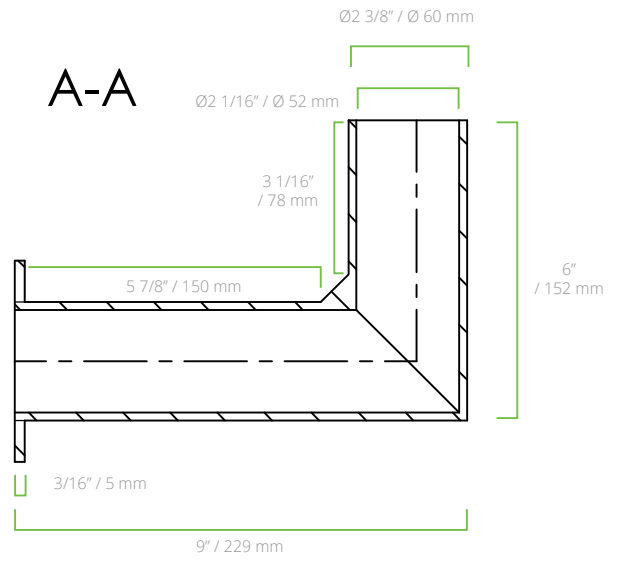
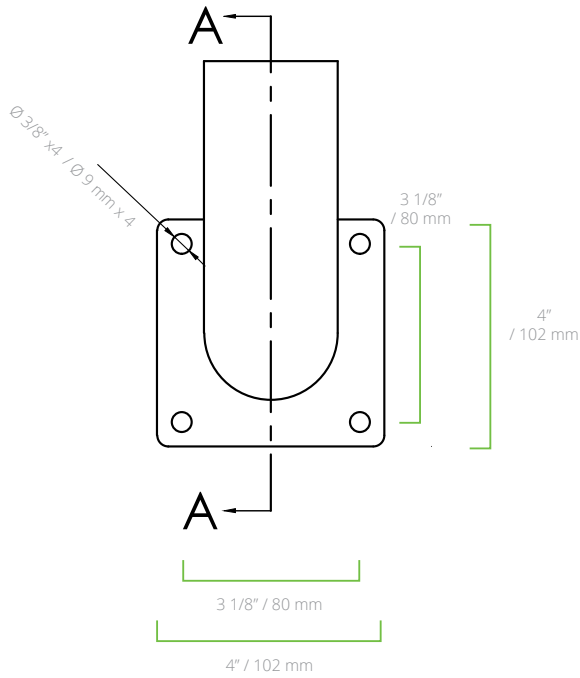
Weight: 2.1 lbs/0.9 kg



WB1-RT-BZ

Weight: 2.8 lbs/1.3 kg

PRODUCT DIMENSIONS



WB1-90RT-BZ

Weight: 5.0 lbs / 2.3 kg