



LH1 Linear High Bay

HIGHLIGHTS

- Diecast aluminum style with molded heatsink fins for enhanced performance
- Controls Ready makes adding controls quick and easy. Includes screw-in receptacle for Standalone sensors or Networked Lighting Controls
- Field and factory install backup battery options
- Frosted polycarbonate lens eliminates glare
- Suggested mounting heights are up to 35'
- V-Hook and Aircraft Cables included
- 120-347V Comes with External 10' cord (no plug)
- PowerSet feature allows for multiple lumen stops out of the box
- FieldCCeT features provides multiple color temperature settings in one fixture

CERTIFICATIONS

- UL listed for US & Canada
- RoHS Compliant
- FCC Compliant
- ICES-005 Compliant
- Damp Location rated
- DesignLights Consortium® Premium Qualified - meets the requirements for the highest DLC qualification for efficacy and lumen maintenance

PERFORMANCE

- High efficacy, up to 150 lm/W
- Available in fixed wattage models: 90W, 130W, 160W, 200W or 240W and PowerSet models: power-selectable 160/130/110/90W, 240/220/200/180W, 320/300/280/260W or 440/400/380/360W
- Available in single CCT models: 4000K or 5000K CCT or FieldCCeT models: field-selectable CCT 40/5000K
- CRI: >80
- Beam Angle: 90°
- Estimated L70: 100,000 Hours

ELECTRICAL

- Input voltage: 120-277V, 120-347V & 277-480V
- 0-10 V dimming, dim-to-off
- 12VDC Aux, 200mA max
- Surge protection: up to 6kV
- Power factor: >0.9
- THD: <20%

THERMAL

- -40°F to 122°F (-40°C to 50°C) ambient operating temperature
- Ambient operating temperature with sensor (see selected sensor datasheet)
- 32°F to 122°F (0°C to 50°C) ambient operating temperature with battery

CONSTRUCTION

- White powder coated die-cast aluminum housing
- Impact-resistant polycarbonate lens

WARRANTY

- 5 Year limited warranty available [online](#). Contact your EiKO sales rep for additional details.

KEY FEATURES

CONTROLS READY

Easily add controls anytime without the need for additional wiring by using the screw-in receptacle.

COMPATIBLE WITH EXTERNAL BATTERY BACKUPS

When there is an interruption in electricity, a battery backup provides light for safety and security.

MULTIPLE MOUNTING OPTIONS

Multiple ways to mount: V-hook & Aircraft cable included; other mounting accessories include V-hook & Chain, Pendant Mount, Threaded Rod & Surface Mount. 120-347V Model comes with 10' cord.

SENSORS SOLD SEPARATELY
(ADAPTER REQUIRED:
SENA-APZ-WH)



EASILY ADD
CONTROLS
VIA SCREW-IN
RECEPTACLE

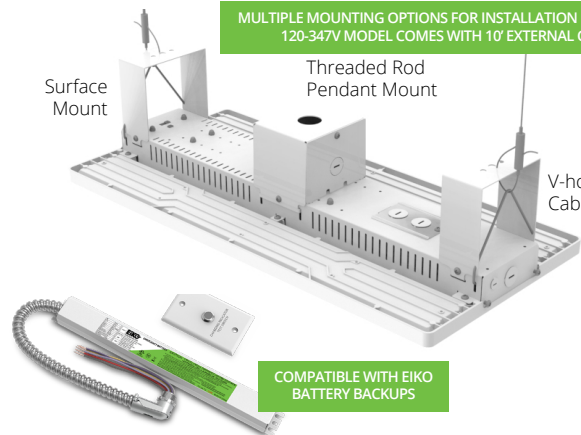


MULTIPLE MOUNTING OPTIONS FOR INSTALLATION FLEXIBILITY;
120-347V MODEL COMES WITH 10' EXTERNAL CORD

Surface
Mount

Threaded Rod
Pendant Mount

V-hooks and Aircraft
Cables Included



COMPATIBLE WITH EIKO
BATTERY BACKUPS

project name	type
catalog number	voltage
approved by	date



RoHS
Compliant



CAN
ICES-005



APPLICATIONS

- Warehouses
- Manufacturing Plants
- Distribution Centers
- Grocery Stores
- Gymsnasiums
- Indoor Recreational Facilities
- Cold Storage
- Big Box Retail
- Service Repair Centers

ORDERING GUIDE

MODEL CONFIGURATOR*

MODEL	WATTS	CCT	VOLTAGE & DIMMING
LH 1: Linear High Bay	090 : 90W 130 : 130W 160 : 160W 200 : 200W 240 : 240W PS160 : 160/130/110/90W PS240 : 240/220/200/180W PS320 : 320/300/280/260W PS440 : 440/400/380/360W	40 : 4000K 50 : 5000K FCCT : 4000/5000K	U : 120-277V, 0-10V dimming H : 120-347V, 0-10V dimming V : 277-480V, 0-10V dimming

*Not all model combinations are available. See item list on following page for possible combinations

FACTORY INSTALLED OPTIONS

LENS	CUSTOM CORD LENGTH	CORD END	ADDITIONAL SURGE PROTECTION	BATTERY BACKUP
[Blank] : Default, 90 degree lens 65L : 65 degree lens (Not DLC Listed)	[Blank] : Default, no length* W1xx : 300V 18/3 white cord W2xx : 600V 18/3 white cord Custom length required (in feet) *all 120-347V Models come with 10' External Cord	[Blank] : Default, no cord end N01 : 125V 15A straight plug N02 : 250V 15A straight plug N04 : 125V 15A locking plug N05 : 250V 15A locking plug N06 : 277V 15A locking plug N07 : 125V 20A straight plug N08 : 250V 20A straight plug N09 : 277V 20A straight plug N10 : 125V 20A locking plug N11 : 250V 20A locking plug N12 : 277V 20A locking plug N13 : 347V 20A locking plug N14 : 480V 20A locking plug	[Blank] : Default, no additional protection SP1 : 10kV surge protection SP2 : 20kV surge protection	[Blank] : Default, no additional protection EB18* : 18W External Backup battery, 100-347V EB40* : 40W External Backup battery, 100-347V EB40* : 40W External Backup battery, 277-480V *backup battery voltage will match <h3>SEE BELOW FOR FIELD INSTALLED CONTROL OPTIONS</h3>

MODEL CONFIGURATOR

FACTORY INSTALLED OPTIONS

MODEL	-	SIZE	-	WATTS	-	CCT	-	VOLTAGE	-	LENS	-	CORD LENGTH	-	CORD END	-	SURGE PROTECTION	-	BATTERY BACKUP
LH1	-		-		-		-		-		-		-		-		-	

EXAMPLE PART NUMBER: LH1-PS090-40-U-65L-W130-N01-SP2-EB18

AVAILABLE MODELS

ORDER CODE	ITEM #	WATTS*	CCT**	LUMENS	EFFICACY (lm/W)	VOLTAGE	TRADITIONAL WATTAGE EQUIVALENT	DLC ID #
								PREMIUM
13399	LH1-090-40-U	90W	4000K	13,500 lm	150 lm/W	120-277V	4-Lamp 4 Foot T8/T12, up to 250W HID	S-0G09HZ
13402	LH1-090-50-U	90W	5000K	13,500 lm	150 lm/W	120-277V	4-Lamp 4 Foot T8/T12, up to 250W HID	S-2I4GTL
13401	LH1-090-40-V	90W	4000K	13,500 lm	150 lm/W	277-480V	4-Lamp 4 Foot T8/T12, up to 250W HID	S-1H2X96
13404	LH1-090-50-V	90W	5000K	13,500 lm	150 lm/W	277-480V	4-Lamp 4 Foot T8/T12, up to 250W HID	S-2MFDAG
13400	LH1-090-40-H	90W	4000K	13,500 lm	150 lm/W	120-347V	4-Lamp 4 Foot T8/T12, up to 250W HID	S-06XSM8
13403	LH1-090-50-H	90W	5000K	13,500 lm	150 lm/W	120-347V	4-Lamp 4 Foot T8/T12, up to 250W HID	S-1TYCOZ
13405	LH1-130-40-U	130W	4000K	19,500 lm	150 lm/W	120-277V	6 lamp 32W T8 or 4 lamp T5 HO or up to 400W HID	S-5Z297R
13408	LH1-130-50-U	130W	5000K	19,500 lm	150 lm/W	120-277V	6 lamp 32W T8 or 4 lamp T5 HO or up to 400W HID	S-6LMAVY
13407	LH1-130-40-V	130W	4000K	19,500 lm	150 lm/W	277-480V	6 lamp 32W T8 or 4 lamp T5 HO or up to 400W HID	S-5X0B8S
13418	LH1-130-50-V	130W	5000K	19,500 lm	150 lm/W	277-480V	6 lamp 32W T8 or 4 lamp T5 HO or up to 400W HID	S-6MC1XH
13406	LH1-130-40-H	130W	4000K	19,500 lm	150 lm/W	120-347V	6 lamp 32W T8 or 4 lamp T5 HO or up to 400W HID	S-528GIL
13409	LH1-130-50-H	130W	5000K	19,500 lm	150 lm/W	120-347V	6 lamp 32W T8 or 4 lamp T5 HO or up to 400W HID	S-6CGSFV
13419	LH1-160-40-U	160W	4000K	24,000 lm	150 lm/W	120-277V	6 lamp 32W T8 or 4 lamp T5 HO or up to 400W HID	S-A90X8I
13422	LH1-160-50-U	160W	5000K	24,000 lm	150 lm/W	120-277V	6 lamp 32W T8 or 4 lamp T5 HO or up to 400W HID	S-AXHMF3
13421	LH1-160-40-V	160W	4000K	24,000 lm	150 lm/W	277-480V	6 lamp 32W T8 or 4 lamp T5 HO or up to 400W HID	S-AWCZVT
13424	LH1-160-50-V	160W	5000K	24,000 lm	150 lm/W	277-480V	6 lamp 32W T8 or 4 lamp T5 HO or up to 400W HID	S-C1R1YP
13420	LH1-160-40-H	160W	4000K	24,000 lm	150 lm/W	120-347V	6 lamp 32W T8 or 4 lamp T5 HO or up to 400W HID	S-A3PJLR
13423	LH1-160-50-H	160W	5000K	24,000 lm	150 lm/W	120-347V	6 lamp 32W T8 or 4 lamp T5 HO or up to 400W HID	S-AWJQHI
13431	LH1-PS160-FCCT-U	160/130/110/90W	4000/5000K	24,000/19,500/16,500/13,500 lm	150 lm/W	120-277V	6 lamp 32W T8 or 4 lamp T5 HO or up to 400W HID	S-QATL9J

AVAILABLE MODELS CON'T

ORDER CODE	ITEM #	WATTS*	CCT**	LUMENS	EFFICACY (lm/W)	VOLTAGE	TRADITIONAL WATTAGE EQUIVALENT	DLC ID #
								PREMIUM
13425	LH1-200-40-U	200W	4000K	30,000 lm	150 lm/W	120-277V	6 lamp T5 HO or up to 600W HID	S-D7VUX1
13428	LH1-200-50-U	200W	5000K	30,000 lm	150 lm/W	120-277V	6 lamp T5 HO or up to 600W HID	S-HCEBJS
13427	LH1-200-40-V	200W	4000K	30,000 lm	150 lm/W	277-480V	6 lamp T5 HO or up to 600W HID	S-EPIDNC
13430	LH1-200-50-V	200W	5000K	30,000 lm	150 lm/W	277-480V	6 lamp T5 HO or up to 600W HID	S-HNFC6K
13426	LH1-200-40-H	200W	4000K	30,000 lm	150 lm/W	120-347V	6 lamp T5 HO or up to 600W HID	S-Y6L9RE
13429	LH1-200-50-H	200W	5000K	30,000 lm	150 lm/W	120-347V	6 lamp T5 HO or up to 600W HID	S-SO1W4J
13507	LH1-240-40-U	240W	4000K	36,000 lm	150 lm/W	120-277V	6 lamp T5 HO or up to 750W HID	S-KI5QO1
13510	LH1-240-50-U	240W	5000K	36,000 lm	150 lm/W	120-277V	6 lamp T5 HO or up to 750W HID	S-LH7TAI
13509	LH1-240-40-V	240W	4000K	36,000 lm	150 lm/W	277-480V	6 lamp T5 HO or up to 600W HID	S-KMSV5G
13512	LH1-240-50-V	240W	5000K	36,000 lm	150 lm/W	277-480V	6 lamp T5 HO or up to 600W HID	S-NQ04WI
13508	LH1-240-40-H	240W	4000K	36,000 lm	150 lm/W	120-347V	6 lamp T5 HO or up to 750W HID	S-JZW7HP
13511	LH1-240-50-H	240W	5000K	36,000 lm	150 lm/W	120-347V	6 lamp T5 HO or up to 750W HID	S-L32F5S
13432	LH1-PS240-FCCT-U	240/220/ 200/180W	4000/ 5000K	36,000/33,000/ 30,000/27,000 lm	150 lm/W	120-277V	6 lamp T5 HO or up to 750W HID	S-S4Q5FY
13433	LH1-PS320-40-U	320/300/ 280/260W	4000K	48,000/45,000/ 42,000/39,000 lm	150 lm/W	120-277V	6 lamp T5 HO or up to 1000W HID	S-SO1W4J
13435	LH1-PS320-50-U	320/300/ 280/260W	5000K	48,000/45,000/ 42,000/39,000 lm	150 lm/W	120-277V	6 lamp T5 HO or up to 1000W HID	S-UD7NGH
13434	LH1-PS320-40-V	320/300/ 280/260W	4000K	48,000/45,000/ 42,000/39,000 lm	150 lm/W	277-480V	6 lamp T5 HO or up to 1000W HID	S-T4P75J
13436	LH1-PS320-50-V	320/300/ 280/260W	5000K	48,000/45,000/ 42,000/39,000 lm	150 lm/W	277-480V	6 lamp T5 HO or up to 1000W HID	S-UGO6CY
13437	LH1-PS440-40-U	440/400/ 380/360W	4000K	66,000/60,000/ 57,000/54,000 lm	150 lm/W	120-277V	6 lamp T5 HO or up to 1000W HID	S-W7LVTO
13439	LH1-PS440-50-U	440/400/ 380/360W	5000K	66,000/60,000/ 57,000/54,000 lm	150 lm/W	120-277V	6 lamp T5 HO or up to 1000W HID	S-Y0JH19
13438	LH1-PS440-40-V	440/400/ 380/360W	4000K	66,000/60,000/ 57,000/54,000 lm	150 lm/W	277-480V	6 lamp T5 HO or up to 1000W HID	S-WNI7BC

* All power-selectable fixtures ship at the highest wattage setting

** All CCT-selectable fixtures ship at 4000K

ACCESSORIES

ORDER	ORDER CODE	ITEM #	DESCRIPTION
	13815	LH1-VCK	LH1 V-Hook & Chain Kit.
	13816	LH1-PMK*	LH1 Pendant Mount Kit.
	13817	LH1-TRSMK	LH1 Threaded Rod & Surface Mount Kit.
	13818	LH1-WG	LH1 Wire Guard for 90-240W.
	13819	LH1-WG-L	LH1 Wire Guard for 320W.
	13820	LH1-WG-XL	LH1 Wire Guard for 440W.
	14369	LH1-LENS-65	LH1 Lens, 65 Degree, for 90-240W. (Order separately or factory install)
	14371	LH1-LENS-65-L	LH1 Lens, 65 Degree, for 320W. (Order separately or factory install)
	14372	LH1-LENS-65-XL	LH1 Lens, 65 Degree, for 440W. (Order separately or factory install)

* Pendant mount kit is not compatible with battery backups.

CONTROLS & SENSORS: FIELD INSTALLED

ORDER	ORDER CODE	ITEM #	DESCRIPTION
STANDALONE CONTROLS			
PIR SENSORS			
	800654	MS2-OPD-3	Stand-alone PIR Motion Sensor, 120-347V, 1/2" knock-out, On/Off, Ambient Threshold, 40ft, Parameters set by dip switch.
	800655	MS2-DPX-3	Stand-alone PIR Motion Sensor, 120-347V, 1/2" knock-out, 0-10V, Ambient Threshold, 40ft, Parameters set by dip switch or SEN5A-ACT.
	801282	MSF-DPR-12	Stand-alone PIR Motion Sensor, 12V, screw-in, 0-10V, Ambient Threshold, 20ft, Parameters set by remote RC02.
	10220	SEN-3B-KO	Stand-alone PIR Motion Sensor, 120-277V, IP66, 1/2" knock-out, 0-10V, Ambient Threshold, 30ft, Parameters set by SEN-3-RC.
	10476	SEN-3AA-KO	Stand-alone PIR Motion Sensor, 120-277V, 1/2" knock-out, On/Off, Ambient Threshold, 30ft, Parameters set by dip switch.
	13342	SEN5A-SZPR-WH	Stand-alone PIR Motion Sensor, 12-24V, Z10, 0-10V, Daylight Harvesting, 40ft, White, Parameters set by SEN5A-ACT Note: Screw-in to Z10 adapter required: SENA-APZ-WH.
MICROWAVE SENSORS*			
	313895	MS1-DHR-KO-1	Stand-alone Microwave Motion Sensor, 120-277V, IP65, 1/2" knock-out, 0-10V, Ambient Threshold, 48ft, Parameters set by RC01.
	801281	MSF-DMR-12	Stand-alone Microwave Motion Sensor, 12V, screw-in, 0-10V, Ambient Threshold, 49ft, Parameters set by remote RC02.
	12150	SEN/M/S1C/KO	Stand-alone Microwave Motion Sensor, 120-277V, IP65 1/2" knock-out, 0-10V, Ambient Threshold, Parameters set by SEN-S1-RC3.
	13341	SEN5A-SZMR-WH	Stand-alone Microwave Motion Sensor, 12-24V, Z10, 0-10V, Daylight Harvesting, 40ft, White, Parameters set by SEN5A-ACT. Note: Screw-in to Z10 adapter required: SENA-APZ-WH.
	11931	SEN5A/M/Z10	Stand-alone Microwave Motion Sensor, 12-24V, Z10, 0-10V, Ambient Threshold, 40ft, White, Parameters set by SEN5A-ACT. Note: Screw-in to Z10 adaptor required: SENA-APZ-WH.

* Microwave sensors must be installed on stable and immovable fixtures to avoid false activation from swinging.

REMOTES FOR COMMISSIONING STANDALONE CONTROLS			
	13344	SEN5A-ACT	Commissioning Tool for SEN5A, BAY-E-SEN/PIR, BAY-E-SEN/M, and MS2-DPX-3 (Backward compatible with SEN5A/CT and RC-100)
	10226	SEN-3-RC	Commissioning Tool for SEN-3B-KO and SEN-3C-KO
	313897	RC01	Commissioning Tool for MS1-DHR-SA-4, MS1-DHR-KO-1, MS1-DHR-KO-4
	10917	SEN-S1-RC3	Compatible with SEN/M/S1C/KO
	800891	RC02	Commissioning Tool for MSF-DPR-12, MSF-DMR-12

CONTROLS & SENSORS

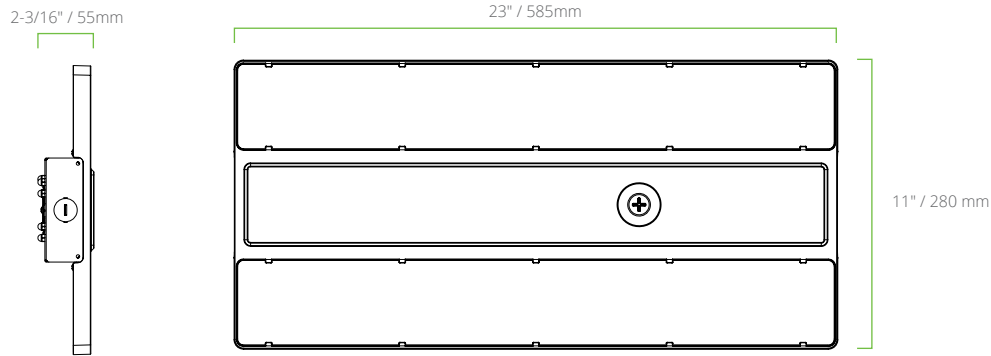
ORDER	ORDER CODE	ITEM #	DESCRIPTION
NETWORKED LIGHTING CONTROLS (NLC)			
SENSOR AND CONTROLLER			
	13246	SENA-WZPA-WH	BLE PIR Motion sensor, 12-24V, IP65, Z10, 0-10V, Daylight Harvesting, 40ft, Parameters set by Silvoir App. Note: Screw-in to Z10 adapter required: SENA-APZ-WH.
	12643	PSC-ZKV-WCM-100-BLE-SR	BLE TruBle wireless fixture Controller, 12-24V, Z10, 0-10V, Parameters set by Silvoir App. Note: Screw-in to Z10 adapter required: SENA-APZ-WH.
WALL OR WIRELESS CONTROLLERS			
	12654	ESRPB-W-EO	BLE Easyfit by EnOcean wireless self-powered kinetic Single rocker pad, white, wall plate included.
	12655	EDRPB-W-EO	BLE Easyfit by EnOcean wireless self-powered kinetic Double rocker pad, white, wall plate included.
	12635	PSC-DM-WS-100-BLE-SR	BLE TruBlu 120-277V, Single Gang Single Button Wall Controller, White, Parameters set by Silvoir App.
	12636	PSC-DM-I-WS-100-BLE-SR	BLE TruBlu PIR Occupancy/ Vacancy Sensor, 120-277V, Single Gang Wall Controller, White, Parameters set by Silvoir App.
	12637	PSC-DM-WS-400-BLE-SR	BLE TruBlu 4-Button Wall Controller, 120-277V, Single Gang, White, Parameters set by Silvoir App.
ADAPTERS & ACCESSORIES			
	13467	SENA-APZ-WH	Z10 adaptor 1/2" Screw-in spring load pins to Z10 Receptacle IP65 White.
	12994	PSC-RET-100-BLE-SR	BLE TruBlu Range Extender, 120-277V, 800ft, Nema 4X Outdoor Enclosure
	12993	PSC-TKP-200-BLE-SR	BLE TruBlu Battery Backup Timekeeper and Range Extender, 120V, 800ft, Nema 4X Outdoor Enclosure

BATTERY BACKUPS

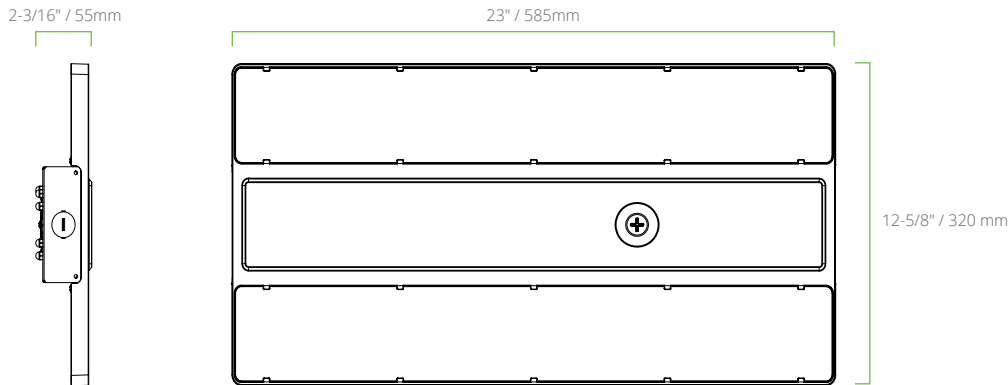
ORDER	ORDER CODE	ITEM #	DESCRIPTION	FACTORY INSTALLED CODE
	11675	EEBE18WHA170S*	EiKO Emergency Battery External 18W 100-347V 170VDC Single Flex-Conduit CEC Compliant. Factory or field install. See spec sheet for full details. Note: Suitable ONLY for 100-347V 90W & 130W fixtures. Optional bracket to mount directly to LH1: LH1-ZBRK	EB18
	13574	EEBE40WHA170S*	EiKO Emergency Battery External 40W 100-347VAC 170VDC Linear Single Flex-Conduit CEC Compliant. Factory or field install. See spec sheet for full details. Note: Suitable ONLY for 100-347V; 320W or less fixtures. Optional bracket to mount directly to LH1: LH1-ZBRK	EB40
	13571	EEBE40WVA500*	EiKO Emergency Battery External 40W 277-480VAC 310-500VDC Linear Single Flex-Conduit CEC Compliant. Factory or field install. See spec sheet for full details. Note: Suitable ONLY for 277-480V; 320W or less fixtures. Optional bracket to mount directly to LH1: LH1-ZBRK	EB40
	14383	LH1-ZBRK	LH1 Z Bracket for Battery Backup Mounting (optional for mounting battery backup to fixture)	

*** WARNING:** When using these AC version battery backups with any control solution, internal rewiring is required according to the installation sheet's wiring diagram. Failure to do so may result in a violation of safety codes.

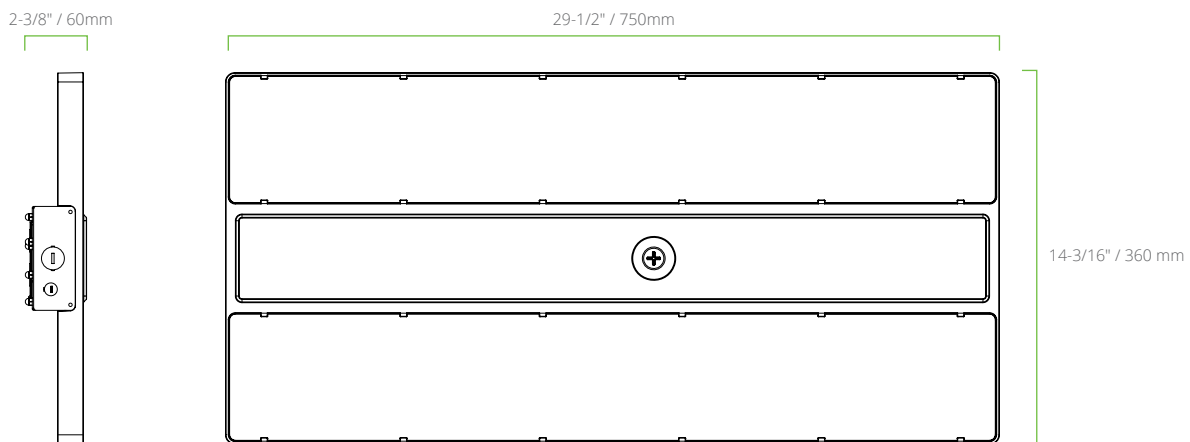
PRODUCT DIMENSIONS



90W - 240W MODELS



320W MODELS



440W MODELS