



PG1 Parking Garage Fixture

HIGHLIGHTS

- Architectural modern style garage and canopy
- Controls Ready makes adding controls quick and easy. Includes screw-in receptacle for Standalone sensors or Networked Lighting Controls
- Hinged junction box makes installation and maintenance easier
- Four 1/2" Knockouts (one on each side) plus one 3/4" on the top; one 12mm pre-drill hole for battery backup test button.
- PowerSet feature allows for multiple lumen stops out of the box
- FieldCCeT features provides multiple color temperature settings in one fixture

CERTIFICATIONS

- UL Certified for US & Canada
- RoHS Compliant
- FCC Compliant
- ICES-005 Compliant
- Wet Location
- IP65 Rated
- IK08
- DesignLights Consortium® Premium Qualified - meets the requirements for the highest DLC qualification for efficacy and lumen maintenance

PERFORMANCE

- High efficacy, up to 140 lm/W
- Available in PowerSet models: power-selectable 45/35/35W and 90/75/60W
- Available in FieldCCeT models: field selectable 4000/5000K
- CRI: >80
- Beam Angle: 190°
- Estimated L70: 100,000 Hours

ELECTRICAL

- Input voltage: 120-347V
- 0-10V dimming, dim-to-off
- 12VDC Aux, 100mA max
- Surge Protection: 4kV (PS45), 6kV (PS90)
- Power factor: >0.9
- THD: ≤20%

THERMAL

- -40°F to 113°F (-40°C to 45°C) ambient operating temperature
- Ambient operating temperature with sensor (see selected sensor datasheet)

CONSTRUCTION

- White powder coated die-cast aluminum housing
- Impact-resistant polycarbonate lens

WARRANTY

- 5 Year limited warranty available [online](#). Contact your EiKO sales rep for additional details.

KEY FEATURES

CONTROLS READY

Easily add controls anytime without the need for additional wiring

INSTALLATION MADE EASY

Four 1/2" Knockouts (one each side); plus one 3/4" on the top; one 12mm pre-drill hole for battery backup test button. Hinged door and can be mounted with or without Junction Box.

VANDAL RESISTANT SENSOR

Vandal resistant sensor cover accessory available to prevent tampering with controls.

project name	type
catalog number	voltage
approved by	date



APPLICATIONS

- Canopies
- Parking Garages
- Stairwells



AVAILABLE MODELS

ORDER	ORDER CODE	ITEM #	WATTS*	CCT**	LUMENS	EFFICACY (lm/W)	VOLTAGE	TRADITIONAL WATTAGE EQUIVALENT	DLC ID#
									PREMIUM
	13464	PG1-PS45-FCCT-H	45/35/25W	4000/5000K	6300/4900/3500 lm	140 lm/W	120-347V	Up to 100W HID	S-1JL9QK
	13463	PG1-PS90-FCCT-H	90/75/60W	4000/5000K	12,600/10,500/8400 lm	140 lm/W	120-347V	Up to 200W HID	S-WNE32K

* All power-selectable fixtures ship at the highest wattage setting

** All CCT-selectable fixtures ship at 5000K

FACTORY INSTALLED OPTIONS

BATTERY BACKUPS

[Blank] : Default, no battery backup
EB08: 8W Internal Battery Kit, 100-347V
EB09: 9W Internal Battery Kit, 120-347V

MODEL CONFIGURATOR


FACTORY INSTALLED OPTIONS

MODEL	-	WATTS	-	CCT	-	VOLTAGE	-	BATTERY BACKUPS
PG1	-		-		-		-	

EXAMPLE PART NUMBER: PART NUMBER FROM AVAILABLE MODELS FOLLOWED BY - EB08

REFER TO FOLLOWING SECTIONS FOR DETAILS ON FACTORY INSTALLED OPTIONS & AVAILABLE FIELD INSTALLED OPTIONS

ACCESSORIES

ORDER	ORDER CODE	ITEM #	DESCRIPTION
MOUNTING & PROTECTION ACCESSORIES			
	13468	PG1-SEN-COVER	Vandal resistant motion sensor guard for PIR and MW sensors on PG1 fixtures 

BATTERY BACKUPS

ORDER	ORDER CODE	ITEM #	DESCRIPTION	FACTORY INSTALLED CODE
	13855	YH36-09WL-300	9W Streamer Emergency Battery Kit Internal 100-347VAC 90-300VDC LiFePO4 LiFePO4 140F CEC Compliant. Factory install only.	EB09
AVAILABLE 04	14654	EEBN08WHB300	EiKO Emergency Battery Kit Internal 8W 120-347VAC 50-300VDC LiFePO4 140F CEC Compliant. Factory or field install. See spec sheet for full details.	EB08

CONTROLS & SENSORS: FIELD INSTALLED

ORDER	ORDER CODE	ITEM #	DESCRIPTION
STANDALONE CONTROLS			
PIR SENSORS			
	13342	SEN5A-SZPR-WH	Stand-alone PIR Motion Sensor, 12-24V, Z10, 0-10V, Daylight Harvesting, 40ft, White, Parameters set by SEN5A-ACT. Note: Screw-in to Z10 adaptor required: SENA-APZ-WH.
MICROWAVE SENSORS*			
	13341	SEN5A-SZMR-WH	Stand-alone Microwave Motion Sensor, 12-24V, Z10, 0-10V, Daylight Harvesting, 40ft, White, Parameters set by SEN5A-ACT. Note: Screw-in to Z10 adaptor required: SENA-APZ-WH.
	11931	SEN5A/M/Z10	Stand-alone Microwave Motion Sensor, 12-24V, Z10, 0-10V, Ambient Threshold, 40ft, Parameters set by RC-100/SEN5A-ACT. Note: Screw-in to Z10 adaptor required: SENA-APZ-WH.

* Microwave sensors must be installed on stable and immovable fixtures to avoid false activation from swinging.

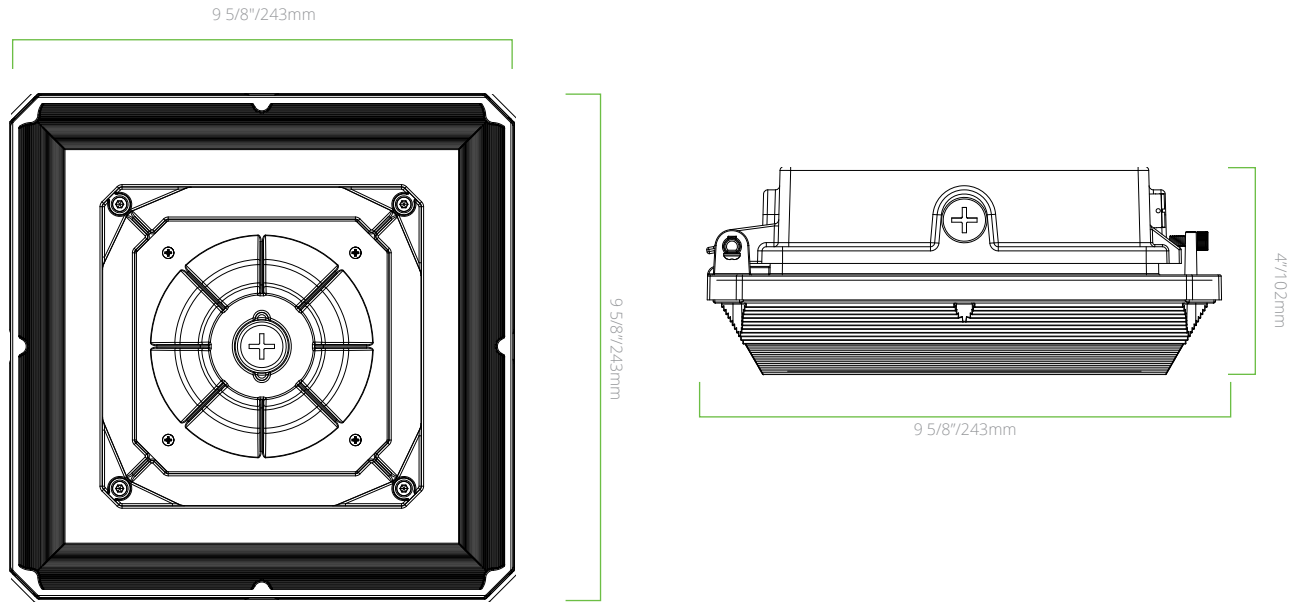
REMOTES FOR COMMISSIONING STANDALONE CONTROLS

	13344	SEN5A-ACT	Commissioning Tool for SEN5A, BAY-E-SEN/PIR, BAY-E-SEN/M, and MS2-DPX-3 (Backward compatible with SEN5A/CT and RC-100).
--	-------	-----------	---

CONTROLS & SENSORS: FIELD INSTALLED CONT'D

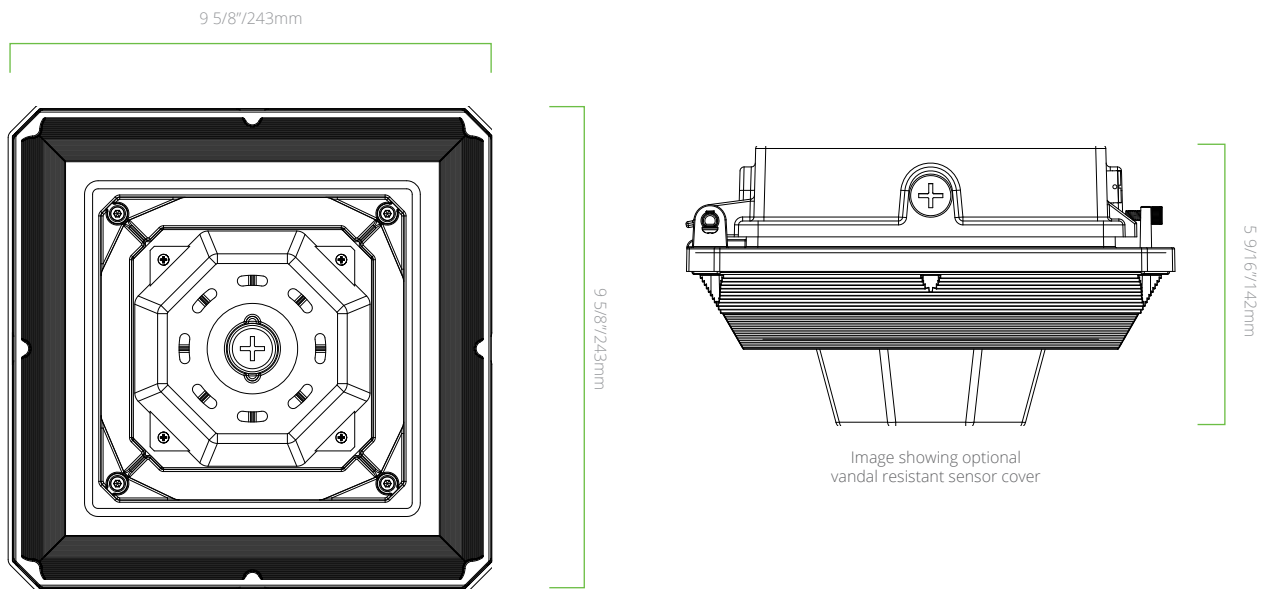
ORDER	ORDER CODE	ITEM #	DESCRIPTION
NETWORKED LIGHTING CONTROLS (NLC)			
SENSOR AND CONTROLLER			
	13246	SENA-WZPA-WH	BLE PIR Motion sensor, 12-24V, IP65, Z10, 0-10V, Daylight Harvesting, 40ft, Parameters set by Silvoir App. Note: Screw-in adaptor required: SENA-APZ-WH.
	12643	PSC-ZKV-WCM-100-BLE-SR	BLE TruBle wireless fixture Controller, 12-24V, Z10, 0-10V, Parameters set by Silvoir App. Note: Screw-in to Z10 adaptor required: SENA-APZ-WH.
WALL OR WIRELESS CONTROLLERS			
	12654	ESRPB-W-EO	BLE Easyfit by EnOcean wireless self-powered kinetic Single rocker pad, white, wall plate included.
	12655	EDRPB-W-EO	BLE Easyfit by EnOcean wireless self-powered kinetic Double rocker pad, white, wall plate included.
	12635	PSC-DM-WS-100-BLE-SR	BLE TruBlu 120-277V, Single Gang Single Button Wall Controller, White, Parameters set by Silvoir App.
	12636	PSC-DM-I-WS-100-BLE-SR	BLE TruBlu PIR Occupancy/ Vacancy Sensor, 120-277V, Single Gang Wall Controller, White, Parameters set by Silvoir App.
	12637	PSC-DM-WS-400-BLE-SR	BLE TruBlu 120-277V, Single Gang 4-Button Wall Controller, White, Parameters set by Silvoir App.
ADAPTERS & ACCESSORIES			
	13467	SENA-APZ-WH	Z10 adaptor 1/2" Screw-in spring load pins to Z10 Receptacle IP65 White
	12994	PSC-RET-100-BLE-SR	BLE TruBlu Range Extender, 120-277V, 800ft, Nema 4X Outdoor Enclosure
	12993	PSC-TKP-200-BLE-SR	BLE TruBlu Battery Backup Timekeeper and Range Extender, 120V, 800ft, Nema 4X Outdoor Enclosure

PRODUCT DIMENSIONS



PG1-PS45-FCCT-H

Weight: 4.4 lbs / 2.0 kg



PG1-PS90-FCCT-H

Weight: 5.1 lbs / 2.3 kg