



NLC Z10 Twist Lock Wireless PIR Motion Sensor - Bluetooth® Mesh

HIGHLIGHTS

- Z10 Twist Lock Wireless PIR Motion Sensor for Network Lighting Controls (NLC) using SIG Qualified Bluetooth® mesh
- Designed for use with EiKO Z10 receptacles for quick and easy twist lock installation in the field
- The free iOS App powered by Silviar is used for onsite commissioning which includes setting up areas/grouping/zoning, creating profiles which includes setting high and low end trim, occupancy or vacancy, daylight harvesting, ambient threshold (Photocell), time delay, as well as personal control
- The Web App powered by Silviar is used for optional offsite pre-planning which includes setting up areas/grouping/zoning (pre-commissioning not required) and creating profiles (includes setting high and low end trim, occupancy or vacancy, daylight harvesting and time delay)
- No hubs, gateway, or routers are required to make a complete mesh network. The unit can pair with the Silviar iOS App to allow initial setup and subsequent adjustments
- Easily incorporate additional BLE devices like wall/wireless controllers, sensors, fixture controllers, range extenders, and timekeepers
- Over-the-air Firmware upgrade available via iOS App
- A device that is part of EiKO's NLC System

CERTIFICATIONS

- cETLus Listed for Wet Locations
- IP65 Rated
- FCC Compliant
- RoHS Compliant

PERFORMANCE

- Onboard Omnidirectional Antenna
- Operational frequency: 2.4 GHz - 2.483 GHz
- Mounting Height: 8-40ft
- Communication Range: up to 200ft*
- Continuous and Bi-Level Dimming

ELECTRICAL

- Input voltage: 12-24VDC
- Input current: 50mA
- 0-10V

THERMAL

- -4°F to 140°F (-20°C to 60°C) operating temperature

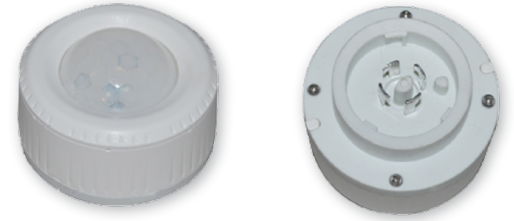
CONSTRUCTION

- High strength, UV resistant white plastic housing
- Z10 twist lock installation

WARRANTY

- 5-Year limited warranty available [online](#). Contact your EiKO sales rep for additional details.

project name	type
catalog number	voltage
approved by	date



APPLICATIONS

- Warehouses
- Parking Garages
- Parking Lots
- Car Dealerships
- Soccer Fields
- Parking Lots

AVAILABLE MODEL

ORDER CODE	ITEM #	INPUT VOLTAGE	SENSOR TECHNOLOGY	DAYLIGHT HARVESTING	WIRELESS TECHNOLOGY	DIMMING	MOUNTING HEIGHT	COMMUNICATION RANGE*	INSTALLATION TYPE
13246	SENA-WZPA-WH	12-24VDC	PIR	Yes	Bluetooth® SIG Mesh	0-10V	8-40ft	200ft	Z10, twist lock

*Communication range highly depends on the intergrated fixtures, surrounding environment, and conditions. It is recommended to conduct testing in each unique application for range accuracy.

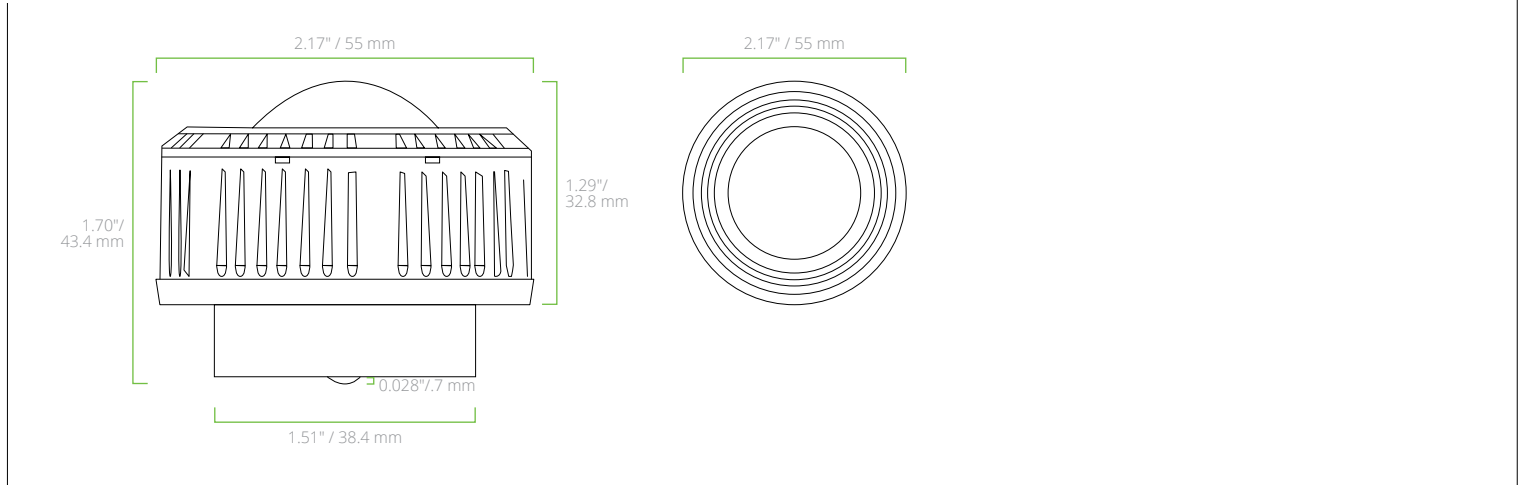
ACCESSORIES

ORDER CODE	ITEM #	DESCRIPTION
13467	SENA-APZ-WH	Z10 Adaptor 1/2" Screw-in Spring Load Pins to Z10 Receptacle, IP65 (White)
13343	SEN-AZ-WH	Z10 Stem & Swivel Mount Adaptor, IP65 (White)

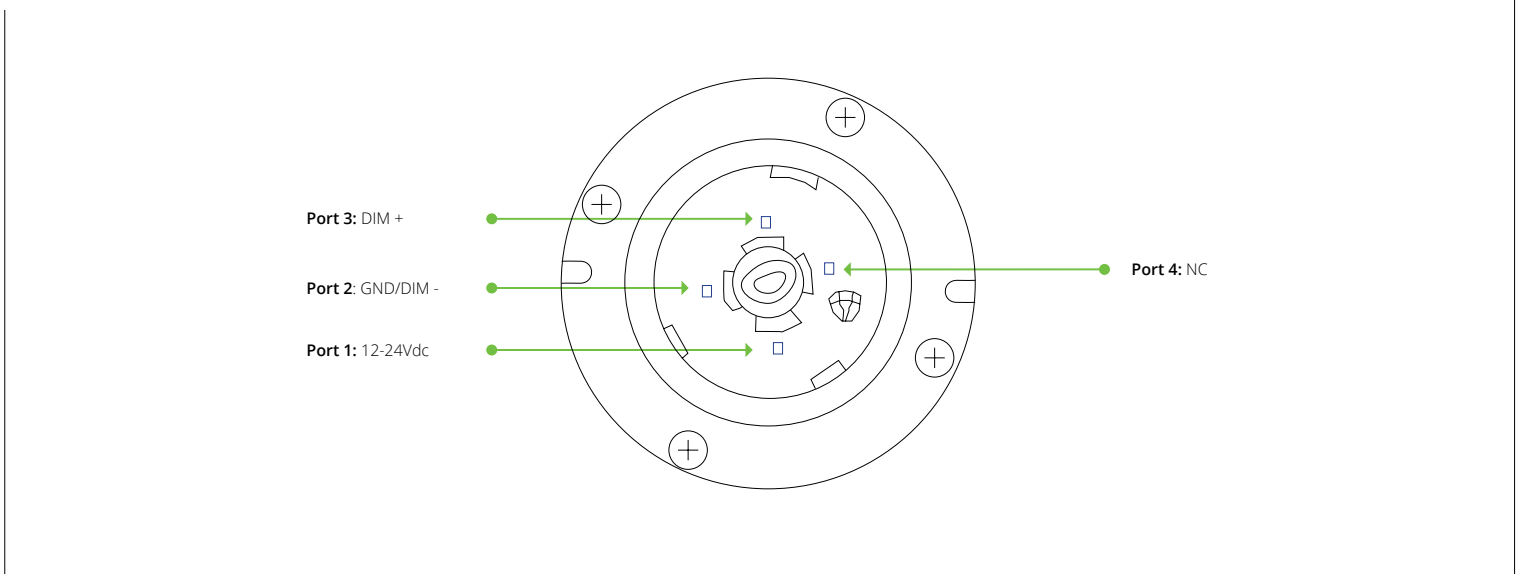
COMPATIBLE BLE DEVICES

ORDER CODE	ITEM #	DESCRIPTION
12635	PSC-DM-WS-100-BLE-SR	BLE TruBlu Single Button Bluetooth Mesh Wall Controller 120-277V White
12636	PSC-DM-I-WS-100-BLE-SR	BLE TruBlu Wireless Occupancy or Vacancy Sensor Dimming Wall Controller 120-277V White
12637	PSC-DM-WS-400-BLE-SR	BLE TruBlu 4-Button Wireless Bluetooth Mesh Wall Controller 120-277V White
12654	ESRPB-W-EO	BLE Easyfit by EnOcean Single Rocker Pad Wireless Controller Self-powered White
12655	EDRPB-W-EO	BLE Easyfit by EnOcean Double Rocker Pad Wireless Controller Self-powered White
12994	PSC-RET-100-BLE-SR	BLE TruBlu Range Extender 120-277V 800ft Nema 4x Outdoor Enclosure
12993	PSC-TKP-200-BLE-SR	BLE TruBlu Battery backup Timekeeper and Range Extender 120V 800ft Nema 4x Outdoor Enclosure
12634	PSC-WCM-450-BLE-SR	BLE TruBlu Wireless Control Module 0-10V dimming 12V AUX 300mA 120-277V 16A 100ft

PRODUCT DIMENSIONS

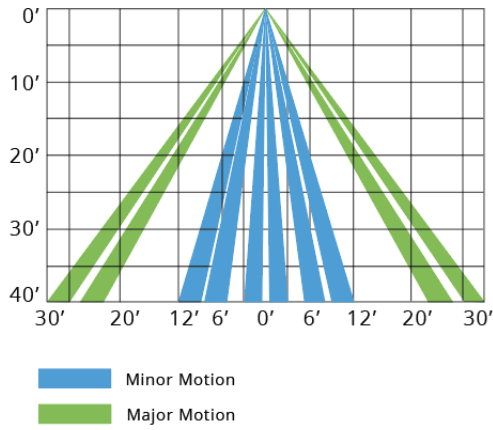


PIN DESCRIPTION



SENSOR DETECTION COVERAGE

COVERAGE SIDE VIEW



COVERAGE TOP VIEW

