



# AAL1 Area Light

## HIGHLIGHTS

- Architectural thin profile used for area light applications
- Controls Ready makes adding controls quick and easy. Includes screw-in receptacle for Standalone sensors or Networked Lighting Controls
- NEMA 7-pin photocell receptacle available by factory modification
- T2, T3, T4, T5 lens optics available
- Multiple mounting options available for versatile use (mounts sold separately)
- Hinged toolless access junction box makes installation and maintenance easier
- Includes pre-installed 3.3ft (1m) power cord
- One: 1/2" side knockout
- PowerSet feature allows for multiple lumen stops out of the box
- FieldCCeT features provides multiple color temperature settings in one fixture

## CERTIFICATIONS

- UL listed for US & Canada
- RoHS Compliant
- FCC Compliant
- ICES-005 Compliant
- IP65 Rated
- IK08
- 3G Rated per ANSI C136.31
- DesignLights Consortium® Premium Qualified - meets the requirements for the highest DLC qualification for efficacy and lumen maintenance - **Pending**

## PERFORMANCE

- High Efficacy, up to 140 lm/W
- Available in fixed wattage models: 150, 200, 240, 300W and PowerSet models: power-selectable 100/80/60W, 150/130/100W, 300/240/200W, 450/400/350W
- Available in single CCT models: 3000, 4000, 5000K or FieldCCeT models: field-selectable 30/40/5000K
- CRI: >80
- Distribution Types: T2, T3, T4, T5
- Estimated L70: 100,000 Hours

## ELECTRICAL

- Input voltage: 120-277V or 277-480V
- 0-10V dimming, dim-to-off
- 12VDC Aux, 100mA max
- Surge Protection: 10kV included, 20kV (optional)
- Power factor: >0.9
- THD: <20%

## THERMAL

- -40°F to 122°F (-40°C to 50°C) ambient operating temperature
- Ambient operating temperature with sensor (see selected sensor datasheet)

## CONSTRUCTION

- Bronze powder coated die-cast aluminum housing
- Impact and UV resistant polycarbonate lens

## WARRANTY

- 5-Year limited warranty available [online](#). Contact your EiKO sales rep for additional details.

|                |         |
|----------------|---------|
| project name   | type    |
| catalog number | voltage |
| approved by    | date    |

100/80/60W



150W & 150/130/100W



200W, 240W, 300W & 300/240/200W



450/400/350W



## APPLICATIONS

- Parking Areas
- Automotive Dealerships
- Roadways
- Campuses
- Streetscapes
- Airports
- Area security lighting
- Building facades
- Signs
- Entryways

## KEY FEATURES CONTROLS READY

Easily add controls anytime without the need for additional wiring

### NEMA PHOTOCELL OPTIONAL

Factory installed NEMA 7-pin photocell receptacle paired with 3-pin photocell (on/off) or 5-pin photocell (dimming) allows for enhanced security and additional energy savings

### TOOLLESS JUNCTION BOX

Hinged toolless junction box makes installation and maintenance easier

### LENS SWAP COMBINED W/

### ENVIRONMENTAL PROTECTION

T2, T3, T4, T5 (T2 & T4 available via factory mod). IP65, 3G, IK08 rated, powder coated die-cast bronze aluminum housing; impact and UV resistant polycarbonate lens.



USE THE SCREW-IN RECEPTACLE TO ADD STANDALONE OR NETWORKED LIGHTING CONTROLS. EITHER SOLUTION CAN BE PROGRAMMED AS A PHOTOCELL

T3 & T5 DISTRIBUTION ARE STOCKED ITEMS. T2 & T4 AVAILABLE VIA FACTORY MOD

SENSORS SOLD SEPARATELY (ADAPTER REQUIRED: SENA-APZ-WH)

IP65, IK08, 3G RATED



HINGED TOOLLESS DESIGN FOR EASY ACCESS TO JUNCTION BOX

FACTORY INSTALLED NEMA 7-PIN PHOTOCELL RECEPTACLE OPTIONAL

**AVAILABLE MODELS (\*T2&T4: AVAILABLE BY TAKING T3 OR T5 ITEM & SWAPPING OUT LENS VIA FACTORY MOD)**

| ORDER | ORDER CODE | ITEM #               | WATTS*       | CCT**           | LUMENS                  | EFFICACY (lm/W) | DIST. TYPE | VOLTAGE  | TRADITIONAL WATTAGE EQUIVALENT | DLC ID # |
|-------|------------|----------------------|--------------|-----------------|-------------------------|-----------------|------------|----------|--------------------------------|----------|
|       |            |                      |              |                 |                         |                 |            |          |                                | PREMIUM  |
|       | 14702      | AAL1-PS100-40T2-U*   | 100/80/60W   | 4000K           | 14,000/11,200/8400 lm   | 140 lm/W        | T2         | 120-277V | up to 400W HID                 | Pending  |
|       | 14703      | AAL1-PS100-50T2-U*   | 100/80/60W   | 5000K           | 14,000/11,200/8400 lm   | 140 lm/W        | T2         | 120-277V | up to 400W HID                 | Pending  |
|       | 13607      | AAL1-PS100-40T3-U    | 100/80/60W   | 4000K           | 14,000/11,200/8400 lm   | 140 lm/W        | T3         | 120-277V | up to 400W HID                 | Pending  |
|       | 13609      | AAL1-PS100-50T3-U    | 100/80/60W   | 5000K           | 14,000/11,200/8400 lm   | 140 lm/W        | T3         | 120-277V | up to 400W HID                 | Pending  |
|       | 14721      | AAL1-PS100-40T4-U*   | 100/80/60W   | 4000K           | 14,000/11,200/8400 lm   | 140 lm/W        | T4         | 120-277V | up to 400W HID                 | Pending  |
|       | 14722      | AAL1-PS100-50T4-U*   | 100/80/60W   | 5000K           | 14,000/11,200/8400 lm   | 140 lm/W        | T4         | 120-277V | up to 400W HID                 | Pending  |
|       | 13606      | AAL1-PS100-40T5-U    | 100/80/60W   | 4000K           | 14,000/11,200/8400 lm   | 140 lm/W        | T5         | 120-277V | up to 400W HID                 | Pending  |
|       | 13608      | AAL1-PS100-50T5-U    | 100/80/60W   | 5000K           | 14,000/11,200/8400 lm   | 140 lm/W        | T5         | 120-277V | up to 400W HID                 | Pending  |
|       | 14690      | AAL1-150-40T2-U*     | 150W         | 4000K           | 21,000 lm               | 140 lm/W        | T2         | 120-277V | 400W HID                       | Pending  |
|       | 14691      | AAL1-150-40T2-V*     | 150W         | 4000K           | 21,000 lm               | 140 lm/W        | T2         | 277-480V | 400W HID                       | Pending  |
|       | 14692      | AAL1-150-50T2-U*     | 150W         | 5000K           | 21,000 lm               | 140 lm/W        | T2         | 120-277V | 400W HID                       | Pending  |
|       | 14693      | AAL1-150-50T2-V*     | 150W         | 5000K           | 21,000 lm               | 140 lm/W        | T2         | 277-480V | 400W HID                       | Pending  |
|       | 13579      | AAL1-150-40T3-U      | 150W         | 4000K           | 21,000 lm               | 140 lm/W        | T3         | 120-277V | 400W HID                       | Pending  |
|       | 13583      | AAL1-150-40T3-V      | 150W         | 4000K           | 21,000 lm               | 140 lm/W        | T3         | 277-480V | 400W HID                       | Pending  |
|       | 13585      | AAL1-150-50T3-U      | 150W         | 5000K           | 21,000 lm               | 140 lm/W        | T3         | 120-277V | 400W HID                       | Pending  |
|       | 13587      | AAL1-150-50T3-V      | 150W         | 5000K           | 21,000 lm               | 140 lm/W        | T3         | 277-480V | 400W HID                       | Pending  |
|       | 14710      | AAL1-150-40T4-U*     | 150W         | 4000K           | 21,000 lm               | 140 lm/W        | T4         | 120-277V | 400W HID                       | Pending  |
|       | 14711      | AAL1-150-40T4-V*     | 150W         | 4000K           | 21,000 lm               | 140 lm/W        | T4         | 277-480V | 400W HID                       | Pending  |
|       | 14712      | AAL1-150-50T4-U*     | 150W         | 5000K           | 21,000 lm               | 140 lm/W        | T4         | 120-277V | 400W HID                       | Pending  |
|       | 14713      | AAL1-150-50T4-V*     | 150W         | 5000K           | 21,000 lm               | 140 lm/W        | T4         | 277-480V | 400W HID                       | Pending  |
|       | 13578      | AAL1-150-40T5-U      | 150W         | 4000K           | 21,000 lm               | 140 lm/W        | T5         | 120-277V | 400W HID                       | Pending  |
|       | 13582      | AAL1-150-40T5-V      | 150W         | 4000K           | 21,000 lm               | 140 lm/W        | T5         | 277-480V | 400W HID                       | Pending  |
|       | 13584      | AAL1-150-50T5-U      | 150W         | 5000K           | 21,000 lm               | 140 lm/W        | T5         | 120-277V | 400W HID                       | Pending  |
|       | 13586      | AAL1-150-50T5-V      | 150W         | 5000K           | 21,000 lm               | 140 lm/W        | T5         | 277-480V | 400W HID                       | Pending  |
|       | 14729      | AAL1-PS150-30T2-U*   | 150/130/100W | 3000K           | 21,000/18,200/14,000 lm | 140 lm/W        | T2         | 120-277V | up to 400W HID                 | Pending  |
|       | 14704      | AAL1-PS150-FCCTT2-U* | 150/130/100W | 3000/4000/5000K | 21,000/18,200/14,000 lm | 140 lm/W        | T2         | 120-277V | up to 400W HID                 | Pending  |
|       | 14705      | AAL1-PS150-FCCTT2-V* | 150/130/100W | 3000/4000/5000K | 21,000/18,200/14,000 lm | 140 lm/W        | T2         | 277-480V | up to 400W HID                 | Pending  |
|       | 14730      | AAL1-PS150-30T3-U    | 150/130/100W | 3000K           | 21,000/18,200/14,000 lm | 140 lm/W        | T3         | 120-277V | up to 400W HID                 | Pending  |
|       | 13621      | AAL1-PS150-FCCTT3-U  | 150/130/100W | 3000/4000/5000K | 21,000/18,200/14,000 lm | 140 lm/W        | T3         | 120-277V | up to 400W HID                 | Pending  |
|       | 14681      | AAL1-PS150-FCCTT3-V  | 150/130/100W | 3000/4000/5000K | 21,000/18,200/14,000 lm | 140 lm/W        | T3         | 277-480V | up to 400W HID                 | Pending  |
|       | 14731      | AAL1-PS150-30T4-U*   | 150/130/100W | 3000K           | 21,000/18,200/14,000 lm | 140 lm/W        | T4         | 120-277V | up to 400W HID                 | Pending  |
|       | 14723      | AAL1-PS150-FCCTT4-U* | 150/130/100W | 3000/4000/5000K | 21,000/18,200/14,000 lm | 140 lm/W        | T4         | 120-277V | up to 400W HID                 | Pending  |
|       | 14724      | AAL1-PS150-FCCTT4-V* | 150/130/100W | 3000/4000/5000K | 21,000/18,200/14,000 lm | 140 lm/W        | T4         | 277-480V | up to 400W HID                 | Pending  |
|       | 13614      | AAL1-PS150-30T5-U    | 150/130/100W | 3000K           | 21,000/18,200/14,000 lm | 140 lm/W        | T5         | 120-277V | up to 400W HID                 | Pending  |
|       | 13620      | AAL1-PS150-FCCTT5-U  | 150/130/100W | 3000/4000/5000K | 21,000/18,200/14,000 lm | 140 lm/W        | T5         | 120-277V | up to 400W HID                 | Pending  |
|       | 14679      | AAL1-PS150-FCCTT5-V  | 150/130/100W | 3000/4000/5000K | 21,000/18,200/14,000 lm | 140 lm/W        | T5         | 277-480V | up to 400W HID                 | Pending  |
|       | 14694      | AAL1-200-40T2-U*     | 200W         | 4000K           | 28,000 lm               | 140 lm/W        | T2         | 120-277V | 750W HID                       | Pending  |
|       | 14695      | AAL1-200-50T2-U*     | 200W         | 5000K           | 28,000 lm               | 140 lm/W        | T2         | 120-277V | 750W HID                       | Pending  |
|       | 13589      | AAL1-200-40T3-U      | 200W         | 4000K           | 28,000 lm               | 140 lm/W        | T3         | 120-277V | 750W HID                       | Pending  |
|       | 13591      | AAL1-200-50T3-U      | 200W         | 5000K           | 28,000 lm               | 140 lm/W        | T3         | 120-277V | 750W HID                       | Pending  |
|       | 14714      | AAL1-200-40T4-U*     | 200W         | 4000K           | 28,000 lm               | 140 lm/W        | T4         | 120-277V | 750W HID                       | Pending  |
|       | 14715      | AAL1-200-50T4-U*     | 200W         | 5000K           | 28,000 lm               | 140 lm/W        | T4         | 120-277V | 750W HID                       | Pending  |
|       | 13588      | AAL1-200-40T5-U      | 200W         | 4000K           | 28,000 lm               | 140 lm/W        | T5         | 120-277V | 750W HID                       | Pending  |
|       | 13590      | AAL1-200-50T5-U      | 200W         | 5000K           | 28,000 lm               | 140 lm/W        | T5         | 120-277V | 750W HID                       | Pending  |
|       | 14696      | AAL1-240-40T2-U*     | 240W         | 4000K           | 33,600 lm               | 140 lm/W        | T2         | 120-277V | 1000W HID                      | Pending  |
|       | 14697      | AAL1-240-50T2-U*     | 240W         | 5000K           | 33,600 lm               | 140 lm/W        | T2         | 120-277V | 1000W HID                      | Pending  |
|       | 13593      | AAL1-240-40T3-U      | 240W         | 4000K           | 33,600 lm               | 140 lm/W        | T3         | 120-277V | 1000W HID                      | Pending  |
|       | 13595      | AAL1-240-50T3-U      | 240W         | 5000K           | 33,600 lm               | 140 lm/W        | T3         | 120-277V | 1000W HID                      | Pending  |
|       | 14716      | AAL1-240-40T4-U*     | 240W         | 4000K           | 33,600 lm               | 140 lm/W        | T4         | 120-277V | 1000W HID                      | Pending  |
|       | 14717      | AAL1-240-50T4-U*     | 240W         | 5000K           | 33,600 lm               | 140 lm/W        | T4         | 120-277V | 1000W HID                      | Pending  |
|       | 13592      | AAL1-240-40T5-U      | 240W         | 4000K           | 33,600 lm               | 140 lm/W        | T5         | 120-277V | 1000W HID                      | Pending  |
|       | 13594      | AAL1-240-50T5-U      | 240W         | 5000K           | 33,600 lm               | 140 lm/W        | T5         | 120-277V | 1000W HID                      | Pending  |
|       | 14698      | AAL1-300-40T2-U*     | 300W         | 4000K           | 42,000 lm               | 140 lm/W        | T2         | 120-277V | 1000W HID                      | Pending  |
|       | 14699      | AAL1-300-40T2-V*     | 300W         | 4000K           | 42,000 lm               | 140 lm/W        | T2         | 277-480V | 1000W HID                      | Pending  |

\* All power-selectable fixtures ship at the highest wattage setting

\*\* All CCT-selectable fixtures ship at 5000K

AVAILABLE MODELS (\*T2&T4: AVAILABLE BY TAKING T3 OR T5 ITEM & SWAPPING OUT LENS VIA FACTORY MOD)

| ORDER | ORDER CODE | ITEM #               | WATTS*       | CCT**           | LUMENS                  | EFFICACY (lm/W) | DIST. TYPE | VOLTAGE  | TRADITIONAL WATTAGE EQUIVALENT | DLC ID # |
|-------|------------|----------------------|--------------|-----------------|-------------------------|-----------------|------------|----------|--------------------------------|----------|
|       |            |                      |              |                 |                         |                 |            |          |                                | PREMIUM  |
|       | 14700      | AAL1-300-50T2-U*     | 300W         | 5000K           | 42,000 lm               | 140 lm/W        | T2         | 120-277V | 1000W HID                      | Pending  |
|       | 14701      | AAL1-300-50T2-V*     | 300W         | 5000K           | 42,000 lm               | 140 lm/W        | T2         | 277-480V | 1000W HID                      | Pending  |
|       | 13597      | AAL1-300-40T3-U      | 300W         | 4000K           | 42,000 lm               | 140 lm/W        | T3         | 120-277V | 1000W HID                      | Pending  |
|       | 13601      | AAL1-300-40T3-V      | 300W         | 4000K           | 42,000 lm               | 140 lm/W        | T3         | 277-480V | 1000W HID                      | Pending  |
|       | 13603      | AAL1-300-50T3-U      | 300W         | 5000K           | 42,000 lm               | 140 lm/W        | T3         | 120-277V | 1000W HID                      | Pending  |
|       | 13605      | AAL1-300-50T3-V      | 300W         | 5000K           | 42,000 lm               | 140 lm/W        | T3         | 277-480V | 1000W HID                      | Pending  |
|       | 14544      | AAL1-300-40T4-U*     | 300W         | 4000K           | 42,000 lm               | 140 lm/W        | T4         | 120-277V | 1000W HID                      | Pending  |
|       | 14718      | AAL1-300-40T4-V*     | 300W         | 4000K           | 42,000 lm               | 140 lm/W        | T4         | 277-480V | 1000W HID                      | Pending  |
|       | 14719      | AAL1-300-50T4-U*     | 300W         | 5000K           | 42,000 lm               | 140 lm/W        | T4         | 120-277V | 1000W HID                      | Pending  |
|       | 14720      | AAL1-300-50T4-V*     | 300W         | 5000K           | 42,000 lm               | 140 lm/W        | T4         | 277-480V | 1000W HID                      | Pending  |
|       | 13596      | AAL1-300-40T5-U      | 300W         | 4000K           | 42,000 lm               | 140 lm/W        | T5         | 120-277V | 1000W HID                      | Pending  |
|       | 13600      | AAL1-300-40T5-V      | 300W         | 4000K           | 42,000 lm               | 140 lm/W        | T5         | 277-480V | 1000W HID                      | Pending  |
|       | 13602      | AAL1-300-50T5-U      | 300W         | 5000K           | 42,000 lm               | 140 lm/W        | T5         | 120-277V | 1000W HID                      | Pending  |
|       | 13604      | AAL1-300-50T5-V      | 300W         | 5000K           | 42,000 lm               | 140 lm/W        | T5         | 277-480V | 1000W HID                      | Pending  |
|       | 14732      | AAL1-PS300-30T2-U*   | 300/240/200W | 3000K           | 42,000/33,600/28,000 lm | 140 lm/W        | T2         | 120-277V | up to 1000W HID                | Pending  |
|       | 14733      | AAL1-PS300-30T3-U    | 300/240/200W | 3000K           | 42,000/33,600/28,000 lm | 140 lm/W        | T3         | 120-277V | up to 1000W HID                | Pending  |
|       | 14734      | AAL1-PS300-30T4-U*   | 300/240/200W | 3000K           | 42,000/33,600/28,000 lm | 140 lm/W        | T4         | 120-277V | up to 1000W HID                | Pending  |
|       | 13616      | AAL1-PS300-30T5-U    | 300/240/200W | 3000K           | 42,000/33,600/28,000 lm | 140 lm/W        | T5         | 120-277V | up to 1000W HID                | Pending  |
|       | 14706      | AAL1-PS300-FCCTT2-U* | 300/240/200W | 3000/4000/5000K | 42,000/33,600/28,000 lm | 140 lm/W        | T2         | 120-277V | up to 1000W HID                | Pending  |
|       | 14707      | AAL1-PS300-FCCTT2-V* | 300/240/200W | 3000/4000/5000K | 42,000/33,600/28,000 lm | 140 lm/W        | T2         | 277-480V | up to 1000W HID                | Pending  |
|       | 13625      | AAL1-PS300-FCCTT3-U  | 300/240/200W | 3000/4000/5000K | 42,000/33,600/28,000 lm | 140 lm/W        | T3         | 120-277V | up to 1000W HID                | Pending  |
|       | 14682      | AAL1-PS300-FCCTT3-V  | 300/240/200W | 3000/4000/5000K | 42,000/33,600/28,000 lm | 140 lm/W        | T3         | 277-480V | up to 1000W HID                | Pending  |
|       | 14725      | AAL1-PS300-FCCTT4-U* | 300/240/200W | 3000/4000/5000K | 42,000/33,600/28,000 lm | 140 lm/W        | T4         | 120-277V | up to 1000W HID                | Pending  |
|       | 14726      | AAL1-PS300-FCCTT4-V* | 300/240/200W | 3000/4000/5000K | 42,000/33,600/28,000 lm | 140 lm/W        | T4         | 277-480V | up to 1000W HID                | Pending  |
|       | 13624      | AAL1-PS300-FCCTT5-U  | 300/240/200W | 3000/4000/5000K | 42,000/33,600/28,000 lm | 140 lm/W        | T5         | 120-277V | up to 1000W HID                | Pending  |
|       | 14680      | AAL1-PS300-FCCTT5-V  | 300/240/200W | 3000/4000/5000K | 42,000/33,600/28,000 lm | 140 lm/W        | T5         | 277-480V | up to 1000W HID                | Pending  |
|       | 14708      | AAL1-PS450-40T2-U*   | 450/400/350W | 4000K           | 63,000/56,000/49,000 lm | 140 lm/W        | T2         | 120-277V | up to 1000W HID                | Pending  |
|       | 14709      | AAL1-PS450-50T2-U*   | 450/400/350W | 5000K           | 63,000/56,000/49,000 lm | 140 lm/W        | T2         | 120-277V | up to 1000W HID                | Pending  |
|       | 13611      | AAL1-PS450-40T3-U    | 450/400/350W | 4000K           | 63,000/56,000/49,000 lm | 140 lm/W        | T3         | 120-277V | up to 1000W HID                | Pending  |
|       | 13613      | AAL1-PS450-50T3-U    | 450/400/350W | 5000K           | 63,000/56,000/49,000 lm | 140 lm/W        | T3         | 120-277V | up to 1000W HID                | Pending  |
|       | 14545      | AAL1-PS450-40T4-U*   | 450/400/350W | 4000K           | 63,000/56,000/49,000 lm | 140 lm/W        | T4         | 120-277V | up to 1000W HID                | Pending  |
|       | 14727      | AAL1-PS450-50T4-U*   | 450/400/350W | 5000K           | 63,000/56,000/49,000 lm | 140 lm/W        | T4         | 120-277V | up to 1000W HID                | Pending  |
|       | 13610      | AAL1-PS450-40T5-U    | 450/400/350W | 4000K           | 63,000/56,000/49,000 lm | 140 lm/W        | T5         | 120-277V | up to 1000W HID                | Pending  |
|       | 13612      | AAL1-PS450-50T5-U    | 450/400/350W | 5000K           | 63,000/56,000/49,000 lm | 140 lm/W        | T5         | 120-277V | up to 1000W HID                | Pending  |

\* All power-selectable fixtures ship at the highest wattage setting

\*\* All CCT-selectable fixtures ship at 5000K

FACTORY INSTALLED OPTIONS

| SURGE PROTECTION  | CONTROLS*   |
|---|---|
| <p><b>[Blank]</b> : Default 10kV surge protection</p> <p><b>SP2</b> : 20kV surge protection</p> | <p><b>[Blank]</b> : Default, no socket, no photocell</p> <p><b>PC1</b> : 3-pin NEMA Twist-lock Shorting Plug, 120-480V, 15A</p> <p><b>PC2</b> : 3-pin NEMA Twist-lock Photocell, 120-277V, 2A</p> <p><b>PC3</b> : 3-pin NEMA Twist-lock Premium Photocell, 120-277V, 6A</p> <p><b>PC4</b> : 3-pin NEMA Twist-lock Premium Photocell LED4537SC, 347-480V, 2A</p> <p><b>PC6</b> : 3-pin NEMA Twist-lock Photocell, 120-277V, 5A and 120W+ only</p> <p><b>PC7</b> : 3-pin NEMA Twist-lock Photocell, 120-277V, 5A</p> <p><b>PC8</b> : 3-pin NEMA Twist-lock Photocell, 120-480V, 5A</p> <p><b>PC9</b> : 5-pin NEMA Twist-lock Photocell, 0-10V Dimmable, 120-277V, 5A</p> <p><b>PC10</b> : 5-pin NEMA Twist-lock Photocell, 0-10V Dimmable, 347-480V, 2A</p> |

\* **Note:** PC1-PC10 comes with a NEMA 7-pin receptacle allowing for the photocell to be added or replaced in the field.

MODEL CONFIGURATOR





FACTORY INSTALLED OPTIONS

| MODEL       | - | WATTS | - | CCT | DIST. TYPE | - | VOLTAGE | - | SURGE PROTECTION | - | CONTROLS |
|-------------|---|-------|---|-----|------------|---|---------|---|------------------|---|----------|
| <b>AAL1</b> | - |       | - |     |            | - |         | - |                  | - |          |

EXAMPLE PART NUMBER: PART NUMBER FROM AVAILABLE MODELS FOLLOWED BY -SP2-PC1

REFER TO FOLLOWING SECTIONS FOR DETAILS ON FACTORY INSTALLED OPTIONS & AVAILABLE FIELD INSTALLED OPTIONS

## MOUNTS & ACCESSORIES\* (FOR POLE ADAPTERS AND MOUNTS SEE PA1 SPEC SHEET)

| ORDER | ORDER CODE | ITEM #  | DESCRIPTION  |   |
|-------|------------|---------|--|---|
|       | 13804      | AAL1-SF | AAL1 Slip fitter mount, up to 2 3/8" tenon top, bronze |  |
|       | 13805      | AAL1-MA | AAL1 Adjustable direct mounting arm, bronze            |  |
|       | 13806      | AAL1-TR | AAL1 Trunnion mount, bronze                            |  |
|       | 13807      | AAL1-FM | AAL1 Fixed direct mounting arm, bronze                 |  |

\* A mount is required when ordering. The fixture does not come with a mount.

## CONTROLS & SENSORS: FIELD OR FACTORY INSTALLED

| ORDER                                      | ORDER CODE | ITEM #    | DESCRIPTION  | FACTORY INSTALLED CODE |
|--|------------|-----------|--|------------------------|
| <b>STANDALONE CONTROLS</b>                 |            |           |  |                        |
| <b>PHOTOCELL VIA NEMA 7-PIN RECEPTACLE</b> |            |           |  |                        |
|  | 12092      | SK4500K   | 3-pin NEMA Twist-lock Intermatic Shorting plug SK4500K, 120-480V, 15A, 2-year Warranty | PC1                    |
|  | 10041      | ELC4536   | 3-pin NEMA Twist-lock Photocell ELC4536, 120-277V, 2A, 6-year Warranty                 | PC2                    |
|  | 10042      | EK4536    | 3-pin NEMA Twist-lock Premium Photocell EK4536, 120-277V, 6A, 8-year Warranty          | PC3                    |
|  | 10204      | LED4537SC | 3-pin NEMA Twist-lock Premium Photocell LED4537SC, 347-480V, 2A, 12-year Warranty      | PC4                    |
|  | 801334     | JL-205C   | 3-pin NEMA Twist-lock Photocell, 120-277V, 5A and 120W+ only, 2-year Warranty          | PC6                    |
|  | 801335     | JL-207C   | 3-pin NEMA Twist-lock Photocell, 120-277V, 5A, 5-year Warranty                         | PC7                    |
|  | 801336     | JL-207F   | 3-pin NEMA Twist-lock Photocell, 120-480V, 5A, 5-year Warranty                         | PC8                    |
|  | 801337     | JL-242C   | 5-pin NEMA Twist-lock Photocell, 0-10V Dimmable, 120-277V, 5A, 5-year Warranty         | PC9                    |
|  | 801338     | JL-242F   | 5-pin NEMA Twist-lock Photocell, 0-10V Dimmable, 347-480V, 2A, 5-year Warranty         | PC10                   |

| <b>PIR SENSORS</b>        |       |               |  |     |
|---------------------------|-------|---------------|--|-----|
|                           | 13342 | SEN5A-SZPR-WH | Stand-alone PIR Motion Sensor, 12-24V, Z10, 0-10V, Daylight Harvesting, 40ft, White, Parameters set by SEN5A-ACT.<br><b>Note:</b> Screw-in to Z10 adaptor required: SENA-APZ-WH.       | --- |
| <b>MICROWAVE SENSORS*</b> |       |               |  |     |
|                           | 13341 | SEN5A-SZMR-WH | Stand-alone Microwave Motion Sensor, 12-24V, Z10, 0-10V, Daylight Harvesting, 40ft, White, Parameters set by SEN5A-ACT.<br><b>Note:</b> Screw-in to Z10 adapter required: SENA-APZ-WH. | --- |
|                           | 11931 | SEN5A/M/Z10   | Stand-alone Microwave Motion Sensor, 12-24V, Z10, 0-10V, Ambient Threshold, 40ft, Parameters set by RC-100/SEN5A-ACT.<br><b>Note:</b> Screw-in to Z10 adapter required: SENA-APZ-WH    | --- |

\* Microwave sensors must be installed on stable and immovable fixtures to avoid false activation from swinging.

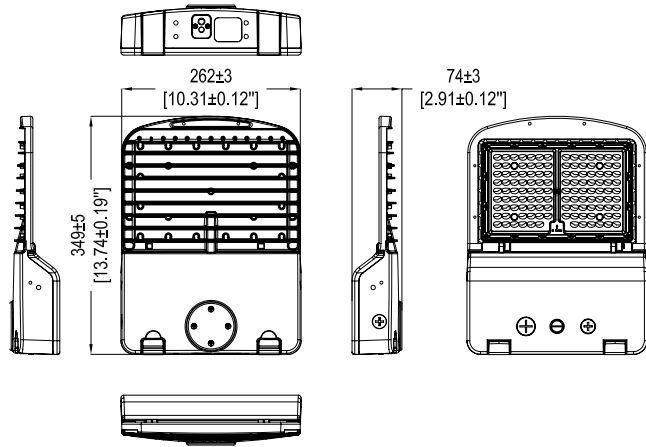
| <b>REMOTES FOR COMMISSIONING STANDALONE CONTROLS</b> |       |           |  |     |
|--|-------|-----------|--|-----|
|  | 13344 | SEN5A-ACT | Commissioning Tool for SEN5A, BAY-E-SEN/PIR, BAY-E-SEN/M, and MS2-DPX-3 (Backward compatible with SEN5A/CT and RC-100) | --- |

| <b>NETWORKED LIGHTING CONTROLS (NLC)</b> |       |                        |  |     |
|--|-------|------------------------|--|-----|
| <b>SENSOR AND CONTROLLER</b>             |       |                        |  |     |
|  | 13246 | SENA-WZPA-WH           | BLE PIR Motion sensor, 12-24V, IP65, Z10, 0-10V, Daylight Harvesting, 40ft, Parameters set by Silvoir App.<br><b>Note:</b> Screw-in adaptor required: SENA-APZ-WH. | --- |
|  | 12643 | PSC-ZKV-WCM-100-BLE-SR | BLE TruBle wireless fixture Controller, 12-24V, Z10, 0-10V, Parameters set by Silvoir App.<br><b>Note:</b> Screw-in to Z10 adaptor required: SENA-APZ-WH.          | --- |
| <b>WALL OR WIRELESS CONTROLLERS</b>      |       |                        |  |     |
|  | 12654 | ESRPB-W-EO             | BLE Easyfit by EnOcean wireless self-powered kinetic Single rocker pad, white, wall plate included.  | --- |
|  | 12655 | EDRPB-W-EO             | BLE Easyfit by EnOcean wireless self-powered kinetic Double rocker pad, white, wall plate included.  | --- |
|  | 12635 | PSC-DM-WS-100-BLE-SR   | BLE TruBlu 120-277V, Single Gang Single Button Wall Controller, White, Parameters set by Silvoir App.  | --- |
|  | 12636 | PSC-DM-I-WS-100-BLE-SR | BLE TruBlu PIR Occupancy/ Vacancy Sensor, 120-277V, Single Gang Wall Controller, White, Parameters set by Silvoir App.   | --- |
|  | 12637 | PSC-DM-WS-400-BLE-SR   | BLE TruBlu 4-Button Wall Controller, 120-277V, Single Gang, White, Parameters set by Silvoir App.  | --- |

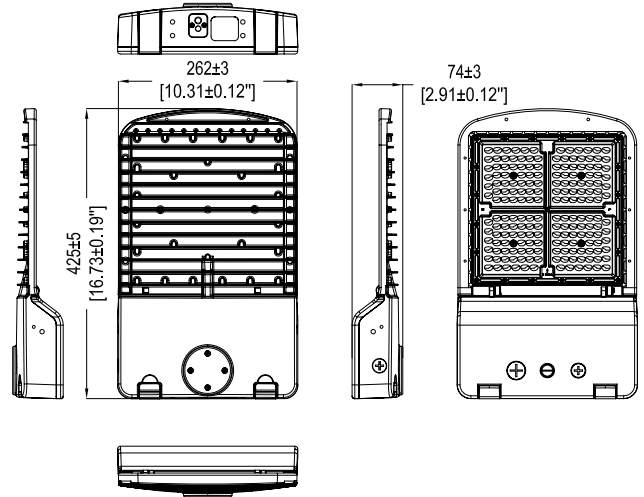
# CONTROLS & SENSORS: FIELD OR FACTORY INSTALLED CON'T

| ORDER                             | ORDER CODE | ITEM #             | DESCRIPTION   | FACTORY INSTALLED CODE |
|-----------------------------------|------------|--------------------|---|------------------------|
| <b>ADAPTERS &amp; ACCESSORIES</b> |            |                    |   |                        |
|                                   | 13467      | SENA-APZ-WH        | Z10 adaptor 1/2" Screw-in spring load pins to Z10 Receptacle IP65 White                         | ---                    |
|                                   | 12994      | PSC-RET-100-BLE-SR | BLE TruBlu Range Extender, 120-277V, 800ft, NEMA 4X Outdoor Enclosure                           | ---                    |
|                                   | 12993      | PSC-TKP-200-BLE-SR | BLE TruBlu Battery Backup Timekeeper and Range Extender, 120V, 800ft, NEMA 4X Outdoor Enclosure | ---                    |

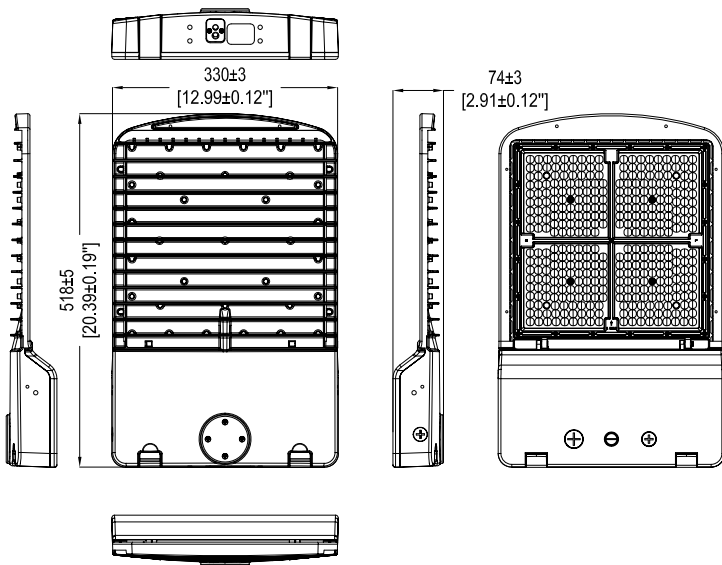
## PRODUCT DIMENSIONS



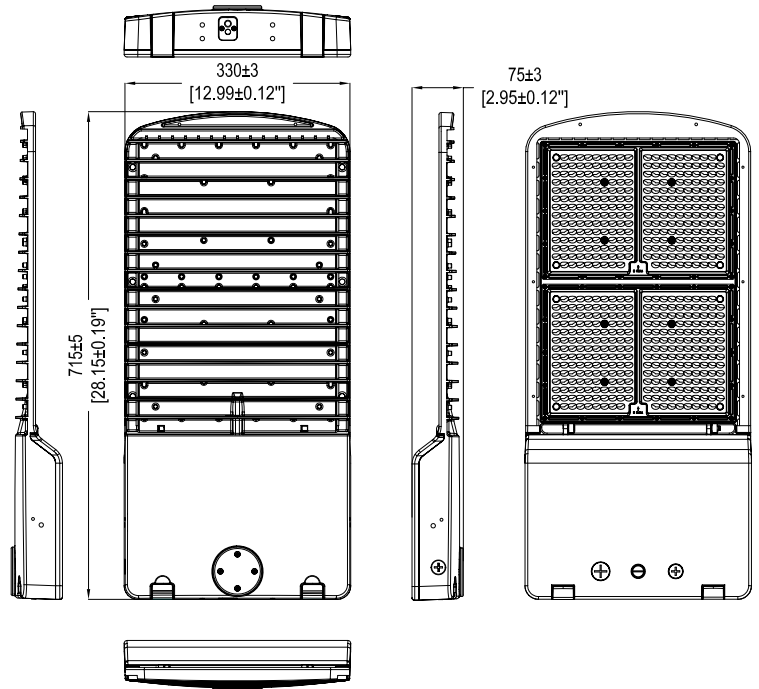
**100/80/60W**



**150W & 150/130/100W**



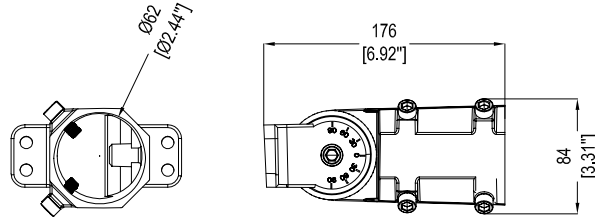
**200W, 240W, 300W & 300/240/200W**



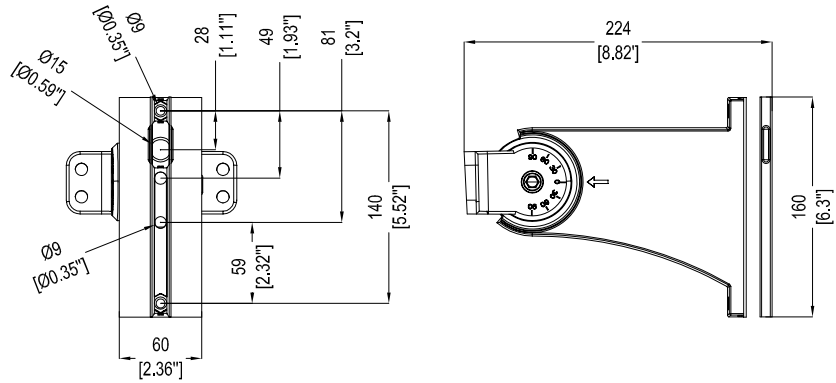
**450/400/350W**

## MOUNT DIMENSIONS

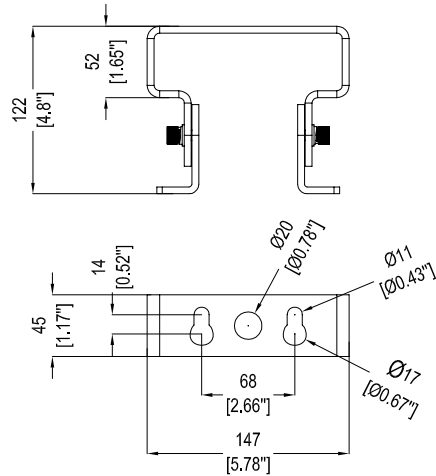
### SLIPFITTER MOUNT



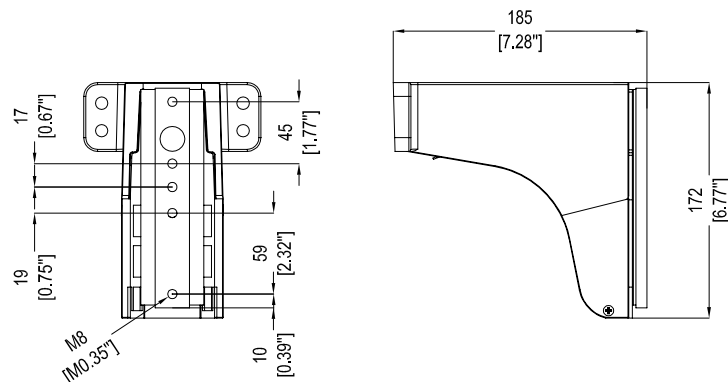
### ADJUSTABLE DIRECT MOUNTING ARM



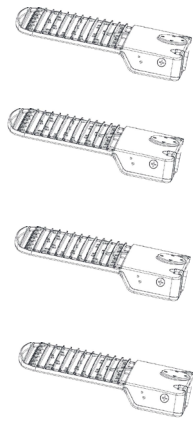
### TRUNNION MOUNT



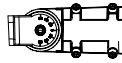
### DIRECT MOUNTING ARM



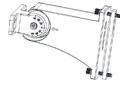
# CONFIGURATIONS (MOUNTS ORDERED SEPARATELY AND FIELD INSTALLED)



## SLIP FITTER MOUNT



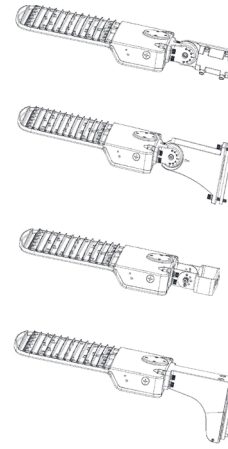
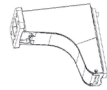
## ADJUSTABLE DIRECT MOUNT



## TRUNNION MOUNT



## DIRECT MOUNT



## MOUNTING CONFIGURATIONS

### 100/80/60W



S Single  
EPA: 0.59  
7.33lbs/3.33kg



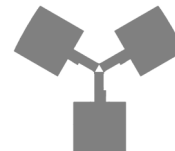
D90 Double 90°  
EPA: 0.75  
14.65lbs/6.66kg



D180 Double 180°  
EPA: 0.98  
14.65lbs/6.66kg



T90 Triple 90°  
EPA: 1.15  
21.98lbs/9.99kg



T90 Triple 120°  
EPA: 1.24  
21.98lbs/9.99kg



Q90 Quad 90°  
EPA: 1.15  
29.30lbs/13.32kg

### 150W & 150/130/100W



S Single  
EPA: .59  
8.71lbs/3.96kg



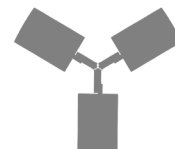
D90 Double 90°  
EPA: .92  
17.42lbs/7.92kg



D180 Double 180°  
EPA: 1.19  
17.42lbs/ 7.92kg



T90 Triple 90°  
EPA: 1.40  
26.14lbs/11.88kg



T90 Triple 120°  
EPA: 1.50  
26.14lbs/11.88kg



Q90 Quad 90°  
EPA: 1.40  
34.85lbs/15.84kg

### 200W, 240W, 300W & 300/240/200W



S Single  
EPA: .72  
10.52lbs/4.78kg



D90 Double 90°  
EPA: 1.12  
21.03lbs/ 9.56kg



D180 Double 180°  
EPA: 1.45  
21.03lbs/9.56kg



T90 Triple 90°  
EPA: 1.70  
31.55lbs/14.34kg



T90 Triple 120°  
EPA: 1.83  
31.55lbs/14.34kg



Q90 Quad 90°  
EPA: 1.70  
42.06lbs/ 9.12kg

### 450/400/350W



S Single  
EPA: .98  
16.08lbs/ 7.31kg



D90 Double 90°  
EPA: 1.53  
32.16lbs/14.62kg



D180 Double 180°  
EPA: 1.99  
32.16lbs/14.62kg



T90 Triple 90°  
EPA: 2.34  
48.25lbs/21.93kg



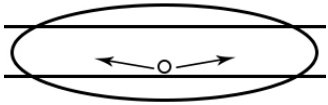
T90 Triple 120°  
EPA: 2.52  
48.25lbs/21.93kg



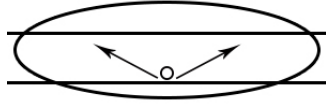
Q90 Quad 90°  
EPA: 2.34  
63.33lbs/29.24kg

## DISTRIBUTION & PHOTOMETRICS

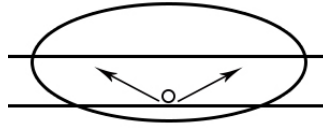
(VISIT [EIKO.COM](http://EIKO.COM) TO CREATE A FREE PHOTOMETRIC LIGHTING LAYOUT OR REACH OUT TO YOUR REGIONAL ACCOUNT SPECIALIST FOR ASSISTANCE). ALL IES FILES CAN BE FOUND AT [EIKO.COM](http://EIKO.COM).



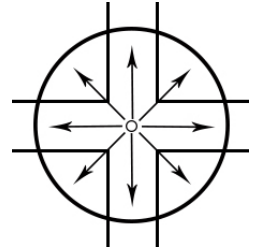
Type II



Type III



Type IV



Type V