



SEN Snap-In PIR Motion Sensor: Stand-alone

HIGHLIGHTS

- Snap-in PIR Motion Sensor sensor; see below for fixture compatibility
- Features passive infrared technology; used for automatically turning the lights on when occupancy is detected and off when there is no occupancy detected
- Field adjustable settings included: brightness (high-end trim), dim level, sensitivity, hold time, and dim time for customized lighting control
- Dual ambient and daylight sensing technology improves accuracy in outdoor applications when the sensor is within the range of artificial light emitted from the fixture, resulting in a more energy-efficient and reliable lighting system
- Daylight harvesting for energy efficiency*
- Occupancy detection can be disabled, and the sensor can function as a photocell alone
- Photocell function can be used as traditional dusk-to-dawn or two-stage dimming/midnight dimming
- Supports maintenance-friendly features such as remote commissioning

CERTIFICATIONS

- UL listed for US & Canada
- RoHS Compliant
- Damp Location

PERFORMANCE

- Mounting Height: 8-12ft
- 0-10V dimming bi-level dimming
- 360° Coverage Pattern

ELECTRICAL

- Input voltage: 12-14VDC
- Input current: 50mA
- Dimming: 0-10V
- Remote control: SEN5A-ACT (purchased separately)

THERMAL

- -4°F to 140°F (-20°C to 60°C) ambient operating temperature

CONSTRUCTION

- White polycarbonate housing
- Snap-in installation

COMPATIBILITY

- Fixtures: CSX1, VL1, and VLR1; Factory MOD: VOLR and STR

FACTORY DEFAULT SETTING

- Brightness: 100%
- Sensitivity: 75%
- Hold Time: 10 minutes
- Daylight Function: Disable
- Dim level: 30%
- Dim Time: 1 minute

WARRANTY

- 5-Year limited warranty available [online](#). Contact your EIKO sales rep for additional details.

KEY FEATURES

SNAP-IN DESIGN

Makes adding a stand-alone control solution simple and easy; to be used with fixtures that can accommodate a snap-in control solution (see above for compatibility).

EASILY CHANGE FACTORY DEFAULT SETTINGS

Simply use the commissioning tool (purchased separately) to change brightness (high-end trim), dim level, sensitivity, hold time, and dim time; once you have your settings locked into the commissioning tool then aim at each sensor individually to program

SENSOR CUSTOMIZATION

Dual ambient and daylight sensing technology featuring daylight harvesting, occupancy detection or photocell alone. Photocell function can be used as a traditional dusk-to-dawn or two-stage dimming/midnight dimming.

project name	type
catalog number	voltage
approved by	date



RoHS Compliant



APPLICATIONS

- Offices
- Classrooms
- Restrooms
- Hallways
- Storage Rooms
- Stairwells



* For detailed instructions on how to configure the daylight harvesting setting, please refer to the SEN5A-ACT Operation Instructions.

AVAILABLE MODELS

ORDER	ORDER CODE	ITEM #	INPUT VOLTAGE	SENSOR TECHNOLOGY	DAYLIGHT HARVESTING	DIMMING	MOUNTING HEIGHT	INSTALLATION TYPE
	13697	SENA-SHPR	12-14VCD	PIR	Yes	0-10V	8-12ft	Snap-in

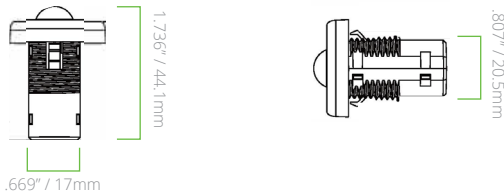
ACCESSORIES

ORDER	ORDER CODE	ITEM #	DESCRIPTION
	13344	SEN5A-ACT*	Commissioning Tool for SEN5A, BAY-E-SEN/PIR, BAY-E-SEN/M, and MS2-DPX-3 (Backward compatible with SEN5A/CT and RC-100)



* Commissioning tool required for making changes to factory default settings.

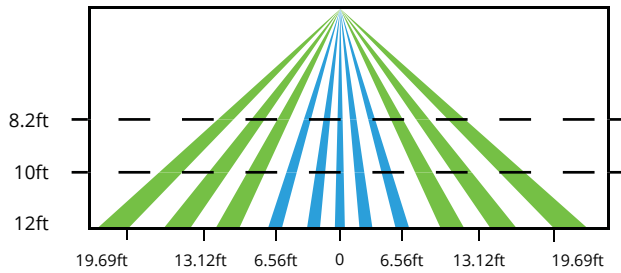
PRODUCT DIMENSIONS



SENA-SHPR

SENSOR DETECTION COVERAGE

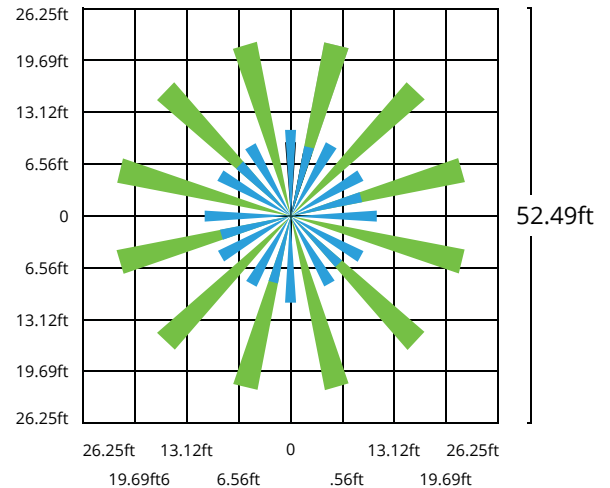
COVERAGE SIDE VIEW



The detection area for movement sensor can be roughly divided into two parts:

- Slow movement (person moving < 1.0'/s)
- Quick movement (person moving > 1.3'/s)

OVERAGE TOP VIEW

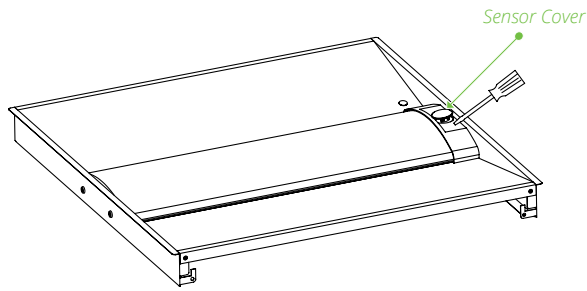


Note: For the best performance, it is recommended to mount the sensor between 8-12ft in height. Low mounting can result in narrow detection coverage, while mounting the sensor higher than 20ft may limit the detection coverage to only the sensor center cone area.

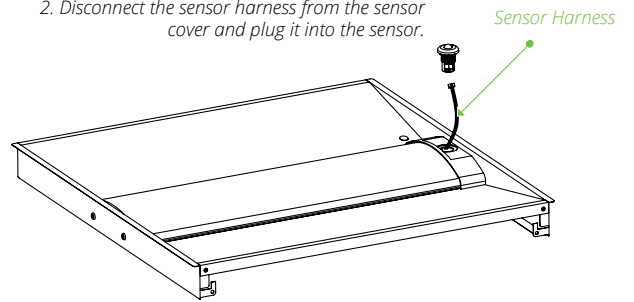
Warning: The microwave sensor must be installed on stable and immovable fixtures and is not recommended for chain/cable-mounted fixtures, as even slight swings can trigger the sensor.

INSTALLATION INSTRUCTIONS

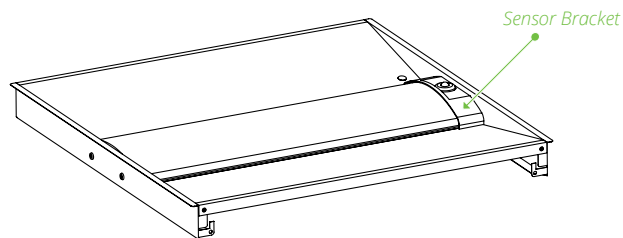
1. Take a flat head screwdriver and gently pry open the sensor cover.



2. Disconnect the sensor harness from the sensor cover and plug it into the sensor.



3. Align the sensor with the sensor bracket and firmly push the sensor in place until it snaps securely.



COMMISSIONING:

Please refer to the SEN5A-ACT User Manual for commissioning instructions. [Download it here.](#)

Looking for Commissioning Instructions? Use QR Code below or [Download it here.](#)

