



TRH Tube Ready High Bay

HIGHLIGHTS

Tube Ready High Bay fixtures are designed for maximum flexibility, pre-wired for double ended line voltage LED tubes (Type B) and external driver double ended LED tubes (Type C). These fixtures, coupled with our LED retrofit tubes, provide the end-user with the ability to address their specific needs with maximum ROI: low costs, ease of maintenance, energy savings, and low installation times.

CERTIFICATIONS

- UL Listed for dry and damp locations

PERFORMANCE

- Pre-wired for bypass/line voltage double-ended LED T8 or T5 tubes
- White finish
- Compatible with any suitable T8 or T5 LED tubes

CONSTRUCTION

- Galvanized sheet steel body
- Post-fabrication powder coating for improved corrosion resistance
- V-hooks and chain included
- Shunted sockets

WARRANTY

- 5 Year limited warranty available [online](#). Contact your EiKO sales rep for additional details.

project name	type
catalog number	voltage
approved by	date



4 x 4' T8



6 x 4' T8



8 x 4' T8



4 x 4' T5



RoHS Compliant



APPLICATIONS

- Warehouses
- Industrial/Commercial
- Low Bay
- High Bay
- Retail

AVAILABLE MODELS

ORDER	ORDER CODE	ITEM #	LENGTH	# OF LAMPS	MAX WATTAGE PER LAMP
	11212	TRH4-44T8DE	4'	4	17W
	11213	TRH4-64T8DE	4'	6	17W
	11214	TRH4-84T8DE	4'	8	17W
	11215	TRH4-44T5DE	4'	4	25W

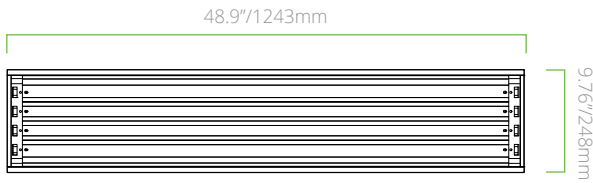
MODEL CONFIGURATOR				
MODEL	-	SIZE	-	LAMP TYPE
TRH4	-		-	

EXAMPLE PART NUMBER: TRH4-44T8DE

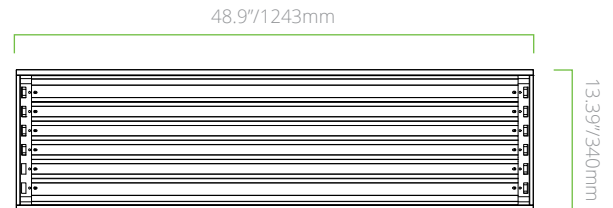
ACCESSORIES

ORDER	ORDER CODE	ITEM #	DESCRIPTION
	11216	TRHWG4	Wire Guard 4 Lamp
	11217	TRHWG6	Wire Guard 6 Lamp
	11218	TRHWG8	Wire Guard 8 Lamp
	11268	TRHWG4T5	Wire Guard 4 lamp T5

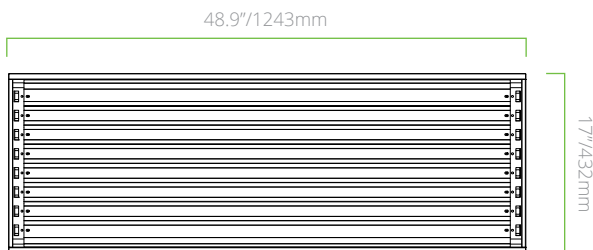
PRODUCT DIMENSIONS



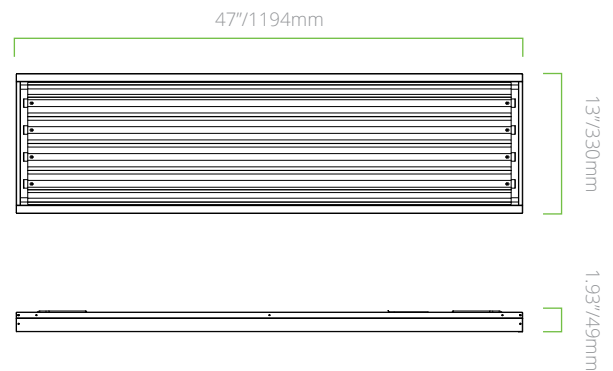
TRH4-44T8DE



TRH4-64T8DE



TRH4-84T8DE



TRH4-44T5DE