



DTD Dusk To Dawn

HIGHLIGHTS

- 90% energy savings vs. traditional HID sources
- 13 years of maintenance-free operation with LED lifespan of 54,000 hours
- Instant-on with no warm-up, unlike HID
- Universal 120-277V photo control provides nighttime ON / daytime OFF
- Polyester powder coat gray finish for extra corrosion protection
- Suitable for wall or pole mount applications
- Multiple pole mounting options available for versatile use
- Designed for use with EiKO's aluminum or steel poles; contact EiKO for package pricing
- Included arm for all in one box ease

CERTIFICATIONS

- UL listed for US & Canada
- RoHS Compliant
- FCC Compliant
- IP65 Rated
- DesignLights Consortium® Premium Qualified - meets the requirements for the highest DLC qualification for efficacy and lumen maintenance

PERFORMANCE

- High Efficacy, up to 140 lm/W
- Available in fixed wattage models: 45W, 47W, 80W, 84W, 120W or 125W
- Available in single CCT models: 5000K or FieldCCeT models: field-selectable CCT 30/40/5000K
- CRI: >70
- Estimated Lifetime L70: >54,000 hours

ELECTRICAL

- Input voltage: 120-277V
- 0-10V dimming, dim-to-off
- Surge Protection: 2KV; 4KV
- Power Factor: >0.9
- THD: <20%

THERMAL

- -40°F to 104°F (-40°C to 40°C) ambient operating temperature

CONSTRUCTION

- Diecast aluminum housing
- Impact resistant, non-yellowing polycarbonate lens
- Polyester powder coat gray finish

WARRANTY

- 5-Year limited warranty available [online](#). Contact your EiKO sales rep for additional details.

project name	type
catalog number	voltage
approved by	date



45W/47W



80W/84W/120W/125W



APPLICATIONS

- Shipping/Receiving
- Warehouses
- Exterior Perimeter
- Parking Garage
- Parking Lot
- Pathway

KEY FEATURES

DIFFERENT MOUNTING APPLICATIONS

Suitable for wall or pole mount applications

DIFFERENT MOUNTING OPTIONS

Multiple pole mounting options available for versatile use

INSTANT LIGHT!

Instant-on with no warm-up, unlike HID



AVAILABLE MODELS

ORDER	ORDER CODE	ITEM #	WATTS	CCT*	LUMENS	EFFICACY (lm/W)	CRI	DIMMING	VOLTAGE	DLC ID #
										PREMIUM
12355	DTD/45W/7FCCT/UD/PC		45W	30/40/5000K	6247 lm	139 lm/W	>70	0-10V	120-277V	PLF90HHR62NW
12351	DTD/47W/750/UD/PC		47W	5000K	5857 lm	125 lm/W	>70	0-10V	120-277V	PLCPYZRD73CX
12356	DTD/80W/7FCCT/UD/PC		80W	30/40/5000K	11,137 lm	139 lm/W	>70	0-10V	120-277V	PLKLMEAR5GBS
12352	DTD/84W/750/UD/PC		84W	5000K	10753 lm	128 lm/W	>70	0-10V	120-277V	PL2E5FZIU6CP
12357	DTD/120W/7FCCT/UD/PC		120W	30/40/5000K	16102 lm	134 lm/W	>70	0-10V	120-277V	PL141EV53GYH
12363	DTD/125W/750/UD/PC		125W	5000K	15909 lm	127 lm/W	>70	0-10V	120-277V	PLGFX62W6ME2

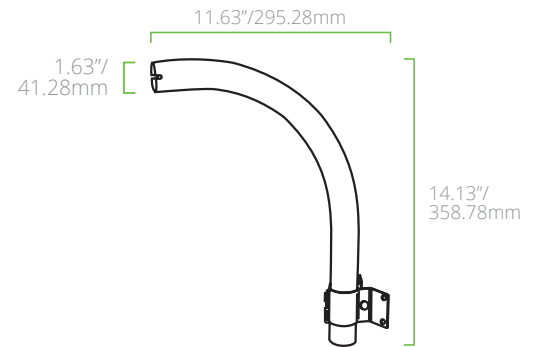
MODEL CONFIGURATOR									
MODEL	-	WATTS	-	CRI&CCT	-	VOLTAGE	-	PHOTOCELL	
DTD	/		/		/	UD	/	PC	

EXAMPLE PART NUMBER: DTD/84W/750/UD/PC

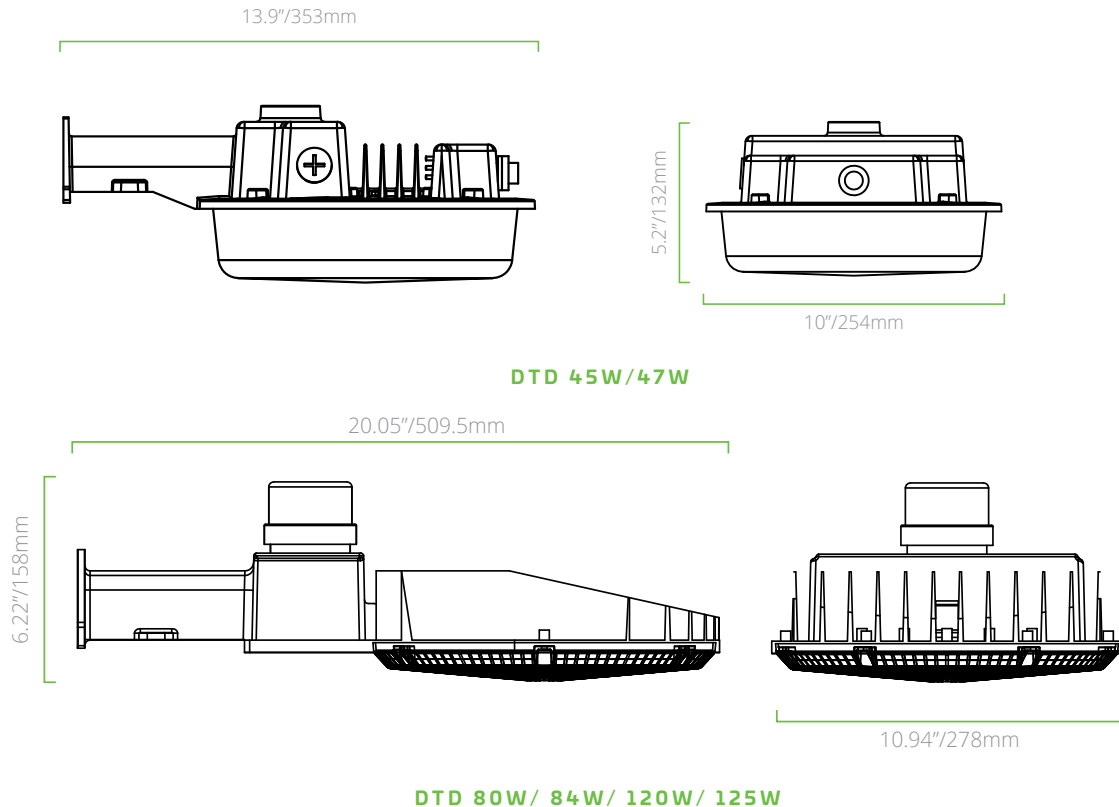
ACCESSORIES

ORDER	ORDER CODE	ITEM #	DESCRIPTION
14950	JL-208		3-pin Nema Twist-lock Shorting plug, 120-480V, 15A, 2-year Warranty. Compatible for DTD 80W/84W/120W/125W Only.

ARM DIMENSIONS



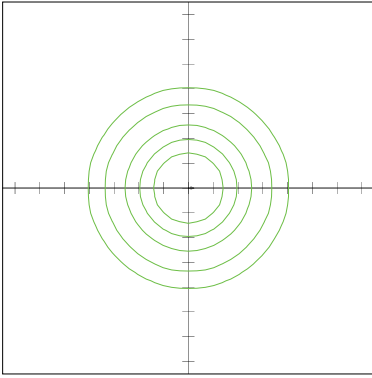
PRODUCT DIMENSIONS



PHOTOMETRICS

DTD/47W/750/UD/PC

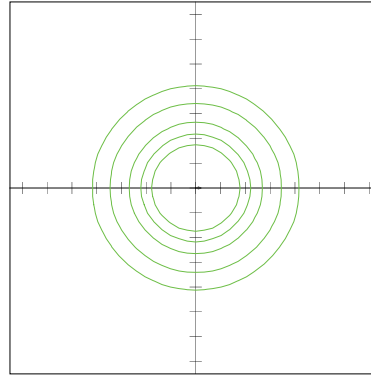
(Typical performance @ 5000K)



ZONAL LUMEN SUMMARY			
ZONE	LUMENS	%LAMP	%FIXTURE
0-20	371.75	6.30	6.30
0-30	865.49	14.80	14.80
0-40	1555.14	26.60	26.60
0-60	3310.36	56.50	56.50
0-80	5126.04	87.50	87.50
0-90	5385.34	91.90	91.90
10-90	5295.49	90.40	90.40
20-40	1183.39	20.20	20.20
20-50	2011.93	34.40	34.40
40-70	2773.3	47.40	47.40
60-80	1815.69	31.00	31.00
70-80	797.60	13.60	13.60
80-90	259.29	4.40	4.40
90-110	173.81	3.00	3.00
90-120	305.14	5.20	5.20
90-130	410.75	7.00	7.00
90-150	467.28	8.00	8.00
90-180	471.57	8.10	8.10
110-180	297.76	5.10	5.10
0-180	5856.91	100.00	100.00

DTD/84W/750/UD/PC

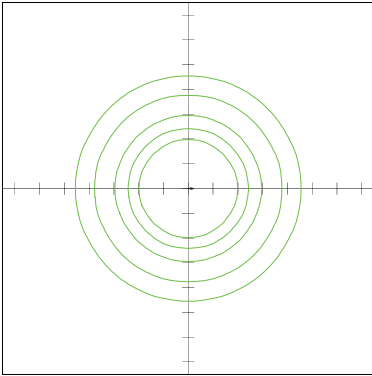
(Typical performance @ 5000K)



ZONAL LUMEN SUMMARY			
ZONE	LUMENS	%LAMP	%FIXTURE
0-20	1320.69	12.30	12.30
0-30	2798.01	26.00	26.00
0-40	4566.56	42.50	42.50
0-60	8123.4	75.50	75.50
0-80	10379.11	96.50	96.50
0-90	10753.93	100.00	100.00
10-90	10411.98	96.80	96.80
20-40	3245.87	30.20	30.20
20-50	5094.44	47.40	47.40
40-70	4920.92	45.80	45.80
60-80	2255.71	21.00	21.00
70-80	891.62	8.30	8.30
80-90	374.82	3.50	3.50
90-110	0.00	0.00	0.00
90-120	0.00	0.00	0.00
90-130	0.00	0.00	0.00
90-150	0.00	0.00	0.00
90-180	0.00	0.00	0.00
110-180	0.00	0.00	0.00
0-180	10753.93	100.00	100.00

DTD/125W/750/UD/PC

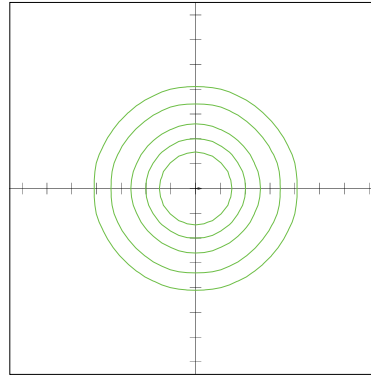
(Typical performance @ 5000K)



ZONAL LUMEN SUMMARY			
ZONE	LUMENS	%LAMP	%FIXTURE
0-20	2002.7	12.60	12.60
0-30	4241.02	26.70	26.70
0-40	6905.66	43.40	43.40
0-60	12151.96	76.40	76.40
0-80	15399.77	96.80	96.80
0-90	15910.31	100.00	100.00
10-90	15392.02	96.70	96.70
20-40	4902.96	30.80	30.80
20-50	7646.31	48.10	48.10
40-70	7225.62	45.40	45.40
60-80	3247.81	20.40	20.40
70-80	1268.49	8.00	8.00
80-90	510.54	3.20	3.20
90-110	0.00	0.00	0.00
90-120	0.00	0.00	0.00
90-130	0.00	0.00	0.00
90-150	0.00	0.00	0.00
90-180	0.00	0.00	0.00
110-180	0.00	0.00	0.00
0-180	15910.31	100.00	100.00

DTD/45W/7FCCT/UD/PC

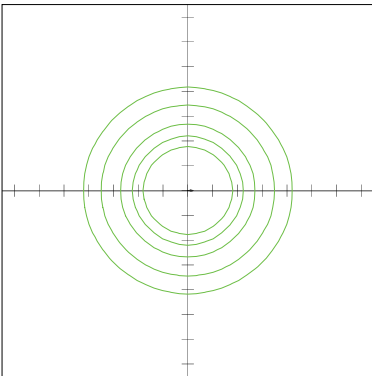
(Typical performance @ 4000K)



ZONAL LUMEN SUMMARY			
ZONE	LUMENS	%LAMP	%FIXTURE
0-20	396.49	6.30	6.30
0-30	923.12	14.80	14.80
0-40	1658.75	26.60	26.60
0-60	3530.96	56.50	56.50
0-80	5467.41	87.50	87.50
0-90	5744.02	92.00	92.00
10-90	5648.2	90.40	90.40
20-40	1262.26	20.20	20.20
20-50	2146.03	34.40	34.40
40-70	2958.1	47.40	47.40
60-80	1936.45	31.00	31.00
70-80	850.56	13.60	13.60
80-90	276.61	4.40	4.40
90-110	185.30	3.00	3.00
90-120	325.39	5.20	5.20
90-130	438.05	7.00	7.00
90-150	498.30	8.00	8.00
90-180	502.86	8.00	8.00
110-180	317.56	5.10	5.10
0-180	6246.88	100.00	100.00

DTD/80W/7FCCT/UD/PC

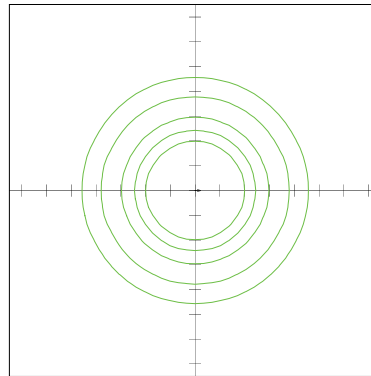
(Typical performance @ 4000K)



ZONAL LUMEN SUMMARY			
ZONE	LUMENS	%LAMP	%FIXTURE
0-20	1367.73	12.30	12.30
0-30	2897.6	26.00	26.00
0-40	4729.13	42.50	42.50
0-60	8412.6	75.50	75.50
0-80	10748.75	96.50	96.50
0-90	11137.01	100.00	100.00
10-90	10782.86	96.80	96.80
20-40	3361.4	30.20	30.20
20-50	5275.82	47.40	47.40
40-70	5096.27	45.80	45.80
60-80	2336.15	21.00	21.00
70-80	923.35	8.30	8.30
80-90	388.26	3.50	3.50
90-110	0.00	0.00	0.00
90-120	0.00	0.00	0.00
90-130	0.00	0.00	0.00
90-150	0.00	0.00	0.00
90-180	0.00	0.00	0.00
110-180	0.00	0.00	0.00
0-180	11137.01	100.00	100.00

DTD/120W/7FCCT/UD/PC

(Typical performance @ 4000K)



ZONAL LUMEN SUMMARY			
ZONE	LUMENS	%LAMP	%FIXTURE
0-20	2026.88	12.60	12.60
0-30	4292.27	26.70	26.70
0-40	6989.04	43.40	43.40
0-60	12298.64	76.40	76.40
0-80	15585.72	96.80	96.80
0-90	16102.4	100.00	100.00
10-90	15577.86	96.70	96.70
20-40	4962.16	30.80	30.80
20-50	7738.62	48.10	48.10
40-70	7312.82	45.40	45.40
60-80	3287.08	20.40	20.40
70-80	1283.86	8.00	8.00
80-90	516.68	3.20	3.20
90-110	0.00	0.00	0.00
90-120	0.00	0.00	0.00
90-130	0.00	0.00	0.00
90-150	0.00	0.00	0.00
90-180	0.00	0.00	0.00
110-180	0.00	0.00	0.00
0-180	16102.4	100.00	100.00