



LLH LINEAR HIGH BAY

FEATURES

- 135 lm/W ultra-high efficiency delivers superior performance over fluorescent and HID, saving up to 60% of energy costs
- Universal 0-10V driver for continuous dimming
- 10 ft. Y-toggle aircraft cable mounting hardware included
- Factory and field install control options available
- Classic single lens look

CERTIFICATIONS

- UL Certified for US & Canada
- RoHS Compliant
- DesignLights Consortium® Premium Qualified - meets the requirements for the highest DLC qualification for efficacy and lumen maintenance

PERFORMANCE

- High Efficacy, up to 135 lm/W
- Available in fixed wattage models: 65W, 110W, 162W, 223W, 265W, 321W or 425W
- Available in single CCT models: 4000K or 5000K
- CRI: >80
- Estimated lifetime L80: >54,000 hours @ 45°C, L90: >36,000 hours @ 45°C

ELECTRICAL

- Input voltage: 120-277V
- 0-10V dimming to <10% with dim-to-off capability
- Power Factor: >.9
- THD: <20%
- Auxiliary Power: 12VDC, 100mA

THERMAL

- -22°F to 122°F (-30°C to 50°C) ambient operating temperature
- Ambient operating temperature with sensor (see selected sensor datasheet)
- 32°F to 122°F (0°C to 50°C) ambient operating temperature with battery

CONSTRUCTION

- Heavy gauge steel body with welded frame construction resists twisting and bowing
- Diffuse frosted acrylic lens to control glare (standard) or optional clear lens for higher light output (sold separately)
- 10 ft. Y-toggle aircraft cable mounting hardware included
- Built-in 2.5kV surge protection

WARRANTY

- 5 Year limited warranty available [online](#). Contact your EiKO sales rep for additional details.

| | |
|----------------|---------|
| project name | type |
| catalog number | voltage |
| approved by | date |



APPLICATIONS

- Warehouses
- Manufacturing Plants
- Distribution Centers
- Grocery Stores
- Gymsnasiums
- Indoor Recreational Facilities
- Cold Storage
- Big Box Retail
- Service Repair Centers

KEY FEATURES

SINGLE LENS DESIGN

Classic look that matches existing applications.

FIELD INSTALLED CONTROLS

Add a stand-alone or network lighting control solution by using the knockout located on either side of the fixture.

MULTIPLE ACCESSORIES

10 ft. Y-toggle aircraft cable mounting hardware included. (Add more accessories)

ADD A STAND-ALONE OR NETWORK LIGHTING CONTROL SOLUTION BY UTILIZING THE KNOCKOUT VIA FACTORY MODIFICATION OR FIELD INSTALLATION.



FIELD INSTALLED CONTROLS (SOLD SEPERATLEY) HARDWIRED

SINGLE LENS DESIGN PROVIDES LOW GLARE AND EVEN LIGHT OUTPUT



AVAILABLE MODELS

| ORDER | ORDER CODE | ITEM # | SIZE | WATTS | CCT | LUMENS | EFFICACY (lm/W) | DIMMING | VOLTAGE | LENS | REPLACES | DLC |
|-------|------------|-------------------|------|-------|-------|-----------|-----------------|---------|----------|---------|--------------------|-----------|
| | | | | | | | | | | | | PREMIUM |
| | 11340 | LLH-06DX-40K-U | 2' | 65W | 4000K | 8800 lm | 135 lm/W | 0-10V | 120-277V | Frosted | HBF 6x T8/4x T5 | S-J2BDQC |
| | 11341 | LLH-06DX-50K-U | 2' | 65W | 5000K | 8800 lm | 135 lm/W | 0-10V | 120-277V | Frosted | HBF 6x T8/4x T5 | S-SLH667 |
| | 11342 | LLH-1DX-40K-U | 2' | 110W | 4000K | 14,950 lm | 135 lm/W | 0-10V | 120-277V | Frosted | HBF 6x T8/4x T5 | S-NFY9QP |
| | 11343 | LLH-1DX-50K-U | 2' | 110W | 5000K | 14,950 lm | 135 lm/W | 0-10V | 120-277V | Frosted | HBF 6x T8/4x T5 | S-NM4PPG |
| | 12024 | LLH-1DX-50K-U-Z10 | 2' | 110W | 5000K | 14,950 lm | 135 lm/W | 0-10V | 120-277V | Frosted | HBF 6x T8/4x T5 | S-NM4PPG |
| | 11344 | LLH-2DX-40K-U | 2' | 162W | 4000K | 21,850 lm | 135 lm/W | 0-10V | 120-277V | Frosted | HBF 8x T8/6x T5 HO | S-T0TVP8 |
| | 11345 | LLH-2DX-50K-U | 2' | 162W | 5000K | 21,850 lm | 135 lm/W | 0-10V | 120-277V | Frosted | HBF 8x T8/6x T5 HO | S-2LLM9F |
| | 11346 | LLH-3DX-40K-U | 2' | 223W | 4000K | 30,300 lm | 135 lm/W | 0-10V | 120-277V | Frosted | 8x T5 HO | S-M86N5L |
| | 12069 | LLH-3DX-40K-U-Z10 | 2' | 223W | 4000K | 30,300 lm | 135 lm/W | 0-10V | 120-277V | Frosted | 8x T5 HO | S-M86N5L |
| | 11347 | LLH-3DX-50K-U | 2' | 223W | 5000K | 30,300 lm | 135 lm/W | 0-10V | 120-277V | Frosted | 8x T5 HO | S-HYS9S9V |
| | 11348 | LLH-4DX-40K-U | 4' | 265W | 4000K | 36,000 lm | 135 lm/W | 0-10V | 120-277V | Frosted | 10x T5 HO | S-KF3B4G |
| | 11349 | LLH-4DX-50K-U | 4' | 265W | 5000K | 36,000 lm | 135 lm/W | 0-10V | 120-277V | Frosted | 10x T5 HO | S-1R12SL |
| | 11350 | LLH-5DX-40K-U | 4' | 321W | 4000K | 43,650 lm | 135 lm/W | 0-10V | 120-277V | Frosted | 1000W HID | S-DPJKYB |
| | 11351 | LLH-5DX-50K-U | 4' | 321W | 5000K | 43,650 lm | 135 lm/W | 0-10V | 120-277V | Frosted | 1000W HID | S-DG0YBW |
| | 11352 | LLH-7DX-40K-U | 4' | 425W | 4000K | 57,800 lm | 135 lm/W | 0-10V | 120-277V | Frosted | 1000W HID | S-PFRLJ8 |
| | 11353 | LLH-7DX-50K-U | 4' | 425W | 5000K | 57,800 lm | 135 lm/W | 0-10V | 120-277V | Frosted | 1000W HID | S-SDBK9P |

FACTORY INSTALLED OPTIONS

| CUSTOM CORD LENGTH | CORD END | ADDITIONAL SURGE PROTECTION | BATTERY BACKUP |
|---|---|---|--|
| <p>[Blank] : Default, no length*</p> <p>W1xx: 300V 18/3 white cord</p> <p>W2xx: 600V 18/3 white cord</p> <p>W3xx: 600V 18/6 white cord with dimming wires and a 24/7 hot wire for battery backup (Cord end option is not available)</p> <p>Custom length required (in feet)</p> | <p>[Blank] : Default, no cord end</p> <p>N01 : 125V 15A straight plug</p> <p>N02 : 250V 15A straight plug</p> <p>N04 : 125V 15A locking plug</p> <p>N05 : 250V 15A locking plug</p> <p>N06 : 277V 15A locking plug</p> <p>N07 : 125V 20A straight plug</p> <p>N08 : 250V 20A straight plug</p> <p>N09 : 277V 20A straight plug</p> <p>N10 : 125V 20A locking plug</p> <p>N11 : 250V 20A locking plug</p> <p>N12 : 277V 20A locking plug</p> <p>N13 : 347V 20A locking plug</p> <p>N14 : 480V 20A locking plug</p> | <p>[Blank] : Default, no additional protection</p> <p>SP1 : 10kV surge protection</p> <p>SP2 : 20kV surge protection</p> | <p>[Blank] : Default, no additional protection</p> <p>EB18* : 18W External Backup battery, 100-347V</p> <p>EB40* : 40W External Backup battery, 100-347V</p> <p>EB30 : 30W External Backup battery, 100-277V</p> |

MODEL CONFIGURATOR




FACTORY INSTALLED OPTIONS

| MODEL | - | SIZE | - | CCT | - | VOLTAGE | - | CORD LENGTH | - | CORD END | - | SURGE PROTECTION | - | BATTERY BACKUP |
|-------|---|------|---|-----|---|---------|---|-------------|---|----------|---|------------------|---|----------------|
| LLH | - | | - | | - | U | - | | - | | - | | - | |



EXAMPLE PART NUMBER: LLH-7DX-40K-U-W130-N01-SP2-EB30

REFER TO FOLLOWING SECTIONS FOR DETAILS ON FACTORY INSTALLED OPTIONS & AVAILABLE FIELD INSTALLED OPTIONS

ACCESSORIES

| ORDER | ORDER CODE | ITEM # | DESCRIPTION | MODEL CROSS REFERENCE | | | | | | | | | | |
|-------|-------------------------|--------|---|-----------------------|-----|-----|-----|-----|-----|-----|-----|-----|---|---|
| | | | | 06DX | 1DX | 2DX | 3DX | 4DX | 5DX | 7DX | "U" | "V" | | |
| 09226 | LLH-CHAIN | | Mounting Chain for LLH, 1.05 meters (1 pair)  | ✓ | ✓ | ✓ | ✓ | ✓ | ✓ | ✓ | ✓ | ✓ | ✓ | ✓ |
| 09336 | LLH-CL-2x1 | | Clear Lens for LLH-06D, 1D & 2D- 40K/50K-U --- | ✓ | ✓ | ✓ | ✗ | ✗ | ✗ | ✗ | ✓ | ✓ | ✓ | ✓ |
| 09337 | LLH-CL-2x1.5 | | Clear Lens for LLH-3D-40K/50K-U --- | ✗ | ✗ | ✗ | ✓ | ✗ | ✗ | ✗ | ✓ | ✓ | ✓ | ✓ |
| 09339 | LLH-FL-2x1 | | Frosted Lens for LLH-06D, 1D & 2D-40K/50K-U --- | ✓ | ✓ | ✓ | ✗ | ✗ | ✗ | ✗ | ✓ | ✓ | ✓ | ✓ |
| 09341 | LLH-FL-4x1 | | Frosted Lens for LLH-4D & 5D-40K/50K-U --- | ✗ | ✗ | ✗ | ✗ | ✓ | ✓ | ✗ | ✓ | ✓ | ✓ | ✓ |
| 09701 | LLH-FL-4x1.5 | | Frosted Lens for LLH-7D-40K/50K-U --- | ✗ | ✗ | ✗ | ✗ | ✗ | ✗ | ✓ | ✓ | ✓ | ✓ | ✓ |
| 09227 | LLH-PENDANT BOX | | Pendant Box for 120/277V LLH, 1/2" Nominal Pipe Diameter  | ✓ | ✓ | ✓ | ✓ | ✓ | ✓ | ✓ | ✓ | ✓ | ✗ | ✗ |
| 09906 | LLH-PENDANT BOX-347/480 | | Pendant Box for 347/480V LLH, 1/2" Nominal Pipe Diameter  | ✓ | ✓ | ✓ | ✓ | ✓ | ✓ | ✓ | ✓ | ✗ | ✓ | ✓ |

ACCESSORIES CONT'D

| ORDER | ORDER CODE | ITEM # | DESCRIPTION | MODEL CROSS REFERENCE | | | | | | | | | |
|-------|------------|----------------|--|-----------------------|-----|-----|-----|-----|-----|-----|-----|-----|---|
| | | | | 06DX | 1DX | 2DX | 3DX | 4DX | 5DX | 7DX | "U" | "V" | |
| | 12391 | LLHE-SMK-1 | Surface Mount Kit, 12.6" | --- | ✓ | ✓ | ✓ | X | ✓ | ✓ | X | ✓ | ✓ |
| | 09819 | LLH-SMK-2 | Surface Mount Kit, 17.3" | --- | X | X | X | ✓ | X | X | ✓ | ✓ | ✓ |
| | 09230 | LLH-V HOOK-1 | V-Hook for LLH-06D, 1D, 2D, 4D & 5D-40K/50K-U  | | ✓ | ✓ | ✓ | X | ✓ | ✓ | X | ✓ | ✓ |
| | 09229 | LLH-V HOOK-1.5 | V-Hook for LLH-3D & 7D-40K/50K-U  | | X | X | X | ✓ | X | X | ✓ | ✓ | ✓ |
| | 09222 | LLH-WG-2x1 | Wireguard for LLH-06D,1D & 2D-40K/50K-U | --- | ✓ | ✓ | ✓ | X | X | X | X | ✓ | ✓ |
| | 09223 | LLH-WG-2x1.5 | Wireguard for LLH-3D-40K/50K-U | --- | X | X | X | ✓ | X | X | X | ✓ | ✓ |
| | 09224 | LLH-WG-4x1 | Wireguard for LLH-4D & 5D-40K/50K-U | --- | X | X | X | X | ✓ | ✓ | X | ✓ | ✓ |
| | 09702 | LLH-WG-4x1.5 | Wire Guard for LLH-7D-40K/50K-U | --- | X | X | X | X | X | X | ✓ | ✓ | ✓ |
| | 11243 | LLH-SMSA-KO | Side Mounted Sensor Adapter for KO Sensors (for LLH-D series) | --- | ✓ | ✓ | ✓ | ✓ | ✓ | ✓ | ✓ | ✓ | ✓ |

BATTERY BACKUPS

| ORDER | ORDER CODE | ITEM # | DESCRIPTION | FACTORY INSTALLED CODE |
|-------|------------|----------------|---|------------------------|
| | 11675 | EEBE18WHA170S* | EiKO Emergency Battery External 18W 100-347V 170VDC Single Flex-Conduit CEC Compliant. Factory or field install. See spec sheet for full details. Note: Suitable ONLY for 100-347V 90W & 130W fixtures. | EB18 |
| | 13574 | EEBE40WHA170S* | EiKO Emergency Battery External 40W 100-347VAC 170VDC Linear Single Flex-Conduit CEC Compliant. Factory or field install. See spec sheet for full details. Note: Suitable ONLY for 100-347V; 320W or less fixtures. | EB40 |
| | 10920 | EEBE30WUA050S* | EiKO Emergency Battery External 30W 120-277VAC 25-50VDC CEC Compliant | EB30 |

*** WARNING:** When using these AC version battery backups with any control solution, internal rewiring is required according to the installation sheet's wiring diagram. Failure to do so may result in a violation of safety codes.

CONTROLS & SENSORS: FIELD INSTALLED

| ORDER | ORDER CODE | ITEM # | DESCRIPTION |
|----------------------------|------------|----------------|---|
| STANDALONE CONTROLS | | | |
| PIR SENSORS | | | |
| | 800654 | MS2-OPD-3 | Stand-alone PIR Motion Sensor, 120-347V, 1/2" knock-out, On/Off, Ambient Threshold, 40ft, Parameters set by dip switch. |
| | 800655 | MS2-DPX-3 | Stand-alone PIR Motion Sensor, 120-347V, 1/2" knock-out, 0-10V, Ambient Threshold, 40ft, Parameters set by dip switch, RC-100 or SENA-ACT. |
| | 10220 | SEN-3B-KO | Stand-alone PIR Motion Sensor, 120-277V, IP66, 1/2" knock-out, 0-10V, Ambient Threshold, 30ft, Parameters set by SEN-3-RC. |
| | 10476 | SEN-3AA-KO | Stand-alone PIR Motion Sensor, 120-277V, 1/2" knock-out, On/Off, Ambient Threshold, 30ft, Parameters set by dip switch. |
| | 13861 | SENA5A-SPPR-WH | Stand-alone PIR Motion Sensor, 12-24V, Screw-in, 0-10V, Daylight Harvesting, 8-40ft, White, IP65, Parameters set by SENA5A-ACT. Note: Swivel mount adapter required: SENA-AP-WH |
| | 13342 | SENA5A-SZPR-WH | Stand-alone PIR Motion Sensor, 12-24V, Z10, 0-10V, Daylight Harvesting, 40ft, White, Parameters set by SENA5A-ACT Note: Swivel mount adapter required: SENA-AZ-WH. |
| MICROWAVE SENSORS* | | | |
| | 313895 | MS1-DHR-KO-1 | Stand-alone Microwave Motion Sensor, 120-277V, IP65, 1/2" knock-out, 0-10V, Ambient Threshold, 48ft, Parameters set by RC01. |
| | 12150 | SEN/M/S1C/KO | Stand-alone Microwave Motion Sensor, 120-277V, IP65 1/2" knock-out, 0-10V, Ambient Threshold, Parameters set by SEN-S1-RC3. |
| | 13341 | SENA5A-SZMR-WH | Stand-alone Microwave Motion Sensor, 12-24V, Z10, 0-10V, Daylight Harvesting, 8-40ft, White, IP65, Parameters set by SENA5A-ACT Note: Swivel mount adapter required: SENA-AZ-WH. |
| | 13859 | SENA5A-SPMR-WH | Stand-alone Microwave Motion Sensor, 12-24V, Screw-in, 0-10V, Daylight Harvesting, 8-40ft, White, IP65, Parameters set by SENA5A-ACT. Note: Swivel mount adapter required: SENA-AP-WH |

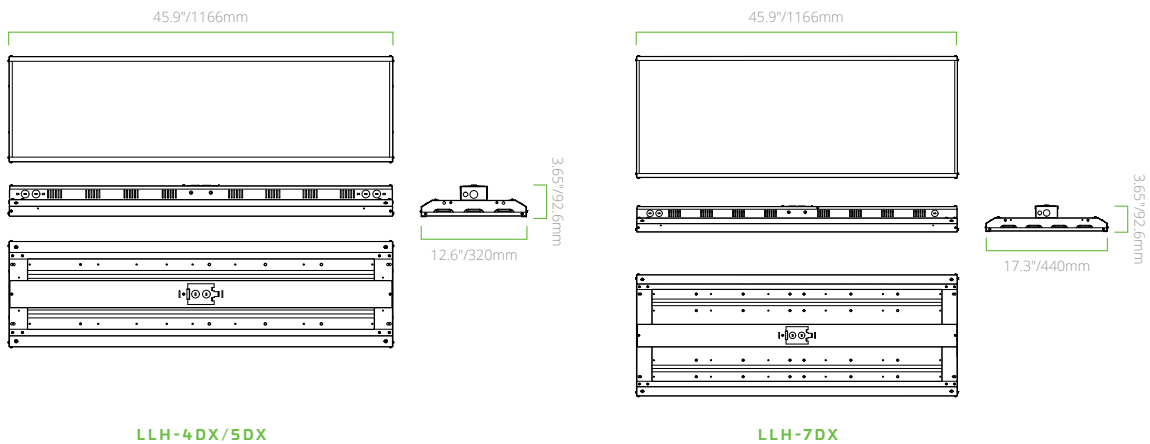
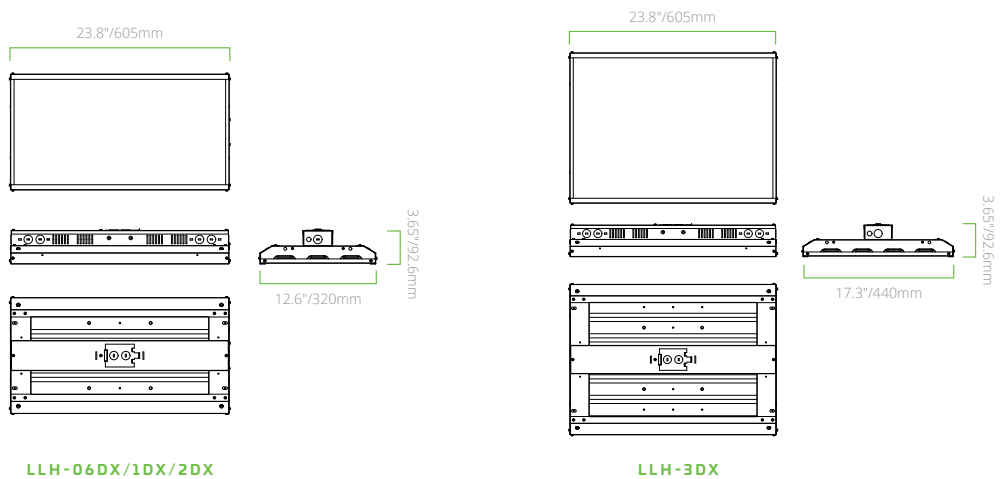
* Microwave sensors must be installed on stable and immovable fixtures to avoid false activation from swinging.

| REMOTES FOR COMMISSIONING STANDALONE CONTROLS | | | |
|--|--------|------------|--|
| | 13344 | SENA5A-ACT | Commissioning Tool for SENA5A, BAY-E-SEN/PIR, BAY-E-SEN/M, and MS2-DPX-3 (Backward compatible with SENA5A/CT and RC-100) |
| | 10226 | SEN-3-RC | Commissioning Tool for SEN-3B-KO and SEN-3C-KO |
| | 313897 | RC01 | Commissioning Tool for MS1-DHR-SA-4, MS1-DHR-KO-1, MS1-DHR-KO-4 |
| | 10917 | SEN-S1-RC3 | Compatible with SEN/M/S1C/KO |

CONTROLS & SENSORS: FIELD INSTALLED CONT'D

| ORDER | ORDER CODE | ITEM # | DESCRIPTION |
|--|------------|------------------------|--|
| NETWORKED LIGHTING CONTROLS (NLC) | | | |
| SENSOR AND CONTROLLER | | | |
| | 13246 | SENA-WZPA-WH | BLE PIR Motion sensor, 12-24V, IP65, Z10, 0-10V, Daylight Harvesting, 40ft, Parameters set by Silvair App. Note: Swivel mount adapter required: SENA-AZ-WH |
| | 12643 | PSC-ZKV-WCM-100-BLE-SR | BLE TruBle wireless fixture Controller, 12-24V, Z10, 0-10V, Parameters set by Silvair App. Note: Swivel mount adapter required: SENA-AZ-WH |
| WALL OR WIRELESS CONTROLLERS | | | |
| | 12654 | ESRPB-W-EO | BLE Easyfit by EnOcean wireless self-powered kinetic Single rocker pad, white, wall plate included. |
| | 12655 | EDRPB-W-EO | BLE Easyfit by EnOcean wireless self-powered kinetic Double rocker pad, white, wall plate included. |
| | 12635 | PSC-DM-WS-100-BLE-SR | BLE TruBlu 120-277V, Single Gang Single Button Wall Controller, White, Parameters set by Silvair App. |
| | 12636 | PSC-DM-I-WS-100-BLE-SR | BLE TruBlu PIR Occupancy/ Vacancy Sensor, 120-277V, Single Gang Wall Controller, White, Parameters set by Silvair App. |
| | 12637 | PSC-DM-WS-400-BLE-SR | BLE TruBlu 4-Button Wall Controller, 120-277V, Single Gang, White, Parameters set by Silvair App. |
| ADAPTERS & ACCESSORIES | | | |
| | 13343 | SENA-AZ-WH | Z10 IP65 White Stem Swivel Mount bracket, 12-24VDC Max. 22AWG 2ft V+(1:Yellow) Dim-(2:Pink) Dim+(3:Purple) Optional(4:Brown) |
| | 14431 | SENA-AP-WH | Screw-In IP65 White Stem Swivel Mounting bracket, 12-24VDC Max. 22AWG 2ft V+(1:Yellow) Dim-(2:Pink) Dim+(3:Purple) |
| | 12994 | PSC-RET-100-BLE-SR | BLE TruBlu Range Extender, 120-277V, 800ft, Nema 4X Outdoor Enclosure |
| | 12993 | PSC-TKP-200-BLE-SR | BLE TruBlu Battery Backup Timekeeper and Range Extender, 120V, 800ft, Nema 4X Outdoor Enclosure |
| | 13234 | SGW-101 | BLE Silvair Gateway SGW-101 Manufactured by Rigado (model: Cascade-500). 5-year from Silvair warranty and tech support. |

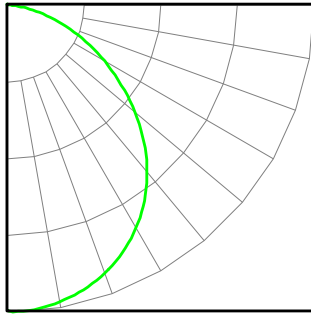
PRODUCT DIMENSIONS



PHOTOMETRICS

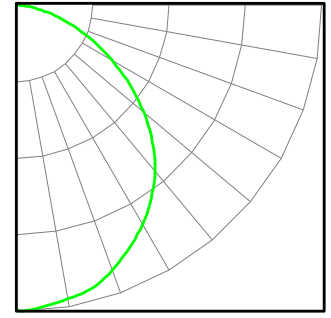
LLH-06DX-xxK-U

| ZONAL LUMEN SUMMARY | | |
|---------------------|---------|----------|
| ZONE | LUMENS | %FIXTURE |
| 0-30 | 2585.29 | 29.8% |
| 0-40 | 4203.82 | 48.5% |
| 0-60 | 7158.26 | 82.6% |
| 0-80 | 8535.37 | 98.5% |
| 0-90 | 8637.16 | 99.7% |
| 60-80 | 1377.11 | 15.9% |
| 70-80 | 458.35 | 5.3% |
| 80-90 | 101.78 | 1.2% |
| 0-180 | 8666.25 | 100% |



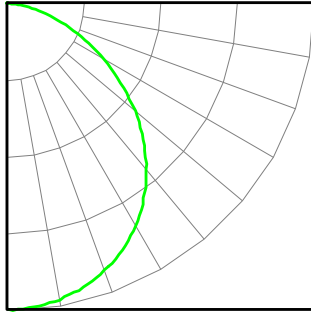
LLH-1DX-xxK-U

| ZONAL LUMEN SUMMARY | | |
|---------------------|----------|----------|
| ZONE | LUMENS | %FIXTURE |
| 0-30 | 4283.36 | 29.3% |
| 0-40 | 6975.94 | 47.8% |
| 0-60 | 11970.4 | 82.0% |
| 0-80 | 14348.38 | 98.3% |
| 0-90 | 14538.11 | 99.6% |
| 60-80 | 2377.98 | 16.3% |
| 70-80 | 806.61 | 5.5% |
| 80-90 | 189.73 | 1.3% |
| 0-180 | 14601.15 | 100% |



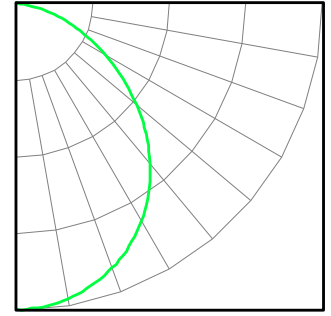
LLH-2DX-xxK-U

| ZONAL LUMEN SUMMARY | | |
|---------------------|----------|----------|
| ZONE | LUMENS | %FIXTURE |
| 0-30 | 6231.83 | 29.7% |
| 0-40 | 10154.29 | 48.3% |
| 0-60 | 17328.75 | 82.5% |
| 0-80 | 20686.54 | 98.4% |
| 0-90 | 20950.58 | 99.7% |
| 60-80 | 3357.78 | 16.0% |
| 70-80 | 1123.45 | 5.3% |
| 80-90 | 264.04 | 1.3% |
| 0-180 | 21013.38 | 100% |



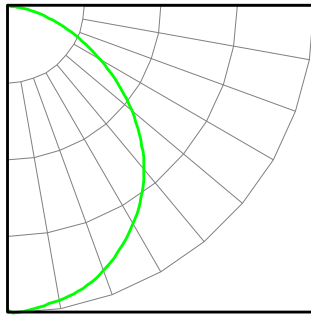
LLH-3DX-xxK-U

| ZONAL LUMEN SUMMARY | | |
|---------------------|----------|----------|
| ZONE | LUMENS | %FIXTURE |
| 0-30 | 8729.89 | 29.7% |
| 0-40 | 14176.79 | 48.3% |
| 0-60 | 24098.56 | 82.1% |
| 0-80 | 28865.1 | 98.3% |
| 0-90 | 29242.87 | 99.6% |
| 60-80 | 4766.54 | 16.2% |
| 70-80 | 1622.66 | 5.5% |
| 80-90 | 377.78 | 1.3% |
| 0-180 | 29353.39 | 100% |



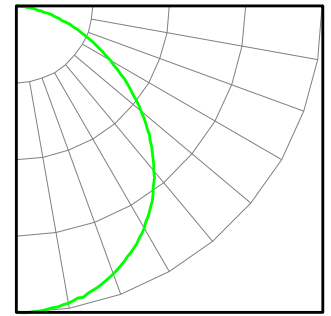
LLH-4DX-xxK-U

| ZONAL LUMEN SUMMARY | | |
|---------------------|----------|----------|
| ZONE | LUMENS | %FIXTURE |
| 0-30 | 10647.26 | 29.5% |
| 0-40 | 17319.89 | 48.0% |
| 0-60 | 29630.68 | 82.1% |
| 0-80 | 35513.12 | 98.4% |
| 0-90 | 35981.54 | 99.7% |
| 60-80 | 5882.44 | 16.3% |
| 70-80 | 2001.7 | 5.5% |
| 80-90 | 468.42 | 1.3% |
| 0-180 | 36106.27 | 100% |



LLH-5DX-xxK-U

| ZONAL LUMEN SUMMARY | | |
|---------------------|----------|----------|
| ZONE | LUMENS | %FIXTURE |
| 0-30 | 12521.07 | 29.9% |
| 0-40 | 20331.76 | 48.6% |
| 0-60 | 34537.26 | 82.5% |
| 0-80 | 41230.07 | 98.5% |
| 0-90 | 41723.97 | 99.7% |
| 60-80 | 6692.8 | 16.0% |
| 70-80 | 2247.91 | 5.4% |
| 80-90 | 493.90 | 1.2% |
| 0-180 | 41841.74 | 100% |



LLH-7DX-xxK-U

| ZONAL LUMEN SUMMARY | | |
|---------------------|----------|----------|
| ZONE | LUMENS | %FIXTURE |
| 0-30 | 17144.64 | 29.2% |
| 0-40 | 28005.92 | 47.7% |
| 0-60 | 48180.53 | 82.1% |
| 0-80 | 57754.55 | 98.4% |
| 0-90 | 58515.54 | 99.7% |
| 60-80 | 9574.02 | 16.3% |
| 70-80 | 3243.1 | 5.5% |
| 80-90 | 760.99 | 1.3% |
| 0-180 | 58714.3 | 100% |

