



## LED HID REPLACEMENT : UNIVERSAL

### DESCRIPTION

LED Universal HID Replacement Lamps feature an adjustable light array that can be positioned to function as a post top, shoebox light, highbay or area light, making them ideal alternatives to high-watt HID lamps in a variety of applications while consuming up to 80% less energy and delivering an impressive 150 lumens per watt.

### FEATURES

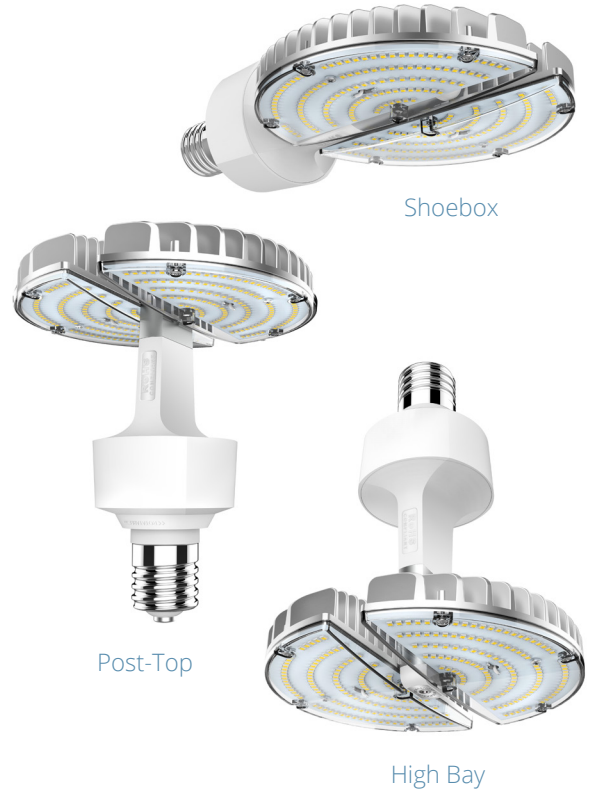
- Universal mounting position with adjustable light arrays for ultimate installation flexibility
- Lasts 3x longer than metal halide or HPS HID lamps
- Eliminates maintenance costs for over 10 years; no expensive HID lamps or ballasts to replace
- Shatter resistant for reduced risk of injury or breakage
- Integral driver; eliminates the need for external driver or ballast
- Built-in 4kV surge protection
- Plug-and-play external photocell or motion sensor available for additional lighting control; qualifies for DLC 5.1
- Environmentally friendly: contains no glass, mercury, or lead

### WARRANTY

- 5 year limited warranty; see [eiko.com](http://eiko.com) for warranty details

### APPLICATIONS

- Industrial
- Commercial
- Shoebox Fixtures
- High Bay
- Area Light
- Post-Tops
- Cobra Head



<b>PERFORMANCE</b>	Power Consumption	70W
	Lumens	10,500
	Efficacy (LPW)	150
	CRI	80+
	CCT	3000K, 4000K, 5000K
	Life (L70)	50,000 hours
<b>ELECTRICAL</b>	Power Factor	≥0.9
	Input Voltage	100-277VAC
<b>CONSTRUCTION</b>	Operating Temperature	-22°F - 113°F (-30°C - 45°C)
	Enclosed Temperature	-4°F to 104°F (-20°C to 40°C)
	Base	EX39
<b>LISTINGS</b>	Certification(s)	DesignLights Consortium® Qualified; cULus Classified
	Material Usage	RoHS Compliant; no mercury
	Environment	IP40 Rated

# PERFORMANCE SUMMARY

## MOGUL BASE (EX39):

Order Code	Item #	Nominal Lumens	Watts	LPW	CCT	CRI	Volts	Life/Hours	Replaces HID	DLC
10907	LED70WUPT/30KMOG-U	10,500	70W	150	3000K	80+	100-277VAC	50,000	150W MH or 150W HPS	
10908	LED70WUPT/40KMOG-U	10,500	70W	150	4000K	80+	100-277VAC	50,000	150W MH or 150W HPS	
10909	LED70WUPT/50KMOG-U	10,500	70W	150	5000K	80+	100-277VAC	50,000	150W MH or 150W HPS	

NOTE: Use order code when ordering. DesignLights Consortium® Qualified

## PLUG-IN SENSORS

Order Code	Item #	Description
10910	PT-SEN/PIR	LED HID Replacement Lamp Sensor PIR 3.5MM Plug W/PC
10911	PT-SEN/PC	LED HID Replacement Lamp Sensor PC 3.5MM Plug

NOTE: Use order code when ordering.

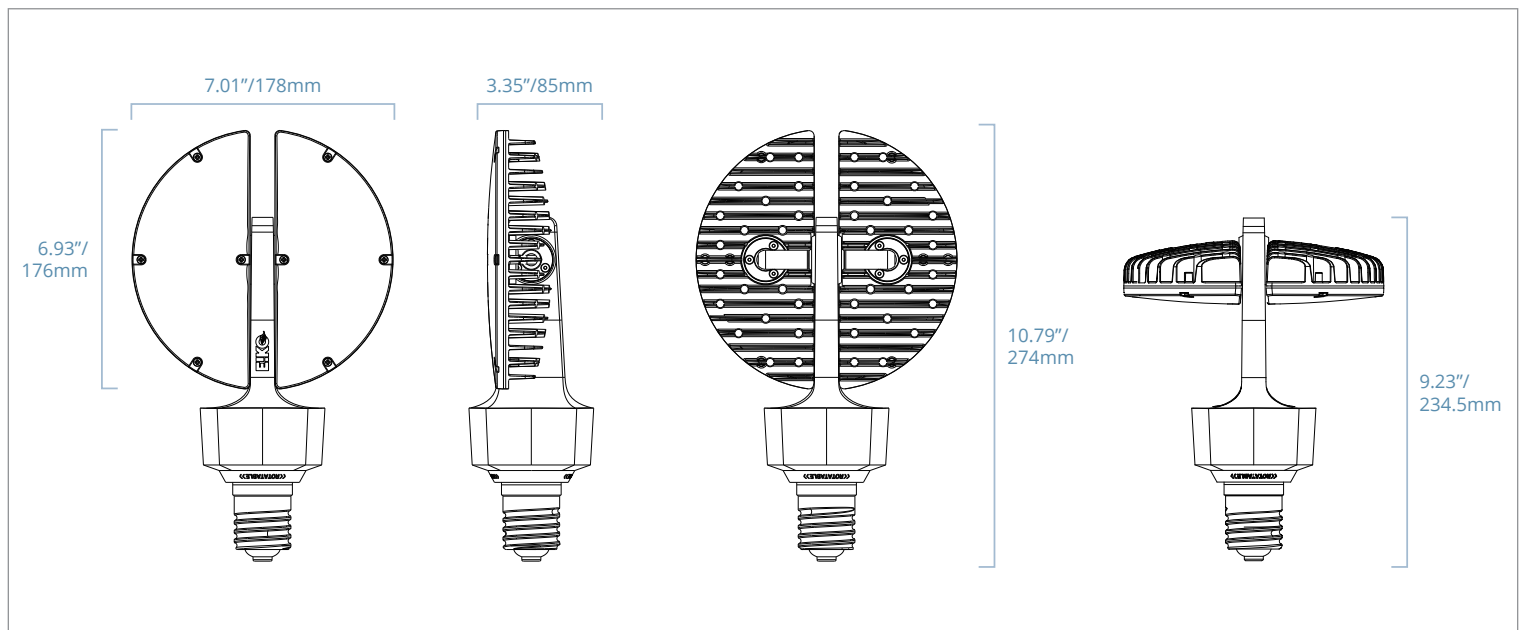


PIR Sensor

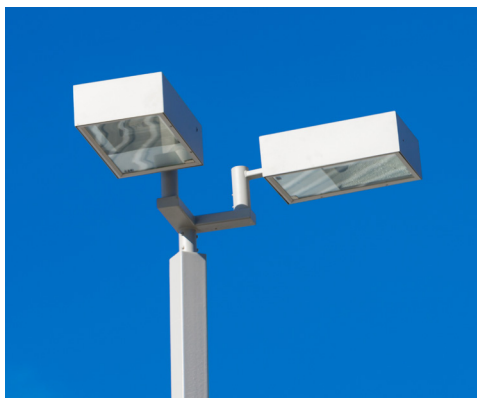


PC Sensor

## DIMENSIONS



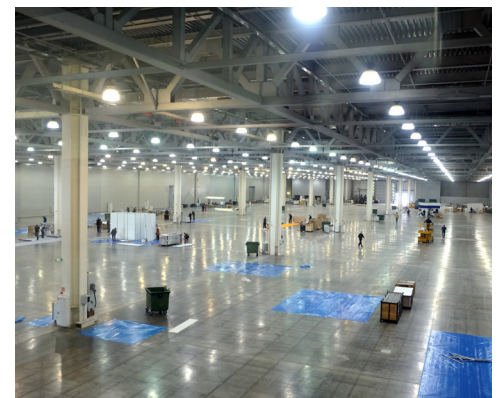
## APPLICATIONS



SHOEBOX



POST-TOP



HIGHBAY