

Project	
Date	
Prepared by	
Model #	PA-5ST-BK

LIGHT POLE ADAPTERS AND BRACKETS

TENON ADAPTER, FOR 5" SQUARE POLES

OVERVIEW

This steel tenon adapter converts the top of a 5" square pole into a 2 3/8" tenon with an internal fit inside the pole. This tenon adapter is available in a standard matte black finish, custom paint options are also available.



PRODUCT HIGHLIGHTS

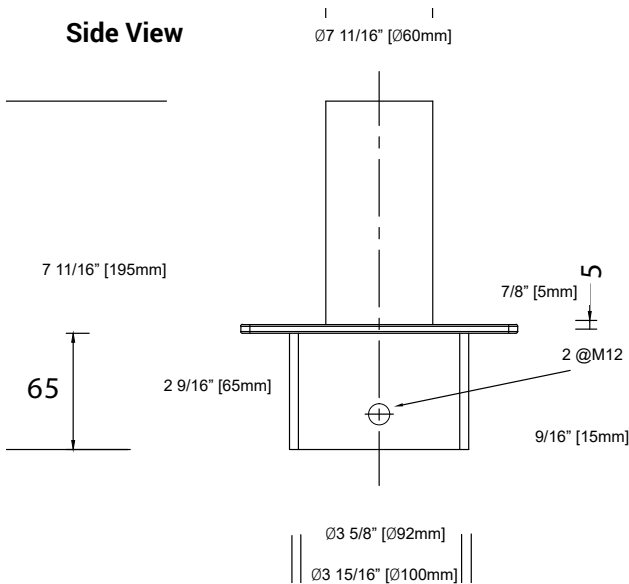
- 2 3/8" tenon
- Fits into 5" square pole
- Powder coated steel
- Custom paint options available

CONSTRUCTION

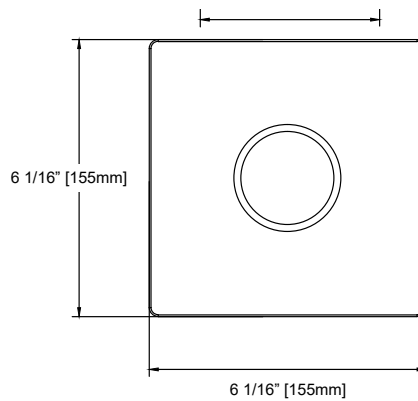
Housing Material	Powder coated steel	Weight (kg/lbs)	2.6 kg / 5.7 lbs
Housing Color	Matte black	Warranty	1 year
Dimensions (inch/mm)	L: 7 11/16" (195mm) W: 6 1/16" (155mm) H: 2 9/16" (65mm)	Installation Method	Pole mount
		EPA	0.10 ft ²
		Maximum Fixture EPA	3.8 ft ²

PRODUCT DIMENSIONS

Side View



Top View



Isometric Bottom View

