



Model #	
Type	
Project	
Date	

FL4-SERIES FLOOD & AREA LIGHT

The FL4-Series Flood Light represents our entry into specification grade exterior lighting. Finished in black, its sleek design and larger housing size provides an attractive look, especially when mounted on poles.

Offering a wide range of mounting options, lumen packages, IES beam distribution patterns, and integrated controls, they will allow you to achieve any design requirement.



HIGHLIGHTS

- Up to 137 lm/W
- 80+ CRI
- 0-10V & 1-10V dimming
- Die-cast aluminum
- Durable polycarbonate lens
- Low-profile and versatile light-weight design
- Designed to work in -40°C/-40°F environments
- Pre-installed 3 foot whip for easy installations
- Easily mounts to a wall, pole, tenon or flat surface
- Surge protection included
- Backed by our worry-free 5 year warranty



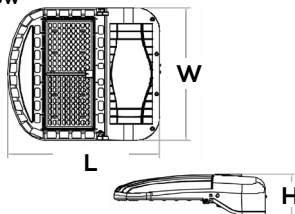
APPLICATIONS

Designed for building perimeters, walkways, landscapes and various other specification grade exterior lighting.

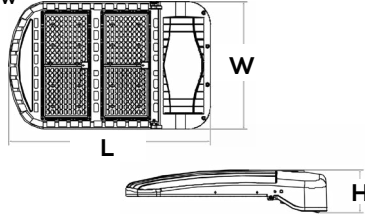
DIMENSIONS

VOLTAGE (V)	POWER (W)	L (inches/mm)	W (inches/mm)	H (inches/mm)	WEIGHT (kg/lbs)
120-277 / 277-480	80	15 5/16" (389 mm)	13 1/2" (342 mm)	4 5/16" (109 mm)	5.7 kg / 12.6 lbs
	100				5.8 kg / 12.8 lbs
	150				6.1 kg / 13.4 lbs
	200	21 3/8" (543 mm)	13 1/2" (342 mm)	4 1/2" (115 mm)	8.4 kg / 18.5 lbs
	240				8.6 kg / 19.0 lbs
	300				9.9 kg / 21.8 lbs
	450				11.2 kg / 24.5 lbs

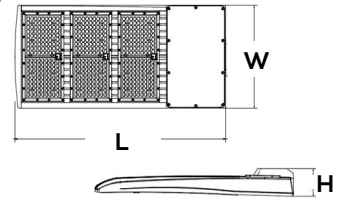
80-150W



200-300W



450W



ORDERING GUIDE

SERIES	-	POWER (W)	CCT	TYPE	-	VOLTAGE / DIMMING
FL4	-	80: 80W 100: 100W 150: 150W 200: 200W 240: 240W 310: 300W 450: 450W	4: 4000K	T5: NEMA Type V T4: NEMA Type IV T3: NEMA Type III	-	1*: 100-277V, 1-10V dimming 2: 277-480V, 0-10V dimming * If "Power" option is "310", dimming is 0-10V.

FACTORY-INSTALLED OPTIONS

MOTION SENSOR	PHOTOCELL SENSOR
Blank: Default, no sensor M6: Microwave motion sensor with cover, dimming, 120-277V (80W-300W models) M7: Microwave motion sensor with cover, dimming, 120-277V (450W models)	Blank: Default, no sensor P1: Stem Mount Swivel Photocell, 120V (PC1-TPT-1) P3: Stem Mount Swivel Photocell, 347V (ST347)

MODEL SELECTION

FACTORY-INSTALLED OPTIONS

SERIES	-	POWER (W)	CCT	TYPE	-	VOLTAGE	-	SENSOR	-	PHOTOCELL
FL4	-	80	4	T5	-	1	-	M6	-	P1

*Note: add factory-installed options in sequence listed

EXAMPLE: FL4-804T5-1-M6-P1

ACCESSORIES SELECTION

ORDER	MODEL #	DESCRIPTION
	FL-MA4	Mounting Arm (All Models)
	FL-SF4	Slip Fitter (All Models)
	FL-TR4	Trunnion Mount (All Models)
	FL-YK4	Yoke Mount (80W to 300W models)
	FL-YK4504	Yoke Mount (450W models)
	FL-SHIELD14	Glare Shield (80W to 150W models only)
	FL-SHIELD24	Glare Shield (200W to 300W models only)
	FL-SHIELD34	Glare Shield (450W models)
	PC1-TPT-1	Stem Mount Swivel Photocell, 120V
	ST347	Stem Mount Swivel Photocell, 347V

PRODUCT FEATURES

CONSTRUCTION

- Matte black die-cast aluminum
- 1/2" NPT threaded knockouts
- 1m / 3.3ft cord
- Polycarbonate lens

INSTALLATION

- Mount to a wall, round or square pole, 2" to 2 3/8" tenon or flat surface
- Glare shield (optional) can be mounted on the back or front side to reduce light spill. Two glare shields can be installed together in both front and back positions
- Optional light pole adapters and brackets are available

ELECTRICAL

- "-1" models designed to operate between 100-277V
- "-2" models designed to operate between 277-480V
- Power Factor >0.9
- THD <20%
- 1-10V dimming, dim to 10%
- 0-10V dimming, dim-to-off

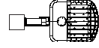
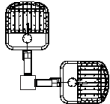
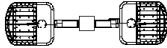
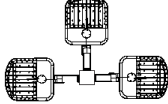
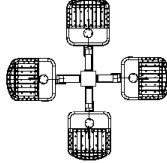
LISTINGS & RATINGS

- cETLus
- Wet location
- IP65 rated
- Listed for use in:
-40°C to 45°C (-40°F to 113°F)

RATED LIFE & WARRANTY

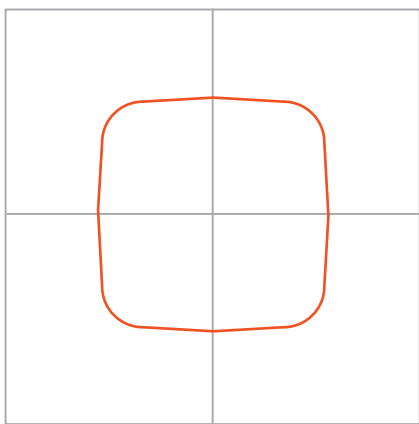
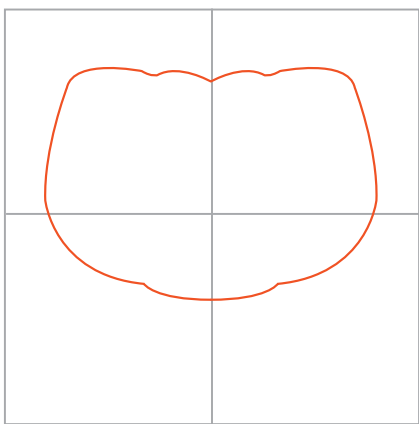
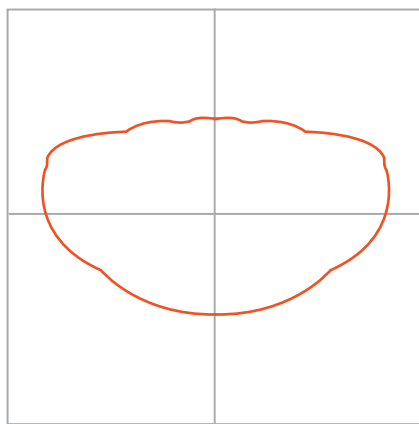
- LED system: >50,000 hours at L70
- 5 year warranty
(visit premiseled.com/warranty/)

MOUNTING CONFIGURATION EPAs

FIXTURE SIZE	SINGLE	DOUBLE @ 90	DOUBLE @ 180	TRIPLE @ 90	FOUR @ 90
80-150W	0.80	1.10	1.70	1.75	1.75
200-300W	1.44	1.70	2.85	2.90	2.90
450W	1.40	1.61	2.60	2.80	2.80
					

Note: EPA values shown include fixture and mounting arm.
Customer is responsible for engineering analysis to confirm application compatibility

OPTICAL DISTRIBUTIONS

TYPE V SQUARE (T5)	TYPE IV (T4)	TYPE III (T3)
		

ORDERING INFORMATION (TYPE V)

INPUT VOLTAGE	POWER (W)	CCT (K)	MODEL NUMBER	DELIVERED LUMENS (lm)	EFFICACY (lm/W)	BUG RATING	DLC PREMIUM
120-277V	80W	4K	FL4-804T5-1	11,137 lm	135 lm/W	B3-U2-G3	PFEIEQEY
	100W	4K	FL4-1004T5-1	14,098 lm	136 lm/W	B4-U3-G2	PHK5LG00
	150W	4K	FL4-1504T5-1	20,502 lm	135 lm/W	B4-U3-G2	PP1UI4UU
	200W	4K	FL4-2004T5-1	27,836 lm	135 lm/W	B5-U3-G3	PA70JY0A
	240W	4K	FL4-2404T5-1	32,744 lm	136 lm/W	B5-U3-G5	POM0NQG6
	300W	4K	FL4-3104T5-1	40,323 lm	135 lm/W	B5-U3-G5	PL760U72
	450W	4K	FL4-4504T5-1	60,826 lm	135 lm/W	B5-U3-G5	PS91BRA3
277-480V	80W	4K	FL4-804T5-2	10,922 lm	137 lm/W	B3-U2-G3	PP2299HD
	100W	4K	FL4-1004T5-2	13,918 lm	135 lm/W	B4-U2-G3	P70U0BQE
	150W	4K	FL4-1504T5-2	20,182 lm	136 lm/W	B4-U3-G3	PO6LALYU
	200W	4K	FL4-2004T5-2	26,774 lm	136 lm/W	B5-U3-G3	PVWLFRIX
	240W	4K	FL4-2404T5-2	32,261 lm	136 lm/W	B5-U3-G3	P708AWRF
	300W	4K	FL4-3104T5-2	40,562 lm	136 lm/W	B5-U3-G4	PVXAX1JI
	450W	4K	FL4-4504T5-2	60,801 lm	135 lm/W	B5-U3-G5	PM8L3UYB

ORDERING INFORMATION (TYPE IV)









INPUT VOLTAGE	POWER (W)	CCT (K)	MODEL NUMBER	DELIVERED LUMENS (lm)	EFFICACY (lm/W)	BUG RATING	DLC PREMIUM
100-277V	80W	4K	FL4-804T4-1	11,113 lm	135 lm/W	B2-U2-G3	PHQEV692
	100W	4K	FL4-1004T4-1	13,964 lm	135 lm/W	B3-U3-G4	PTTVPUN0
	150W	4K	FL4-1504T4-1	20,885 lm	137 lm/W	B3-U3-G4	PU2H92U3
	200W	4K	FL4-2004T4-1	28,205 lm	137 lm/W	B3-U3-G5	PW80LCTA
	240W	4K	FL4-2404T4-1	32,871 lm	137 lm/W	B3-U3-G5	PBL0H1PK
	300W	4K	FL4-3104T4-1	40,421 lm	135 lm/W	B4-U3-G5	PTVD0F1N
	450W	4K	FL4-4504T4-1	61,183 lm	135 lm/W	B5-U3-G5	P7PECLH0
277-480V	80W	4K	FL4-804T4-2	10,977 lm	137 lm/W	B2-U2-G3	PWKI2D07
	100W	4K	FL4-1004T4-2	13,944 lm	135 lm/W	B3-U3-G4	PY436MW8
	150W	4K	FL4-1504T4-2	20,022 lm	135 lm/W	B3-U3-G4	PG9YDLRJ
	200W	4K	FL4-2004T4-2	26,541 lm	135 lm/W	B3-U3-G5	PNZV2YXE
	240W	4K	FL4-2404T4-2	32,370 lm	137 lm/W	B3-U3-G5	P6AT6XVR
	300W	4K	FL4-3104T4-2	40,326 lm	135 lm/W	B4-U3-G5	PV2X7TGU
	450W	4K	FL4-4504T4-2	61,637 lm	136 lm/W	B5-U3-G3	PNH1WBQQ

ORDERING INFORMATION (TYPE III)

INPUT VOLTAGE	POWER (W)	CCT (K)	MODEL NUMBER	DELIVERED LUMENS (lm)	EFFICACY (lm/W)	BUG RATING	DLC PREMIUM
100-277V	80W	4K	FL4-804T3-1	11,145 lm	135 lm/W	B3-U2-G3	PFGSNX60
	100W	4K	FL4-1004T3-1	14,192 lm	137 lm/W	B3-U2-G3	P167H8XE
	150W	4K	FL4-1504T3-1	20,741 lm	136 lm/W	B3-U3-G3	PHJY96M8
	200W	4K	FL4-2004T3-1	27,941 lm	135 lm/W	B4-U3-G4	P95PKX4E
	240W	4K	FL4-2404T3-1	33,004 lm	137 lm/W	B4-U3-G4	P3LCTWGG
	300W	4K	FL4-3104T3-1	40,382 lm	135 lm/W	B4-U3-G5	P86NAQRC
	450W	4K	FL4-4504T3-1	61,906 lm	137 lm/W	B5-U3-G5	PUZPIODG
277-480V	80W	4K	FL4-804T3-2	10,833 lm	135 lm/W	B3-U2-G3	PA3NT0JP
	100W	4K	FL4-1004T3-2	14,126 lm	137 lm/W	B3-U3-G3	PMTGETGA
	150W	4K	FL4-1504T3-2	20,062 lm	135 lm/W	B3-U3-G4	P5KM006J
	200W	4K	FL4-2004T3-2	26,534 lm	135 lm/W	B3-U3-G3	POF5FHBS
	240W	4K	FL4-2404T3-2	32,459 lm	137 lm/W	B4-U3-G4	PR6A2T9P
	300W	4K	FL4-3104T3-2	40,265 lm	135 lm/W	B4-U3-G4	PBHGOT2V
	450W	4K	FL4-4504T3-2	61,528 lm	136 lm/W	B5-U3-G5	PPTW41BP





OPTIONAL ACCESSORIES

MOUNTING ACCESSORIES

IMAGE	DESCRIPTION	MODEL NUMBER
	Mounting Arm for FL4-Series Area/Flood Lights	FL-MA4
	Slip Fitter for FL4-Series Area/Flood Lights	FL-SF4
	Trunnion Mount for FL4-Series Area/Flood Lights	FL-TR4
	Yoke Mount for FL4-Series Flood Lights	FL-YK4 (80W to 300W models)
	Yoke Mount for FL4-Series Flood Lights	FL-YK4504 (450W models)
	Glare Shield for FL4-Series Area/Flood Light	FL-SHIELD14 (80W-150W models only)
	Glare Shield for FL4-Series Area/Flood Light	FL-SHIELD24 (200W-300W models only)
	Glare Shield for FL4-Series Area/Flood Light	FL-SHIELD34 (450W models only)

Note: See Light Pole Adapters and Brackets section for additional mounting options.

SENSOR ACCESSORIES

IMAGE	DESCRIPTION	MODEL NUMBER	FACTORY-INSTALLED CODE
	<p>Microwave Motion Sensor Sensor parameters set by DIP switch, no remote available. Dimming control. Detection from 15ft up to 48ft mounting height, 360° pattern. IP65 rated cover. 120-277V input. No daylight function, photocells ordered separately. (80W-300W models). Factory installed.</p>	-	M6
	<p>Microwave Motion Sensor Sensor parameters set by DIP switch, no remote available. Dimming control. Detection from 15ft up to 48ft mounting height, 360° pattern. IP65 rated cover. 120-277V input. No daylight function, photocells ordered separately. (450W models). Factory installed.</p>	-	M7
	<p>Photocell Sensor Stem Mount Swivel Photocell, 120V, FL4 Area/Flood Light. Used with FL-MA4 or FL-SF4 mounts only. Order separately or factory install.</p>	PC1-TPT-1	P1
	<p>Photocell Sensor Stem Mount Swivel Photocell, 347V, FL4 Area/Flood Light. Used with FL-MA4 or FL-SF4 mounts only. Order separately or factory install.</p>	ST347	P3

PACKING INFORMATION									
MODEL	CASE QUANTITY			PALLET QUANTITY					
80W	CASE OF 1			57					
100W	CASE OF 1			57					
150W	CASE OF 1			57					
200W	CASE OF 1			34					
240W	CASE OF 1			50					
300W	CASE OF 1			36					
450W	CASE OF 1			27					

ELECTRICAL INFORMATION									
INPUT VOLTAGE	POWER (W)	APPARENT POWER (VA)	SYSTEM POWER (W)	CURRENT DRAW AT 120V _{ac}	CURRENT DRAW AT 208V _{ac}	CURRENT DRAW AT 240V _{ac}	CURRENT DRAW AT 277V _{ac}	CURRENT DRAW AT 347V _{ac}	CURRENT DRAW AT 480V _{ac}
100-277V	80W	81.5VA	91.0W	0.672A	0.437A	0.348A	0.292A	-	-
	100W	103.5VA	103.0W	0.835A	0.530A	0.434A	0.370A	-	-
	150W	153.5VA	151.7W	1.250A	0.810A	0.630A	0.553A	-	-
	200W	204.1VA	205.8W	1.660A	0.870A	0.871A	0.744A	-	-
	240W	247.5VA	239.9W	1.932A	1.071A	1.009A	0.864A	-	-
	300W	301.4VA	298.2W	2.501A	1.431A	1.247A	1.091A	-	-
	450W	452.3VA	449.1W	3.800A	2.100A	1.900A	1.650A	-	-
277-480V	80W	83.2VA	71.5W	-	-	-	0.257A	0.206A	0.175A
	100W	102.5VA	92.3W	-	-	-	0.400A	0.260A	0.220A
	150W	150.4VA	148.2W	-	-	-	0.550A	0.390A	0.350A
	200W	200.5VA	196.0W	-	-	-	0.750A	0.520A	0.550A
	240W	242.8VA	235.9W	-	-	-	0.900A	0.630A	0.550A
	300W	300.6VA	296.5W	-	-	-	1.093A	0.879A	0.669A
	450W	455.0VA	449.2W	-	-	-	1.650A	1.180A	0.950A

*Based on operation at 4000K & 120V Type 5.

INPUT VOLTAGE	POWER(W)	INRUSH CURRENT (A)	DRIVER SURGE PROTECTION
100-277V	80W	80A/180A	L/N-PE: 10kV, L-N: 6kV
	100W	100A/160A	
	150W	60A/125A	
	200W	60A/125A	
	240W	60A/130A	
	300W	140A	
	450W	50A	
INPUT VOLTAGE	POWER (W)	INRUSH CURRENT (A)	DRIVER SURGE PROTECTION
277-480V	80W	30A/55A	L/N-PE: 10kV, L-N: 6kV
	100W	30A/55A	
	150W	50A/90A	
	200W	60A/125A	
	240W	50A/90A	
	300W	90A	
	450W	50A	L/N-PE: 10kV, L-N: 10kV