



## FL Flood Light

### FEATURES

- Low profile and versatile lightweight design
- Standard with yoke mount for easy out-of-the-box installation; ready for most applications
- Easily mounts to waterproof J-Box wall, pole, or tenon
- Includes standard photocell for dusk-to-dawn functionality
- PowerSet feature allows for multiple “set and forget” lumen stops in each fixture
- FieldCCeT feature allows for multiple “set and forget” CCT options in each fixture

### CERTIFICATIONS

- UL Certified for US & Canada
- RoHS Compliant
- FCC Compliant
- IP65 Rated
- DesignLights Consortium® Premium Qualified - meets the requirements for the highest DLC qualification for efficacy and lumen maintenance

### PERFORMANCE

- Rated lifetime:
  - L70: >50,000 hours
- 3,150 lm @ 30W
- 5,250 lm @ 50W
- 13,000 lm @ 100W
- 19,500 lm @ 150W
- PowerSet: 19,500/13,000/10,400 lm @ 150/100/80W
- 5000K CCT
- FieldCCeT: 50/40/3000K
- CRI: >70

### ELECTRICAL

- Input voltage: 120-277V
- 0-10V dimming
- Driver efficiency: >85%
- Power Factor: >0.9
- THD: <20%
- Surge Protection:
  - FL1/FL2: 2KV
  - FL3/FL4: 4KV

### THERMAL

- -40°F to 104°F (-40°C to 40°C) operating temperature

### CONSTRUCTION

- Aluminum construction with durable powder coating
- Impact-resistant glass lens
- Standard G ½ base for Knuckle Accessory

### WARRANTY

- 5 Year limited warranty available [online](#). Contact your EiKO sales rep for additional details.

project name	type
catalog number	voltage
approved by	date



**FLOOD LIGHT**  
with standard yoke (bracket included)

### OPTIONAL ACCESSORIES



**KNUCKLE**  
for FL1 and FL2



**TRUNNION**  
for FL3 and FL4



**SLIPFITTER**  
for FL3 and FL4



### APPLICATIONS

- Exterior perimeters
- Pathways
- Building facades
- Parking lots
- Parking garages
- Athletic fields
- Campuses
- Exterior security lighting
- Entryways

## AVAILABLE MODELS

ORDER	ORDER CODE	ITEM #	WATTS	CCT	LUMENS	EFFICACY (lm/W)	DIMMING	VOLTAGE	TRADITIONAL WATTAGE EQUIVALENT	DLC
										PREMIUM
	12334	FL1/30W/7FCCT/UD/Y/PC	30W	30/40/5000K	3900 lm	130 lm/W	0-10V	120-277V	Up to 70W HID	POTPXFV
	12335	FL2/50W/7FCCT/UD/Y/PC	50W	30/40/5000K	6500 lm	130 lm/W	0-10V	120-277V	Up to 100W HID	PK21RMMQ
	12336	FL3/100W/7FCCT/UD/Y/PC	100W	30/40/5000K	13,000 lm	130 lm/W	0-10V	120-277V	Up to 250W HID	PY8XY3W
	12338	FL3/100W/750/UD/Y/PC	100W	5000K	13,000 lm	130 lm/W	0-10V	120-277V	Up to 360W HID	POTQ4SIX
	12337	FL4/PS150/7FCCT/UD/Y/PC	150/100/80W	30/40/5000K	19,500/13,000/10,400 lm	130 lm/W	0-10V	120-277V	Up to 250W HID	P0E2LV17
	12339	FL4/150W/750/UD/Y/PC	150W	5000K	19,500 lm	130 lm/W	0-10V	120-277V	Up to 360W HID	PMCUPYT8

**Note:** FieldCCT ships at 5000K; PowerSet ships at highest wattage

### MODEL CONFIGURATOR

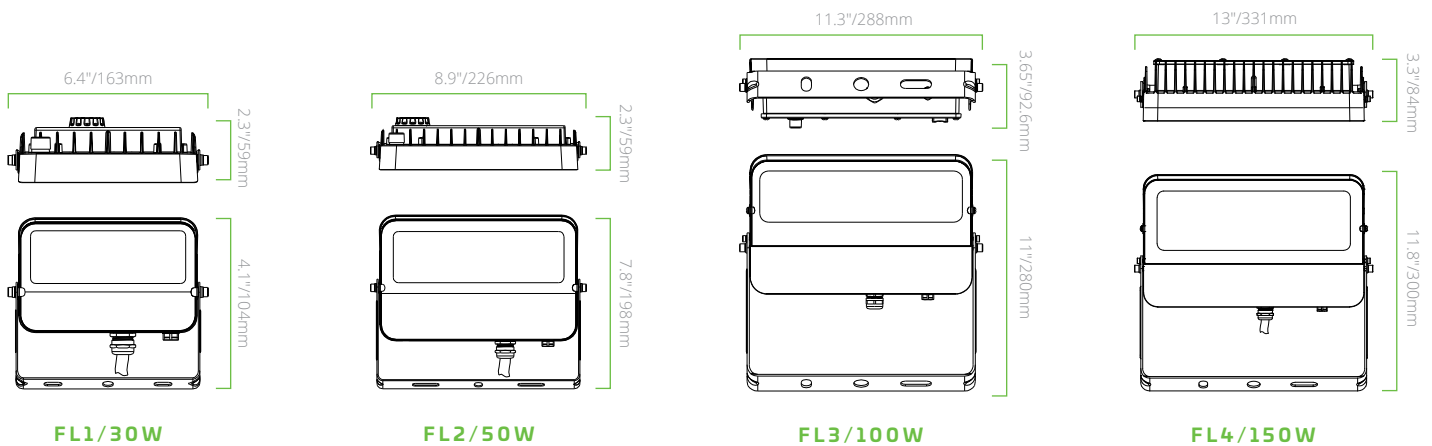
MODEL	-	WATTS	-	CRI/CCT	-	VOLTAGE AND DIMMING	-	MOUNT	-	PHOTOCELL
	-		-		-	<b>UD</b>	-	<b>Y</b>	-	<b>PC</b>

EXAMPLE PART NUMBER: FL3/100W/750/UD/Y/PC

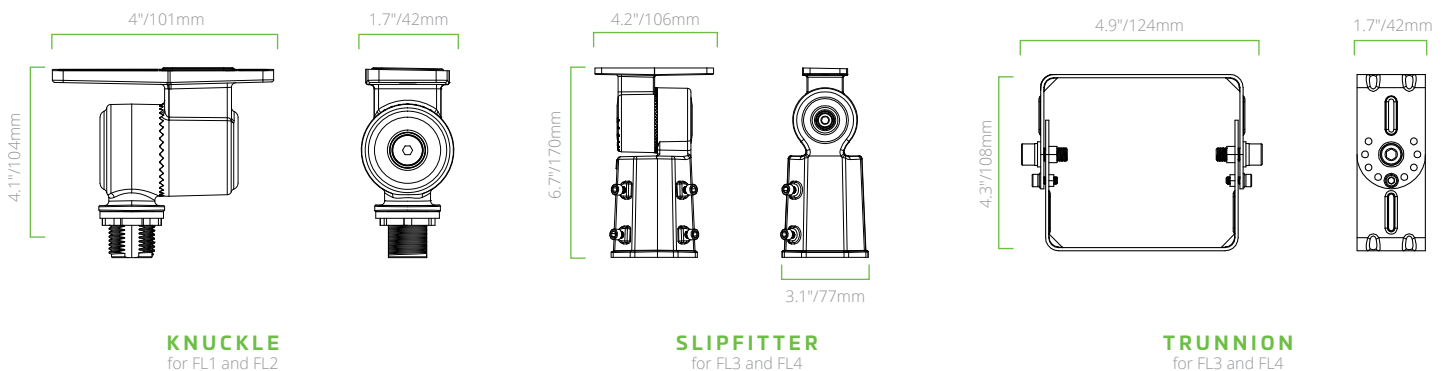
## ACCESSORIES

ORDER	ORDER CODE	ITEM #	DESCRIPTION
	12341	FL1/2-KACC	Flood Light, Knuckle for FL1 and FL2
	12340	FL3/4-TACC	Flood Light, Trunnion for FL3 and FL4
	12342	FL3/4-SACC	Flood Light, Slipfitter for FL3 and FL4

## PRODUCT DIMENSIONS

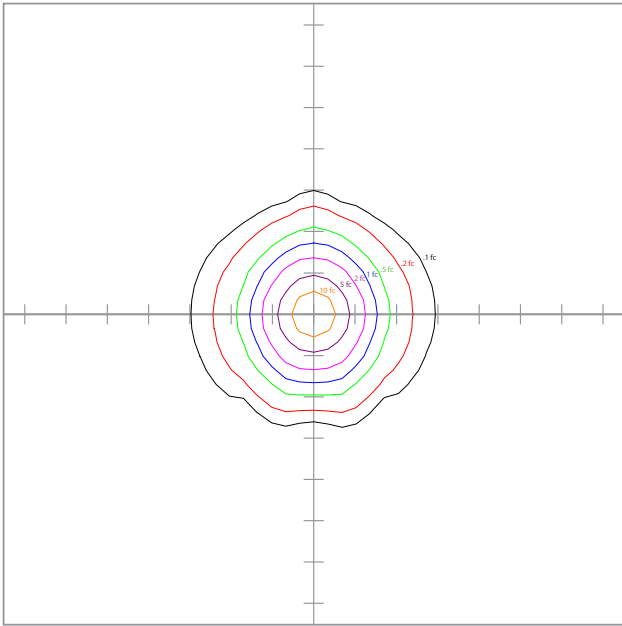


## ACCESSORY DIMENSIONS

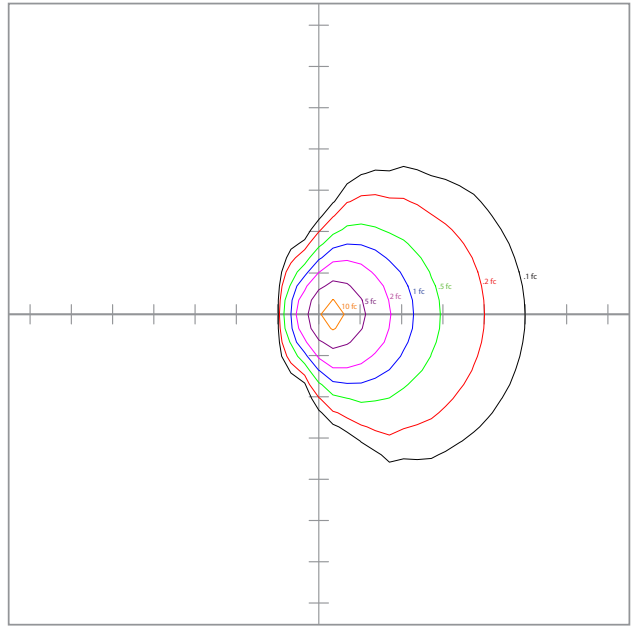


# DISTRIBUTION

## FLOOD LIGHT 30W (Typical performance @ 5000K)



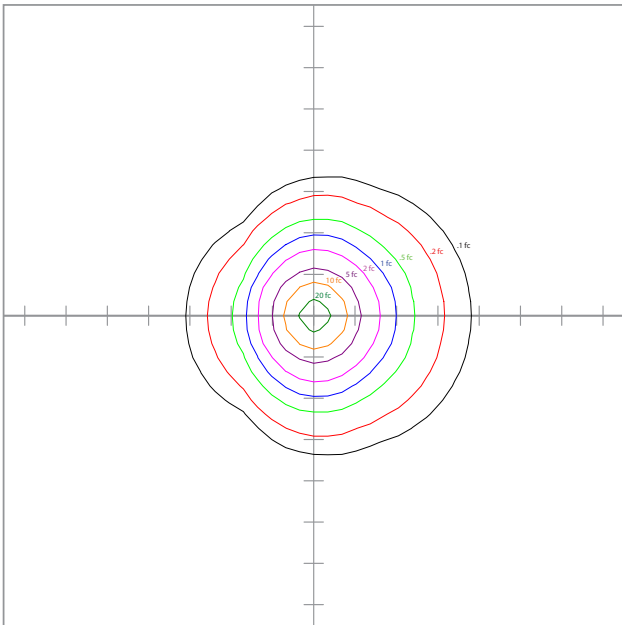
LUMINAIRE TILTED AT 0°



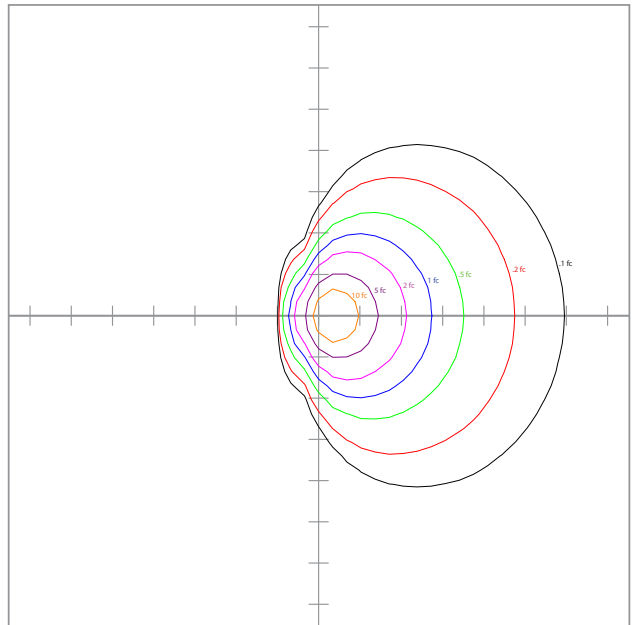
LUMINAIRE TILTED AT 45°

Distances are in units of mounting height (20').

## FLOOD LIGHT 50W (Typical performance @ 5000K)



LUMINAIRE TILTED AT 0°

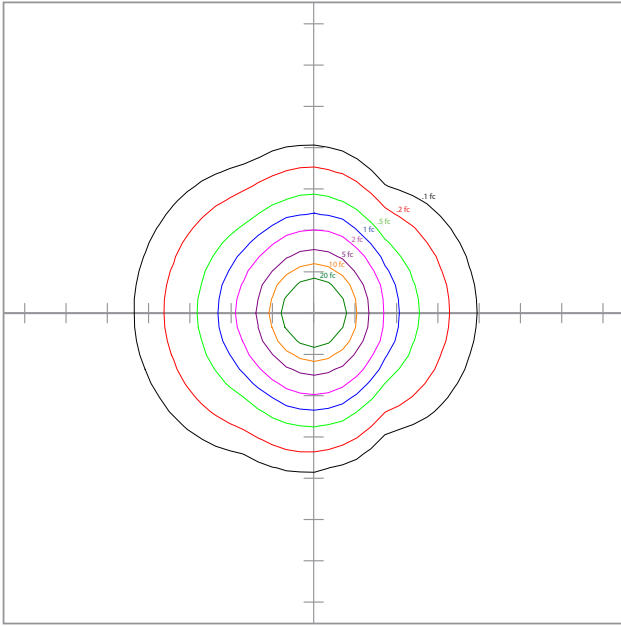


LUMINAIRE TILTED AT 45°

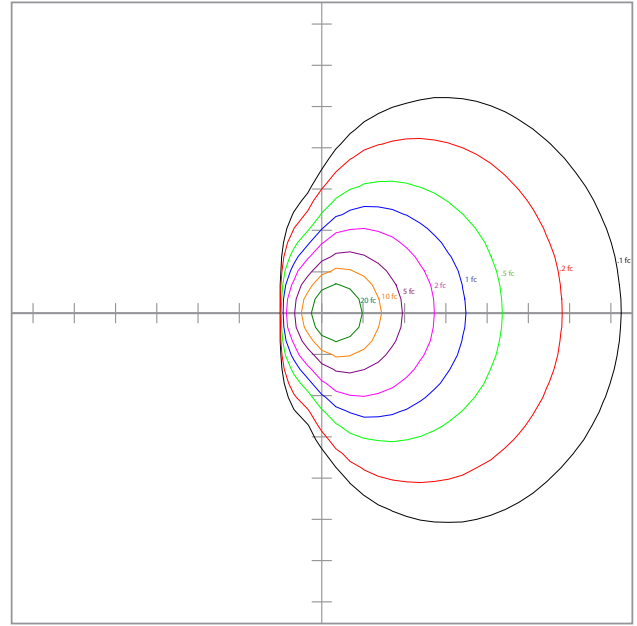
Distances are in units of mounting height (20').

# DISTRIBUTION

## FLOOD LIGHT 100W (Typical performance @ 5000K)



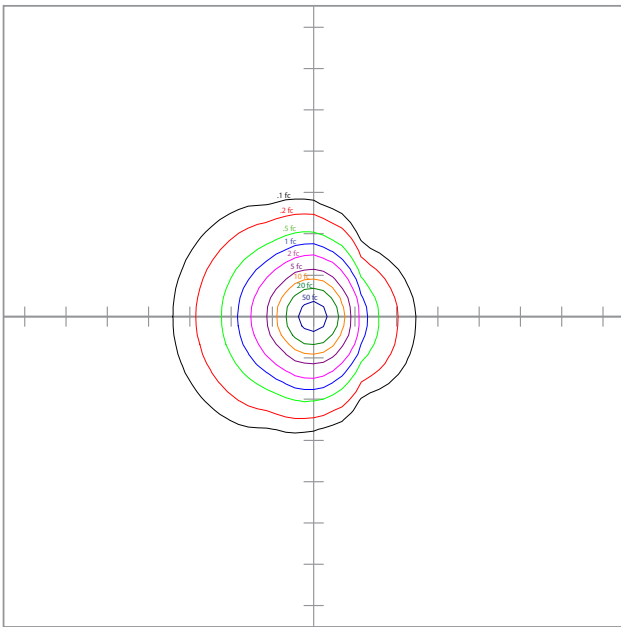
LUMINAIRE TILTED AT 0°



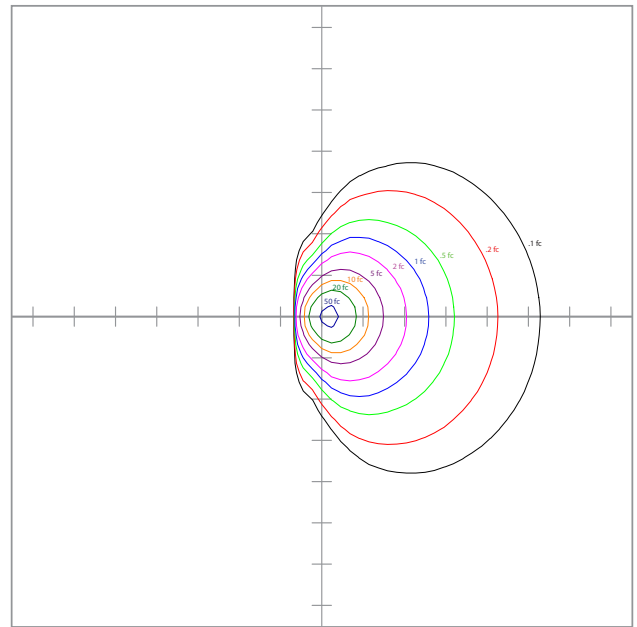
LUMINAIRE TILTED AT 45°

Distances are in units of mounting height (20').

## FLOOD LIGHT 150W (Typical performance @ 5000K)



LUMINAIRE TILTED AT 0°



LUMINAIRE TILTED AT 45°

Distances are in units of mounting height (20').