



VRT VERT Area and Site Light

FEATURES

- Modern, low-profile design
- Easy installation
- 12,500-57,300 lumens
- Multiple mounting options available for versatile use
- Polycarbonate TIR optics
- Z10 enabled to simplify controls
- Designed for use with EiKO's aluminum or steel poles; contact EiKO for package pricing

CERTIFICATIONS

- UL Listed for wet locations
- IP65 Rated
- DesignLights Consortium® Premium Qualified - meets the requirements for the highest DLC qualification for efficacy and lumen maintenance
- 3G Rated per ANSI C136.31

PERFORMANCE

- Rated lifetime:
 - L70: 50,000 hours
 - L90: 36,000 hours
- 3000K*, 4000K, 5000K CCT
- CRI: >70

ELECTRICAL

- Input voltage: 120-277V; 277-480V
- 0-10V dimming
- Power Factor: >0.9
- THD: <20%
- 10kV driver, plus 10kV supplemental surge protection

THERMAL

- -40°F to 122°F (-40°C to 50°C) operating temperature

CONSTRUCTION

- Diecast aluminum body with durable powder coat finish
- UV stabilized polycarbonate lens
- Stainless steel hardware
- Z10 included on all fixtures

WARRANTY

- 5 year limited warranty. Additional warranty options available. Contact EiKO for details

project name	type
catalog number	voltage
approved by	date



VRT1



VRT2



VRT3

APPLICATIONS

- Parking Areas
- Automotive Dealerships
- Roadways
- Campuses
- Streetscapes
- Airports
- Area security lighting
- Building facades
- Signs
- Entryways

CONFIGURATOR

MODEL	LUMEN PACKAGE	CCT	VOLTAGE	DIMMING	DISTRIBUTION	FINISH	CONTROLS	MOUNT (REQUIRED)
VRT1 : VERT 100-150W	100W - 100W; 12,500 lm 150W - 150W; 19,700 lm	730* - 70 CRI; 3000K	U - 120-277V V - 277-480V	D - 0-10V Dimming	T3 - Type 3 T5 - Type 5	BZ - Bronze	See p. 2 for options	VRT-S-BZ - Slipfitter, 2-3/8", Bronze VRT-D-BZ - Direct Mount, Bronze VRT-Y-BZ - Yoke Mount, Bronze
VRT2 : VERT 185-300W	185W - 185W; 24,000 lm 200W - 200W; 26,000 lm 240W - 240W; 31,000 lm 300W - 300W; 39,400 lm	740 - 70 CRI; 4000K 750 - 70 CRI; 5000K						
VRT3 : VERT 450W	450W - 450W; 57,300 lm							

*3000K model is a Special Order item, contact Regional Sales Manager for details)



PERFORMANCE SUMMARY

ORDER CODE	ITEM #	WATTS	NOMINAL LUMENS	CCT	DISTRIBUTION	DIMMING	VOLTS	REPLACES	DLC PREMIUM
11636	VRT1/100W/740/JD/T3/BZ	100W	12,500	4000K	T3	0-10V	120-277V	up to 320W	✓
11637	VRT1/100W/740/JD/T5/BZ	100W	12,500	4000K	T5	0-10V	120-277V	up to 320W	✓
11638	VRT1/100W/750/JD/T3/BZ	100W	12,500	5000K	T3	0-10V	120-277V	up to 320W	✓
11672	VRT1/100W/750/JD/T5/BZ	100W	12,500	5000K	T5	0-10V	120-277V	up to 320W	✓
11667	VRT1/150W/740/JD/T3/BZ	150W	19,700	4000K	T3	0-10V	120-277V	up to 400W	✓
11662	VRT1/150W/740/JD/T5/BZ	150W	19,700	4000K	T5	0-10V	277-480V	up to 400W	✓
11665	VRT2/185W/740/JD/T5/BZ	185W	24,000	4000K	T5	0-10V	120-277V	up to 400W	✓
11647	VRT2/200W/740/JD/T3/BZ	200W	26,000	4000K	T3	0-10V	277-480V	up to 400W	✓
11654	VRT2/200W/740/JD/T5/BZ	200W	26,000	4000K	T5	0-10V	277-480V	up to 400W	✓
11650	VRT2/200W/750/JD/T3/BZ	200W	26,000	5000K	T3	0-10V	277-480V	up to 400W	✓
11652	VRT2/240W/740/JD/T3/BZ	240W	31,000	4000K	T3	0-10V	120-277V	up to 400W	✓
11664	VRT2/240W/740/JD/T5/BZ	240W	31,000	4000K	T5	0-10V	120-277V	up to 400W	✓
11645	VRT2/300W/740/JD/T3/BZ	300W	39,400	4000K	T3	0-10V	120-277V	up to 1000W	✓
11669	VRT2/300W/750/JD/T5/BZ	300W	39,400	5000K	T5	0-10V	277-480V	up to 1000W	✓
11935	VRT3/450W/740/JD/T3/BZ	450W	57,300	4000K	T3	0-10V	277-480V	up to 1200W	✓
11644	VRT3/450W/750/JD/T5/BZ	450W	57,300	5000K	T5	0-10V	120-277V	up to 1200W	✓
12963	VRT1/150W/740/JD/T5/BZ-PCR7	150W	19,700	4000K	T5	0-10V	120-277V	up to 400W	✓
14127	VRT2/185W/740/JD/T3/BZ-PCR7	185W	24,000	4000K	T3	0-10V	120-277V	up to 400W	✓
14198	VRT2/300W/750/JD/T3/BZ-PCR7	300W	39,400	5000K	T3	0-10V	277-480V	up to 1000W	✓

MOUNTING ACCESSORIES (MUST BE ORDERED WITH FIXTURE)

10162	VRT-S-BZ	Slipfitter Mount for VERT, 2 3/8", Bronze
10135	VRT-D-BZ	Direct Mount for VERT, Bronze
10134	VRT-Y-BZ	Yoke Mount for VERT, Bronze

PHOTOCELLS

ORDER CODE	ITEM #	DESCRIPTION	FACTORY INSTALLED CODE
10204	LED4537SC	3-pin NEMA Twist-lock Premium Photocell LED4537SC, 347-480V, 2A, 12-year Warranty.	PC4
14947	JL-205C	3-pin NEMA Twist-lock Photocell, 120-277V, 5A and 120W+ only, 2-year Warranty.	PC6
14948	JL-207C	3-pin NEMA Twist-lock Photocell, 120-277V, 5A, 5-year Warranty.	PC7
14949	JL-207F	3-pin NEMA Twist-lock Photocell, 120-480V, 5A, 5-year Warranty.	PC8
801337	JL-242C	5-pin NEMA Twist-lock Photocell, 0-10V Dimmable, 120-277V, 5A, 5-year Warranty.	PC9
801338	JL-242F	5-pin NEMA Twist-lock Photocell, 0-10V Dimmable, 347-480V, 2A, 5-year Warranty.	PC10

*** NOTE:** PC4-P10 comes with a NEMA 7-pin receptacle allowing for the photocell to be added or replaced in the field. If using NEMA photocell along with motion sensor, motion sensor will only be activated once the photocell has been activated.

CONTROLS

ORDER CODE	ITEM #	DESCRIPTION
PLUG AND PLAY SENSORS		
13246	SENA-WZPA-WH	Newtworked PIR motion sensor with daylight threshold, Parameter set by Silvair App
13341	SENA-SZMR-WH	Standalone Microwave motion sensor with daylight threshold
13342	SENA-SZPR-WH	Standalone PIR motion sensor with daylight threshold
13344	SENA-ACT	Commissioning Tool for SEN5A

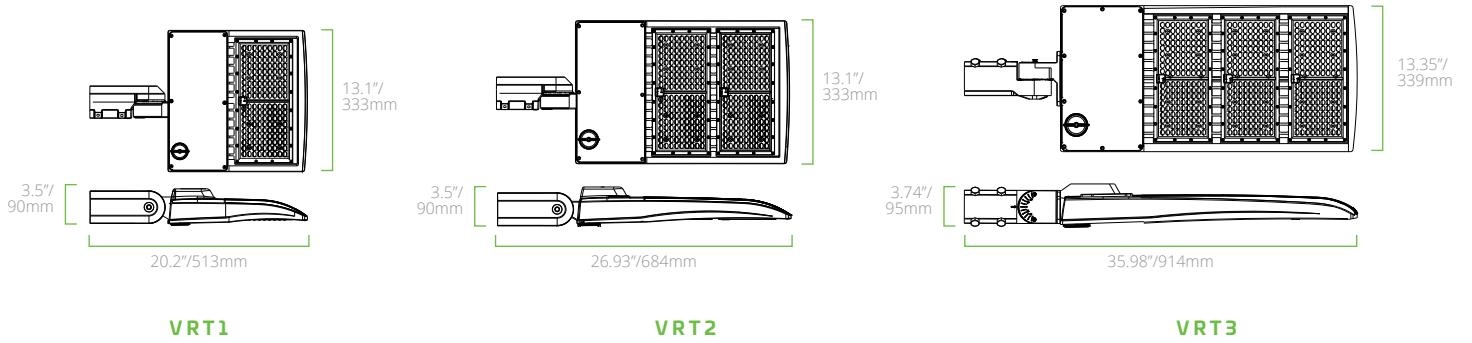
*** NOTE:** The motion sensing feature on the SENA-SZMR-WH and SEN5A-SZPR-WH can be disabled, allowing them to function solely as photocells by using the SEN5A-ACT.

POLE ADAPTORS

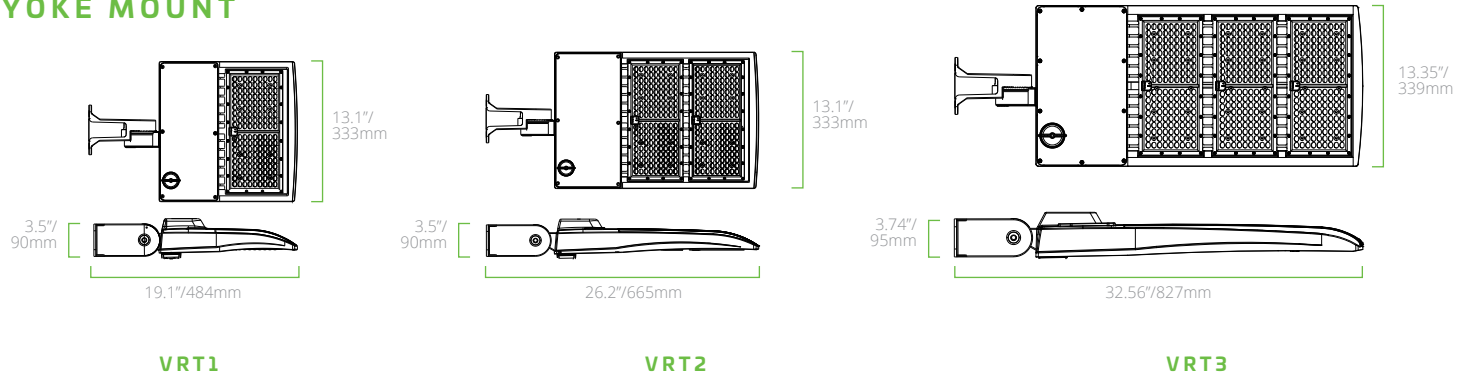
ORDER CODE	ITEM #	DESCRIPTION
SENSORS		
13931	PA1-2BH-BZ	Bullhorn, 2 Tenon Inline
13932	PA1-3BH-BZ	Bullhorn, 3 Tenon Inline

PRODUCT DIMENSIONS

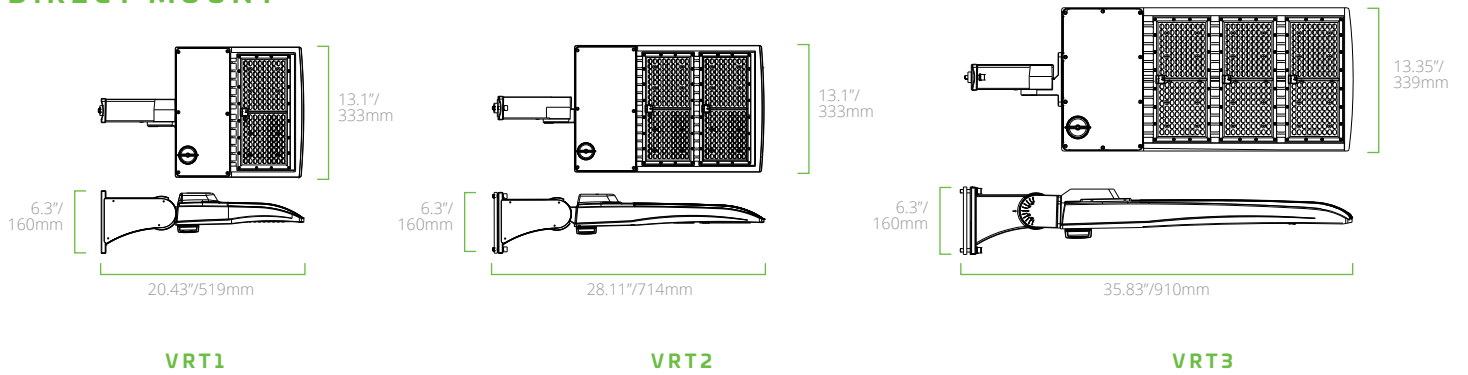
SLIPFITTER MOUNT



YOKE MOUNT



DIRECT MOUNT

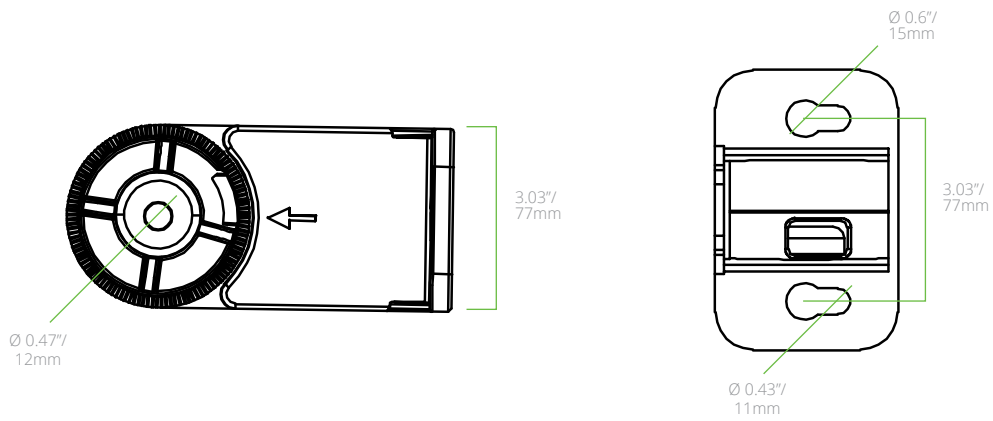


MOUNT DIMENSIONS

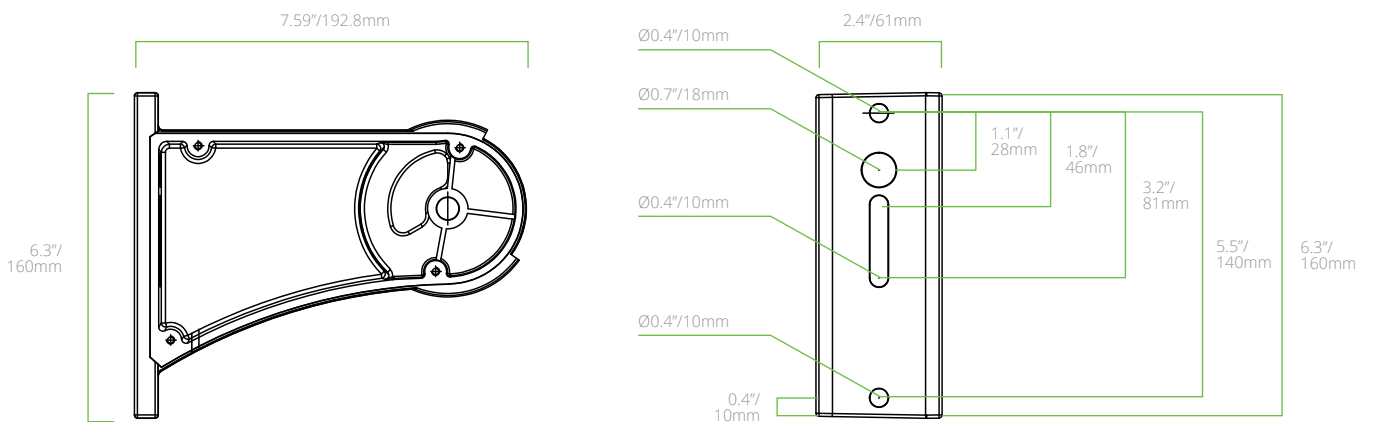
SLIPFITTER MOUNT



YOKE MOUNT

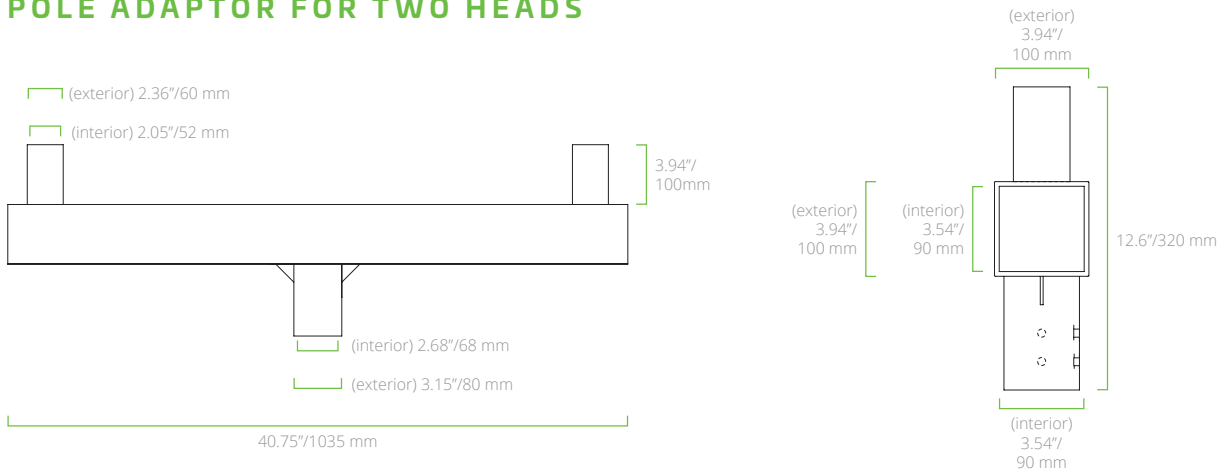


DIRECT MOUNT

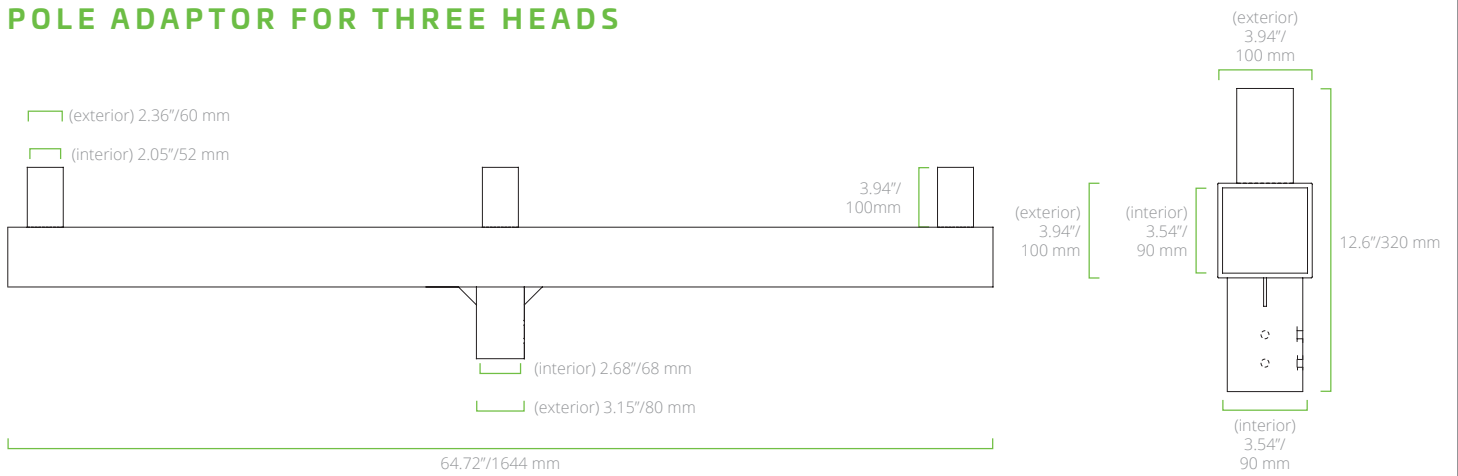


POLE ADAPTOR DIMENSIONS

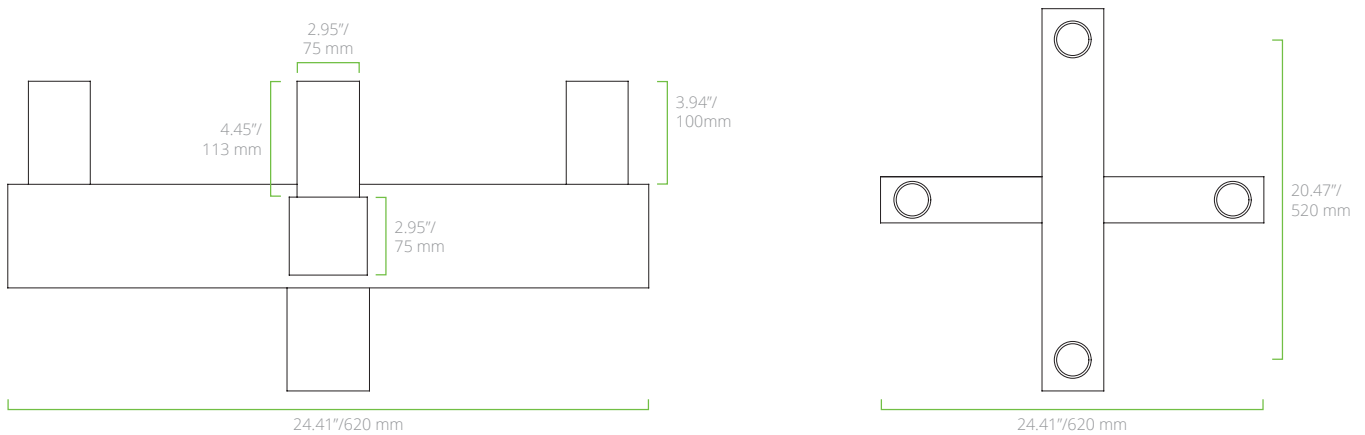
POLE ADAPTOR FOR TWO HEADS



POLE ADAPTOR FOR THREE HEADS

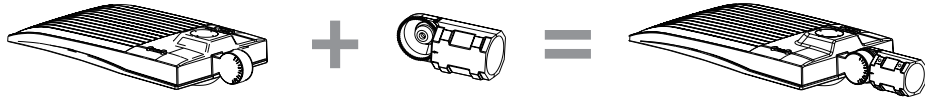


POLE ADAPTOR FOR FOUR HEADS

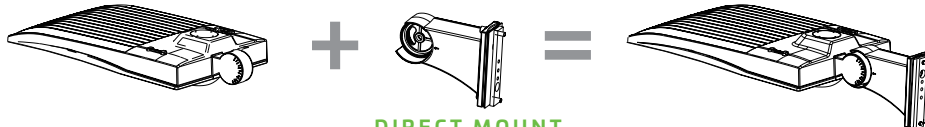


CONFIGURATIONS

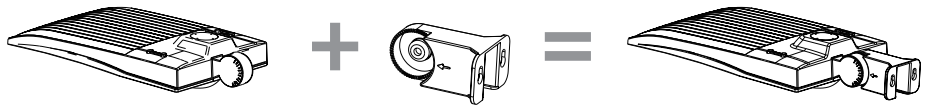
(MOUNTS ORDERED SEPARATELY AND FIELD INSTALLED)



SLIPFITTER MOUNT



DIRECT MOUNT



YOKE MOUNT

MOUNTING CONFIGURATIONS

VRT1



S Single
EPA: 0.8
Weight: 12.9 lbs.



D90 Double 90°
EPA: 0.98
Weight: 24.8 lbs.



D180 Double 180°
EPA: 1.5
Weight: 24.8 lbs.



T90 Triple 90°
EPA: 1.55
Weight: 36.7 lbs.



T90 Triple 120°
EPA: 1.55
Weight: 36.7 lbs.



Q90 Quad 90°
EPA: 1.55
Weight: 48.6 lbs.

VRT2



S Single
EPA: 1.1
Weight: 18.6 lbs.



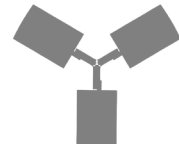
D90 Double 90°
EPA: 1.28
Weight: 36.2 lbs.



D180 Double 180°
EPA: 1.9
Weight: 36.2 lbs.



T90 Triple 90°
EPA: 2.0
Weight: 53.8 lbs.



T90 Triple 120°
EPA: 2.0
Weight: 53.8 lbs.



Q90 Quad 90°
EPA: 2.0
Weight: 69.8 lbs.

VRT3



S Single
EPA: 1.1
Weight: 18.6 lbs.



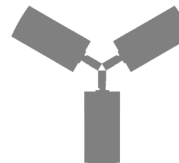
D90 Double 90°
EPA: 1.28
Weight: 36.2 lbs.



D180 Double 180°
EPA: 1.9
Weight: 36.2 lbs.



T90 Triple 90°
EPA: 2.0
Weight: 53.8 lbs.

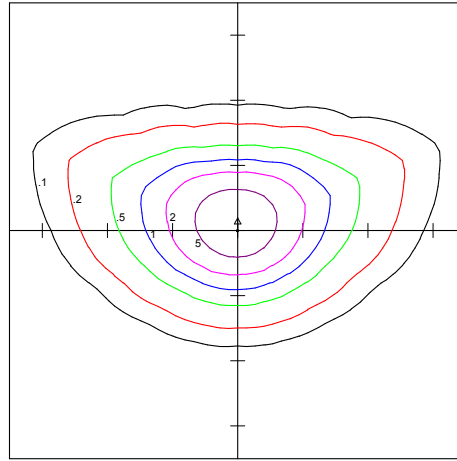


T90 Triple 120°
EPA: 2.0
Weight: 53.8 lbs.



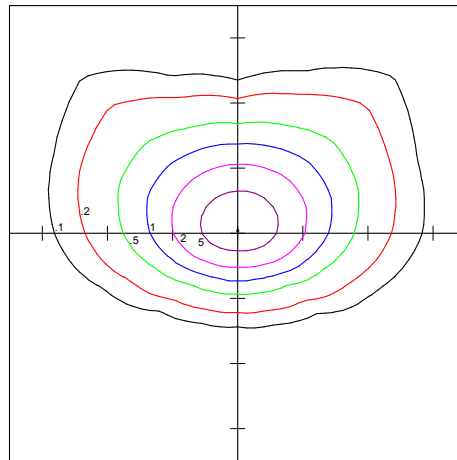
Q90 Quad 90°
EPA: 2.0
Weight: 69.8 lbs.

T3 DISTRIBUTION



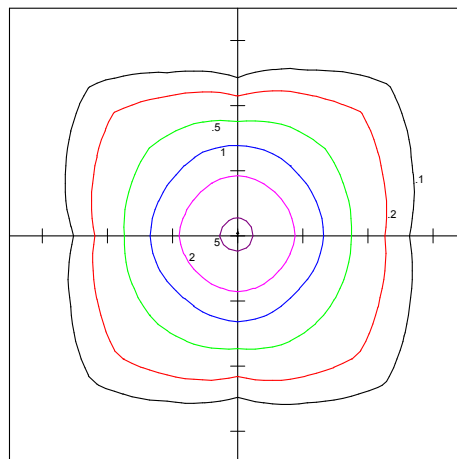
Distances are in units of mounting height (20').

T4 DISTRIBUTION



Distances are in units of mounting height (20').

T5 DISTRIBUTION



Distances are in units of mounting height (20').