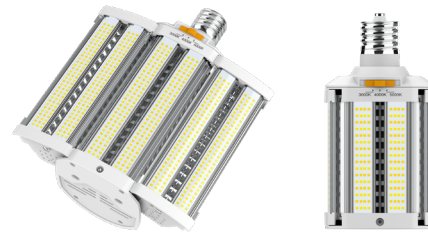




HIDSP AREA LAMP

High performance LED HID replacement delivers upto 150lm/W with field adjustable color temperature and 50,000 hours life. Designed to replace metal halide and HPS lamps, it features ballast bypass installation and an expandable swivel design for directional area and shoebox lighting.

project name	type
catalog number	voltage
approved by	date



SPECIFICATIONS

INTENDED USE

- Retrofit lamps for Metal Halide and High-Pressure Sodium
- Replace conventional 250W and 400W

CONSTRUCTION & INSTALLATION

- EX39 Mogul Base
- Fireproof Clear PC lens
- Aluminum Body for Thermal Management
- IP64 Rated
- UL Type B, Ballast Bypass
- Horizontal Orientation
- Expandable with 350° Swivel

ELECTRICAL

- Power: 80W, 110W
- Input Voltage: 120-277V, 60 Hz
- Instant On with no warmup
- Power Factor: >0.9, THD: <20%
- In-Built Surge Protection: 4kV

OPTICAL

- ColorSET: 3 CCT; adjustable via dip switch
- Lumen: Up to 16,500 lm
- Efficacy: Up to 150 lm/W
- CRI: 80+
- Beam Angle: 180°
- L80 Rated Life: up to 50,000 hours

ENVIRONMENTAL RATINGS

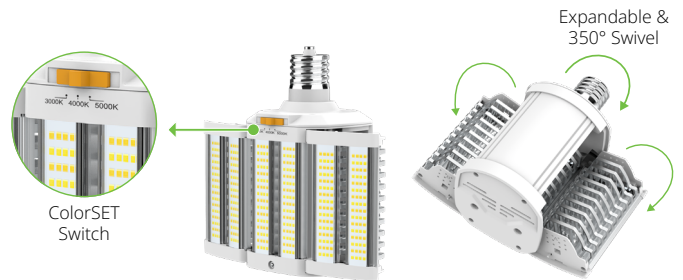
- Operating Temperature: -22°F to 113°F (-30°C to 45°C)
- Suitable for dry and damp environments
- Enclosed Fixture installation Rated

WARRANTY

- 5 Year limited warranty available [online](#). Contact your EiKO sales rep for additional details.

FEATURES

FIELD ADJUSTABLE SETTINGS



DIRECT FIT INTO TRADITIONAL METAL HALIDE AND HPS LAMPS



APPLICATIONS

- Parking Areas
- Roadways
- Area Security Lighting
- Sports fields and Stadiums
- Streetscapes
- Airports

AVAILABLE MODELS

ORDER CODE	NAME	REPLACEMENT HID (W)	WATTS (W)	LUMEN OUTPUT (LM)	CCT (K)	EFFICACY (lm/W)	CRI	BASE	DLC ID
120-277V									
16426	HIDSP-AL-110W-8FCCT-U-EX39	400W	110W	16,500	3000/ 4000 /5000K	Up to 150	80+	EX39	S-BTWY27
16427	HIDSP-AL-80W-8FCCT-U-EX39	250W	80W	11,980		Up to 150	80+	EX39	S-G71RN7

Default Setting: 4000K CCT

PERFORMANCE TABLE

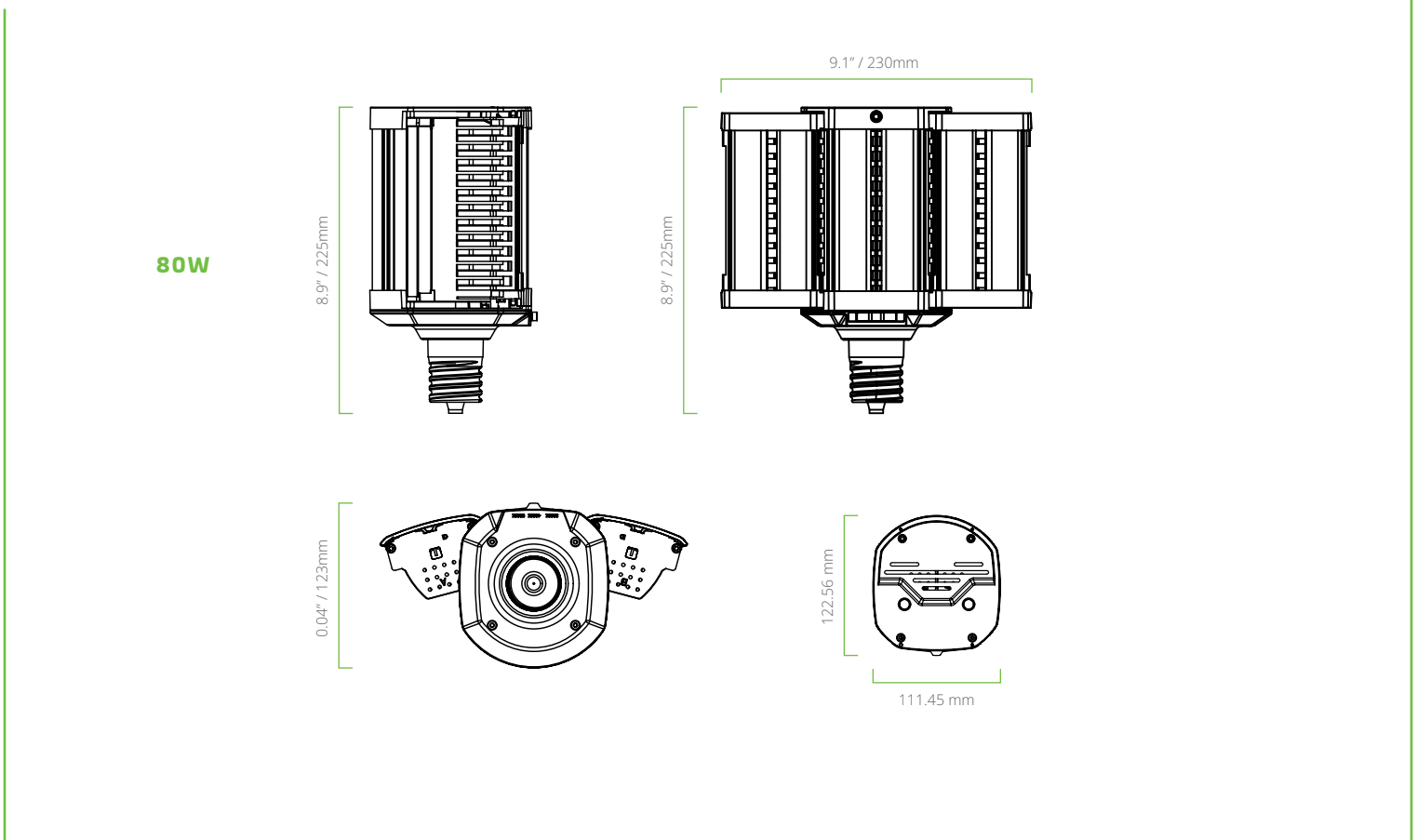
INPUT WATTAGE	3000K		4000K		5000K	
	LUMENS	LPW	LUMENS	LPW	LUMENS	LPW
110W	15,400	140	16,500	150	15,950	145
80W	11,190	140	11,980	150	11,600	145

ORDERING GUIDE

MODEL CONFIGURATOR						
MODEL	FAMILY	WATTS (W)	CRI	COLOR TEMPERATURE (K)	INPUT VOLTAGE (VAC)	LAMP BASE
HIDSP	AL		8	FCCT	U	EX39
HID Specialty Lamp	Area Lamp	Fixed Wattages 110 W 80W	8 - 80 + CRI	ColorSET - 3000/4000/5000K	U - 120-277V	EX39 - Mogul Base

EXAMPLE PART NUMBER: HIDSP-AL-110W-8FCCT-U-EX39

PRODUCT DIMENSIONS



PRODUCT DIMENSIONS

110W

